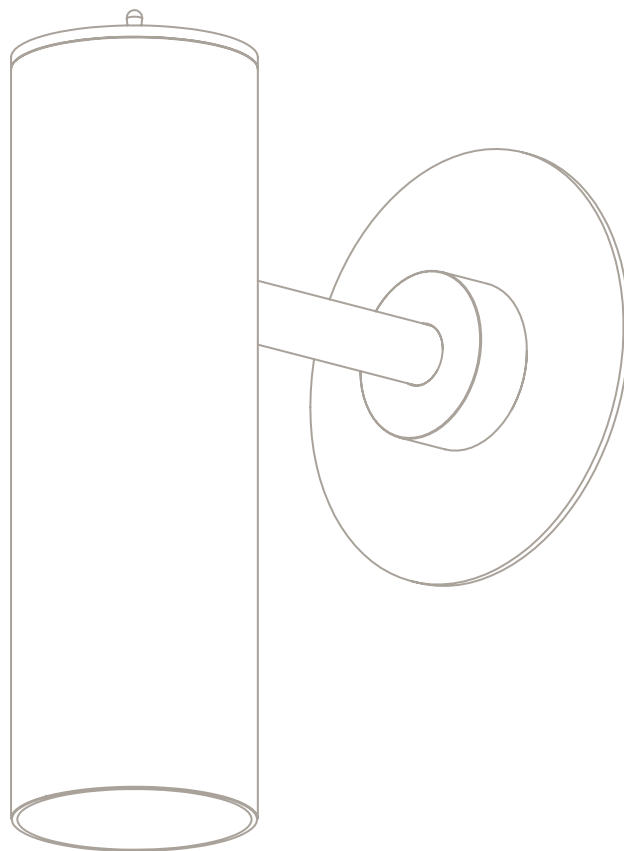


## HERON WALL

Installation Guide



!

Please handle with care and wear gloves at all times during assembly and installation to avoid damaging components.

## TECHNICAL

**Bulb Holder**  
240v - 1 x G10  
120v - 1 x G10  
(bulbs not supplied)

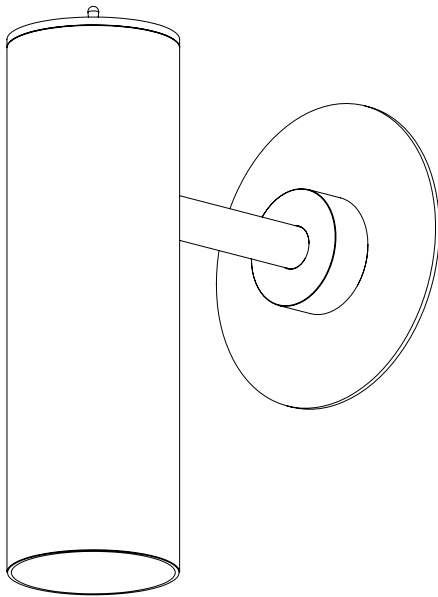
**Wattage**  
5.5w - 2700k - LED ONLY

**Weight**  
2kg (4.4lbs)

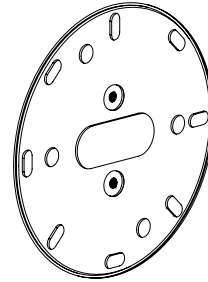
## PARTS & COMPONENTS

- A. 1 x Heron Wall
- B. 1 x Adapter plate
- C. 2 x M4 machine screws

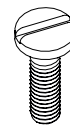
A.



B.



C.

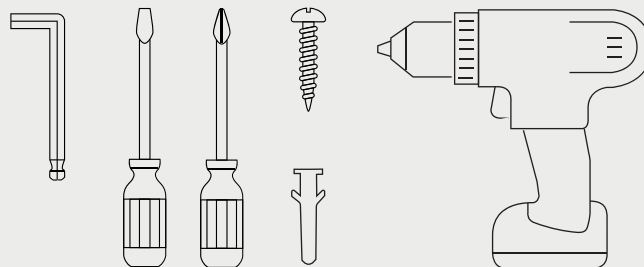


- All nuts and bolts required for the installation will be included in the delivery.



## BEFORE INSTALLATION

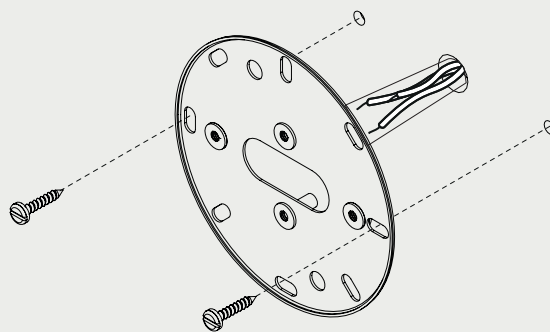
- Check that you have all components before starting the installation.
  - Installation must be carried out by a qualified electrician.
  - A minimum of two people is required to install a pendant light.
- Check that the ceiling or wall fixings are suitable and strong enough to support the weight of the light fixture.
  - You will need the below specific tools for a successful installation.



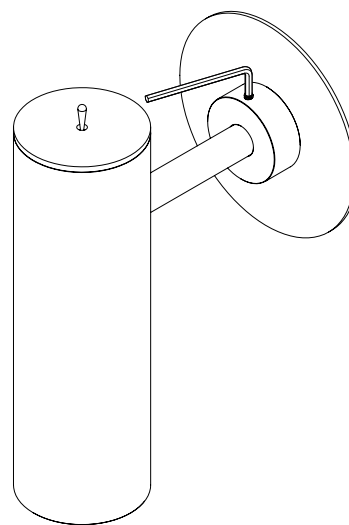
1. Fix the adapter plate to the wall using screws suitable for the surface that you are mounting to (not supplied), ensuring that the electric cable is centred with the slot in the middle of the plate and that the slot is sitting horizontally.

Please note, additional holes may need to be drilled to fit the rivet nuts on the back of the plate, allowing it to sit flush with the wall.

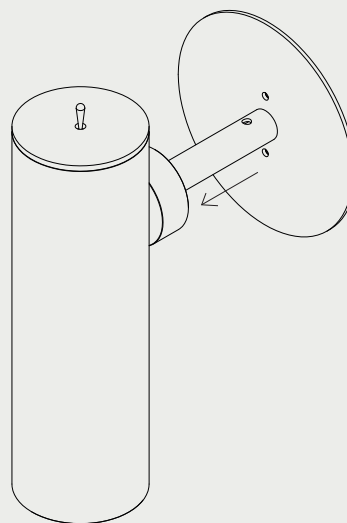
For US installation: Fix the adapter plate to the junction box.



2. Using a Hex Key, fully unscrew the small screw located on the top of the collar.

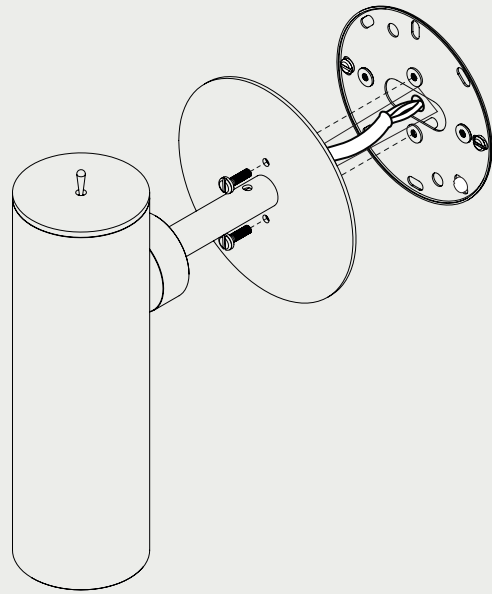


3. When the screw has been removed, slide the collar along the shroud to show the two holes on the back plate.

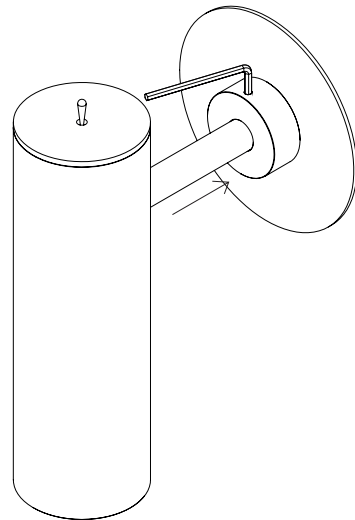


4. Bring the fitting to the wall and make the electrical connections.

Using the 2 x M4 machine screws (supplied) fix the fitting to the adapter plate, ensuring they are sitting flush with each other.



5. With the fitting securely fixed to the wall, slide the collar back into place along the shroud and replace and fully tighten the small screw to lock the collar into place.



## MAINTENANCE

### Cleaning

Dust using a dry lint-free cloth weekly or as required

### Repairs

Contact  
CTO Lighting

### Warranty

Please visit  
[www.ctolighting.co.uk/  
pages/f-a-q](http://www.ctolighting.co.uk/pages/f-a-q)  
for CTO warranty policy

### Certification

