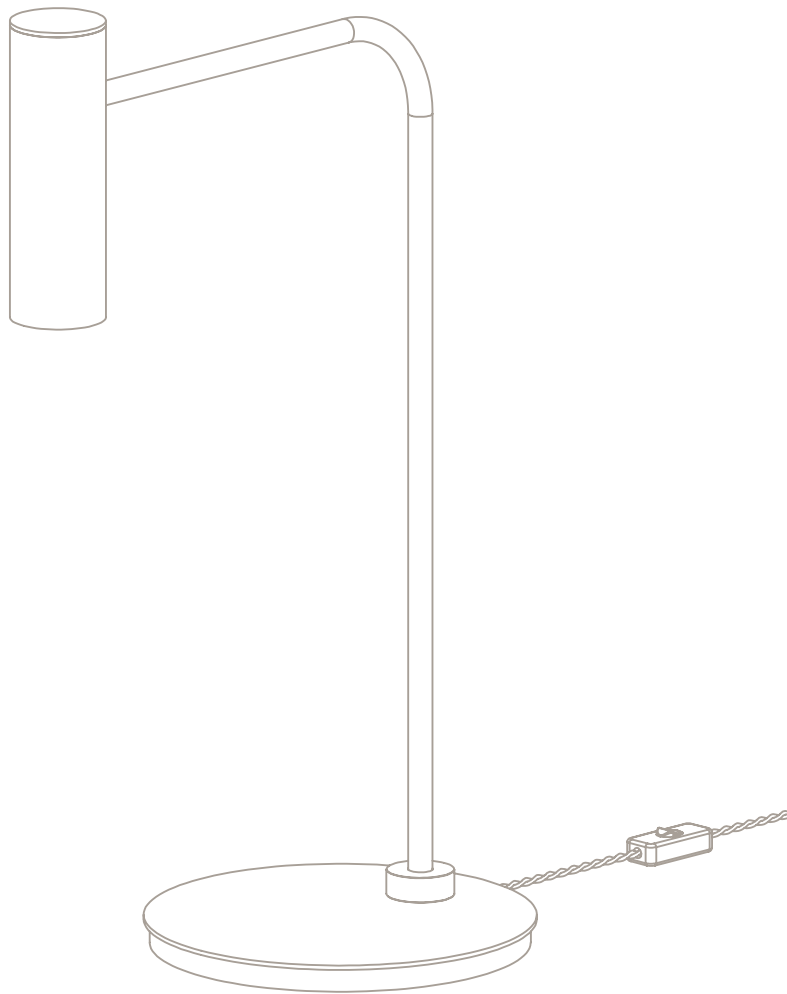


## HERON TABLE

Installation Guide



!

Please handle with care and wear gloves at all times during assembly and installation to avoid damaging components.

## TECHNICAL

**Bulb Holder**  
240v - 1 x GU10  
120v - 1 x GU10  
(bulbs not supplied)

**Wattage**  
5.5w 2700k - LED ONLY

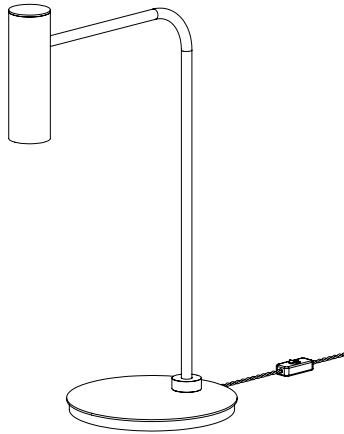
**Weight**  
6kg (13.2lbs)

## PARTS & COMPONENTS

A. 1 x Heron table base

1 x Bulb removal tool

A.



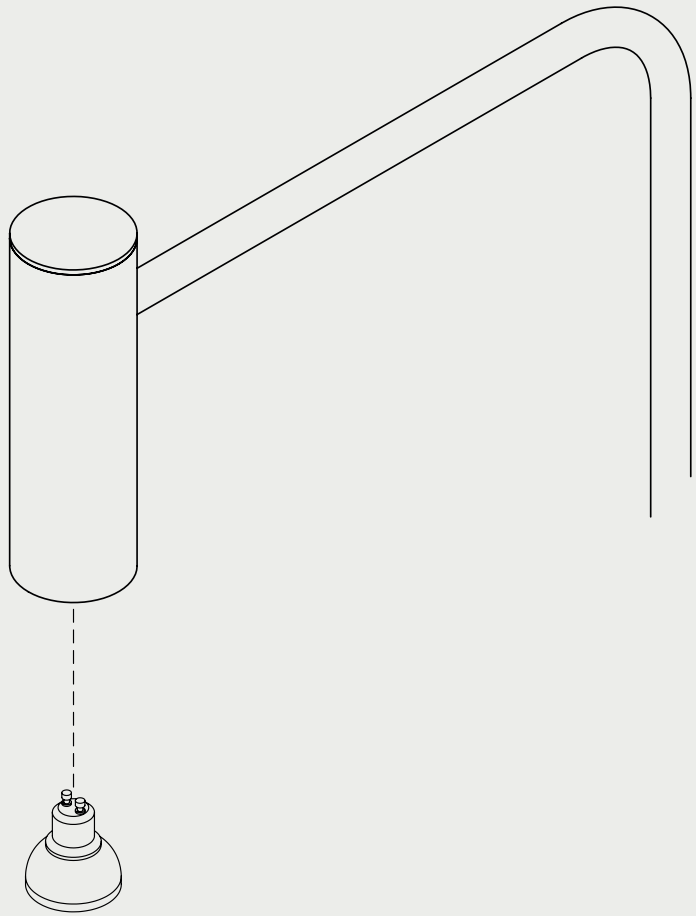
- All nuts and bolts required for the installation will be included in the delivery.



## **BEFORE INSTALLATION**

- Check that you have all components before starting assembly.
- Assembly must be carried out by a qualified electrician.

3. Fit the bulb (not supplied) using the supplied bulb removal tool.



## MAINTENANCE

### Cleaning

Dust using a dry lint-free cloth weekly or as required

### Repairs

Contact  
CTO Lighting

### Warranty

Please visit  
[www.ctolighting.co.uk/  
pages/f-a-q](http://www.ctolighting.co.uk/pages/f-a-q)  
for CTO warranty policy

### Certification



E492309