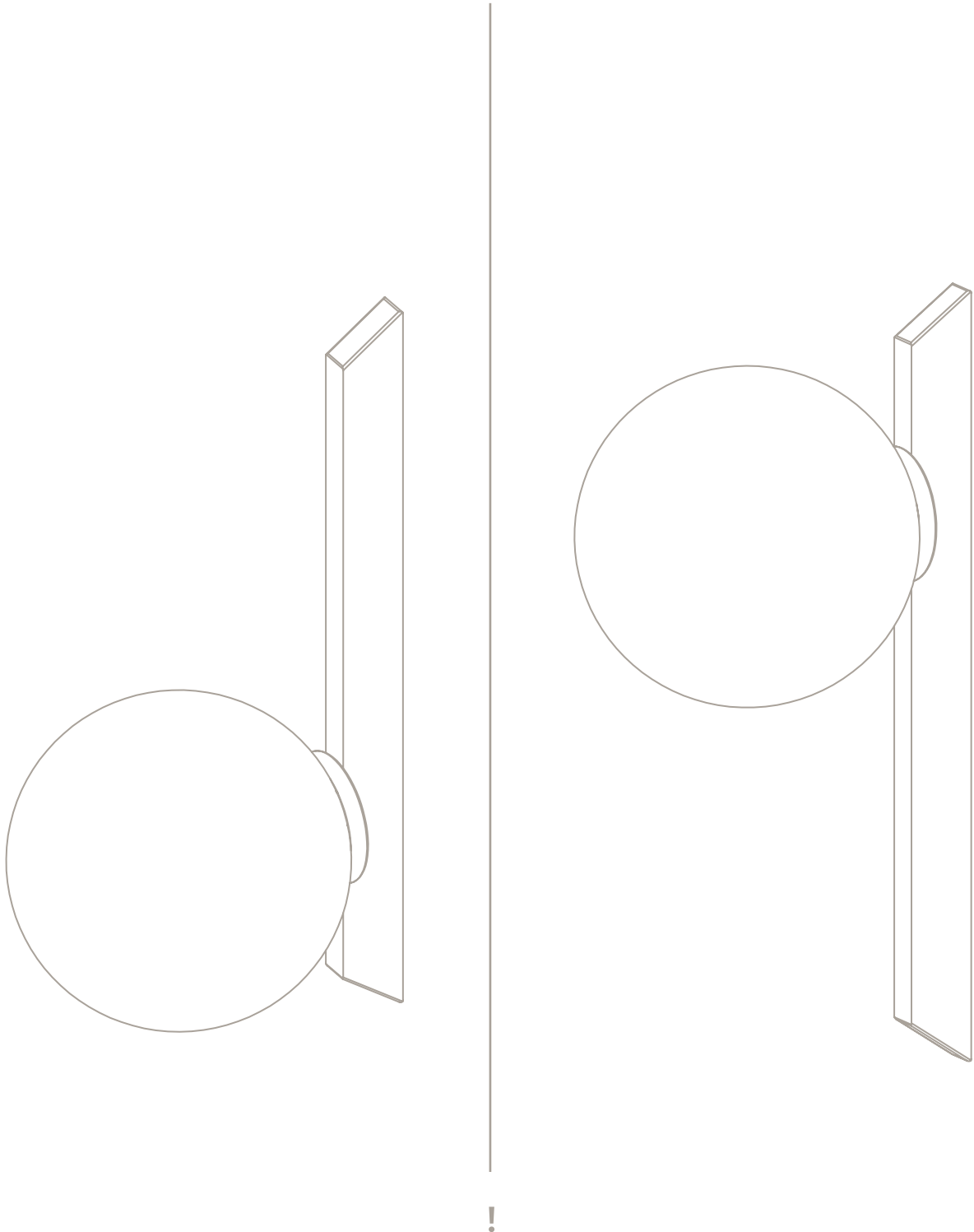


GAIA TALL WALL

Installation Guide



Please handle with care and wear gloves at all times during assembly and installation to avoid damaging components.

TECHNICAL

Bulb Holder
240v - 1 x E14
120v - 1 x E12
(bulbs not supplied)

Wattage
25w max (or 4.5w LED 2700k)

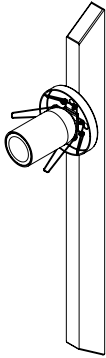
Weight
1.3kg (2.9lbs)

PARTS & COMPONENTS

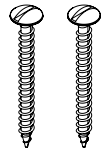
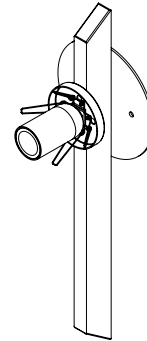
A. Gaia Wall Tall Body or B. Gaia Wall Tall Body with cover plate & 2 x screws
C. Glass Shade

Additional Parts for US installation only:
D. US Adapter plate & 2 x M4 Screws

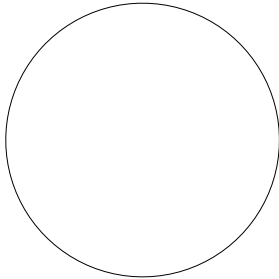
A.



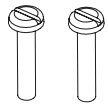
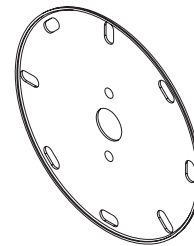
B.



C.



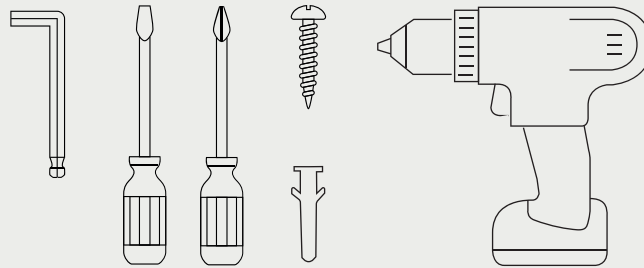
D.





BEFORE INSTALLATION

- Check that you have all components before starting the installation.
 - Installation must be carried out by a qualified electrician.
 - A minimum of two people is required to install a pendant light.
- Check that the ceiling or wall fixings are suitable and strong enough to support the weight of the light fixture.
 - You will need the below specific tools for a successful installation.



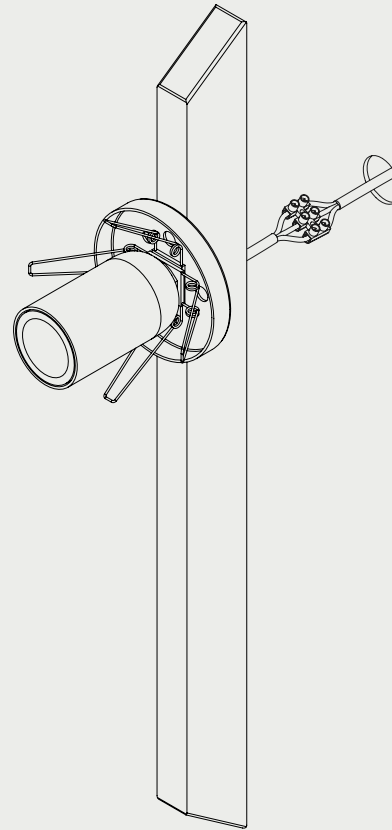
1. 240V
 - A. Make the electrical connection between the wall and the fitting ensuring all wires are colour matched and the fitting is earthed correctly.

Note:
Ensure that the weight of the fitting is fully supported during the electrical installation.

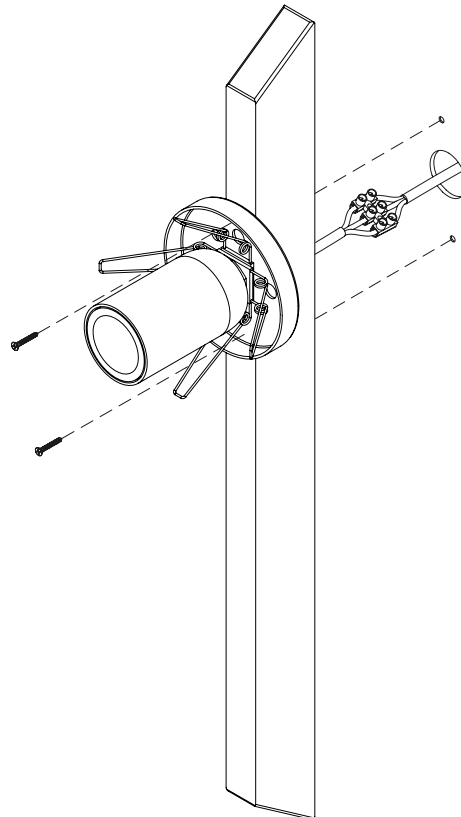
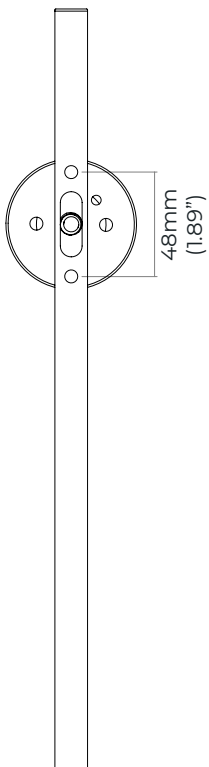
Terminal block not included. Installation must be performed by a qualified person

Any terminal blocks recommended must conform to IEC 60998-2-1 or IEC 60998-2-2

Terminal block - Specification
 Type - Screw / screw less - IP20
 No of terminals - 3
 Rated voltage - 240v - 110V
 Rated connecting capacity - AWG 24-12



2. B. Mount the fitting directly to the surface using screws suitable for the surface you are mounting too.



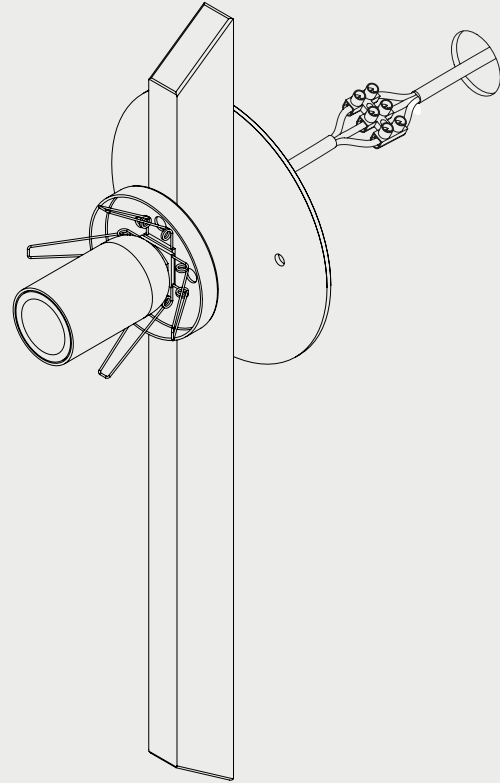
1. 240V
 - A. Make the electrical connection between the wall and the fitting ensuring all wires are colour matched and the fitting is earthed correctly.

Note:
Ensure that the weight of the fitting is fully supported during the electrical installation.

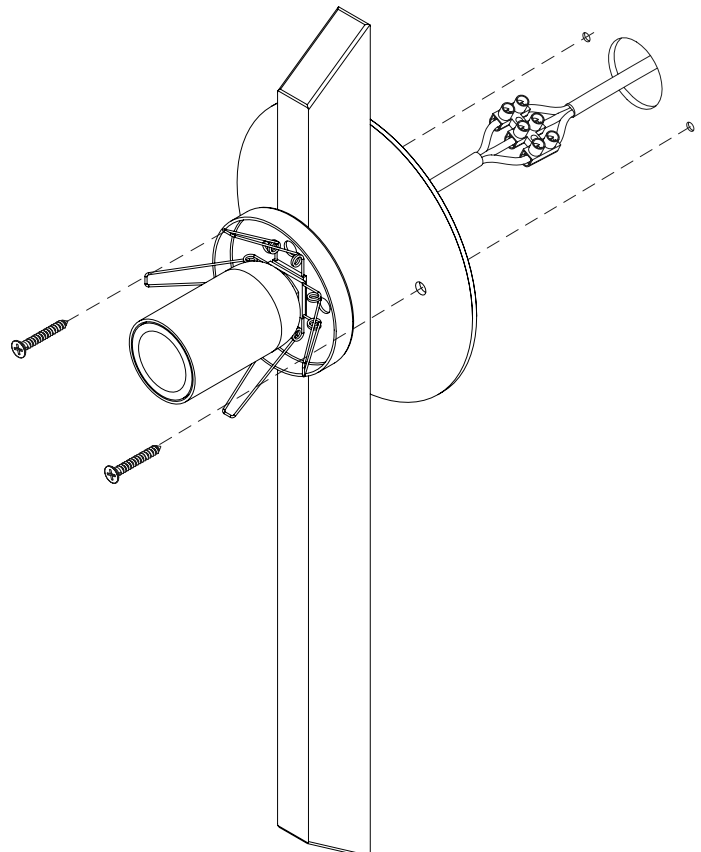
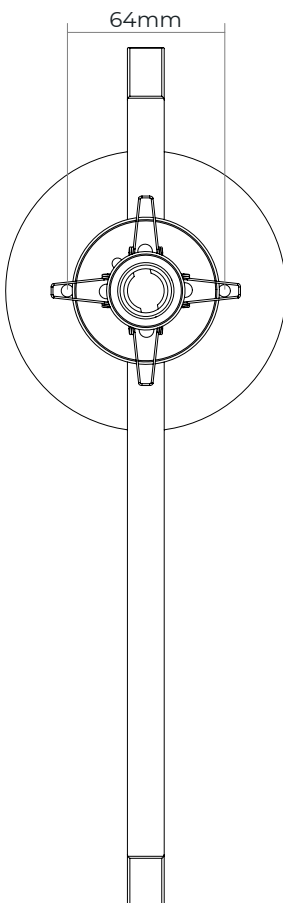
Terminal block not included. Installation must be performed by a qualified person

Any terminal blocks recommended must conform to IEC 60998-2-1 or IEC 60998-2-2

Terminal block - Specification
 Type - Screw / screw less - IP20
 No of terminals - 3
 Rated voltage - 240v - 110V
 Rated connecting capacity - AWG 24-12



2. B. Fit the backplate to the surface using screws suitable for the surface you are mounting too.

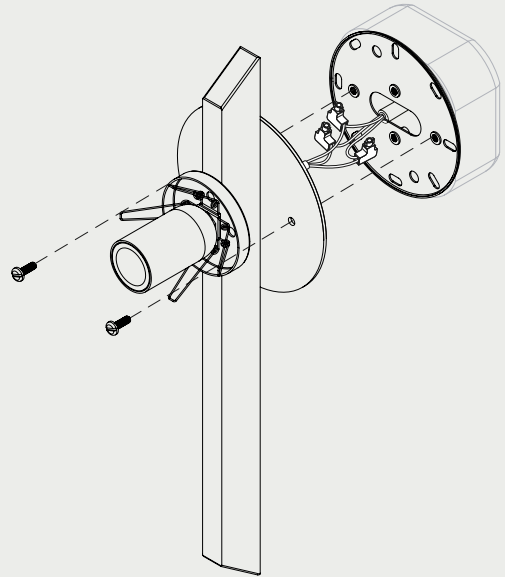


- 1. US** 110V
 Attach US adapter plate to junction box ensuring that the three central holes are vertically positioned (1).

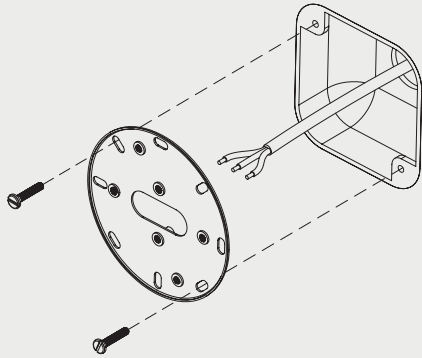
Make wiring connections, making sure they fit back inside the junction box ensuring all wires are colour matched and the wall light is earthed correctly.

Attach the mounting plate and covering plate to the Adapter plate using the 2 screws provided (2) to securely attach the wall plate to the junction box.

2.



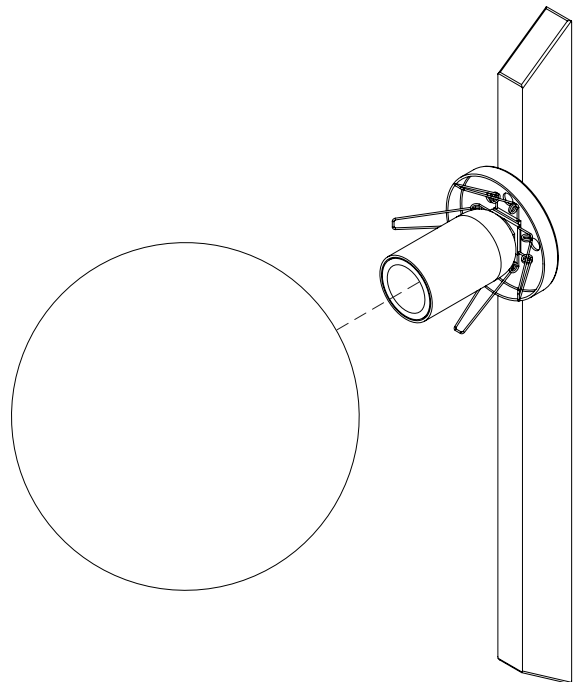
1.



- 3.** Fit the bulb to the lampholder followed by the opal glass shade.

To fit the opal glass shade, gently pinch the spring clips inwards and push the glass over the brass cap.

Do not release the glass shade too quickly as this may damage the fitting.



MAINTENANCE

Cleaning

Dust using a dry lint-free cloth weekly or as required

Repairs

Contact
 CTO Lighting

Warranty

Please visit
www.ctolighting.co.uk/pages/f-a-q
 for CTO warranty policy

Certification

