

GAIA WALL LIGHT

An elegant linear design made from the highest quality metalwork which has been expertly engineered to retain its minimal character.

FINISH

Metal finishes:
 - Satin Brass or
 - Bronze

Glass Finishes:
 - Hand shaped smoke glass
 - 150mm matte opal
 - 150mm shiny opal
 - 150mm tinted

See Page 2 for descriptions and SKU's:

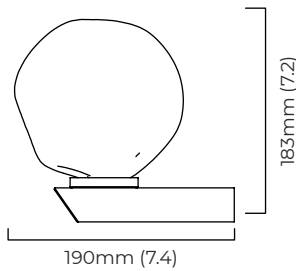
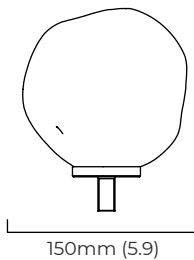
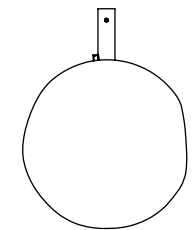
BULBS

240v - 1 x E14, 25w max (or 4.5w LED 2700k)
 110v - 1 x E12, 60w max (or 6.5w LED 2700k)
 (no bulbs supplied)

WEIGHT

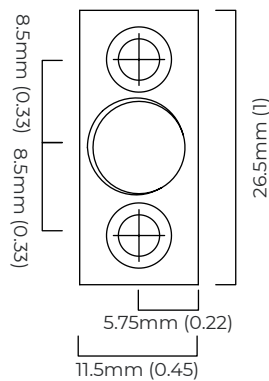
1.5kg (3.3lbs)

CERTIFICATION

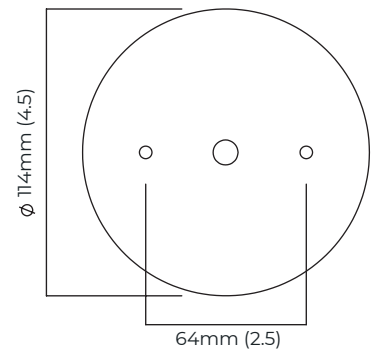


Mounting Options:

Flush fixing bracket



Cover plate /
 North America junction box cover



GAIA WALL LIGHT

240V - flush mounting :

Gia Wall Light Flush 240V				
Finish	Hand shaped smoked glass	150mm Matte Opal	150mm Shiny Opal	150mm Tinted
Satin Brass	GAIWAOSBCG-240	GAIWAOSBOG-240	GAIWAOSBSO-240	GAIWAOSBTG-240
Bronze	GAIWAOBZCG-240	GAIWAOBZOG-240	GAIWAOBZSO-240	GAIWAOBZTG-240

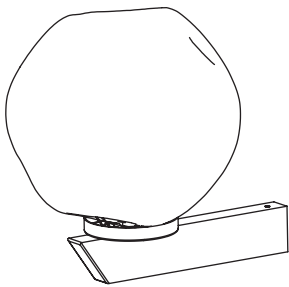
240V - with cover plate:

Gia Wall Light Cover Plate 240V				
Finish	Hand shaped smoked glass	150mm Matte Opal	150mm Shiny Opal	150mm Tinted
Satin Brass	GAIWPOSBCG-240	GAIWPOSBOG-240	GAIWPOSBSO-240	GAIWPOSBTG-240
Bronze	GAIWPOSBCG-240	GAIWPOBZOG-240	GAIWPOBZSO-240	GAIWPOBZTG-240

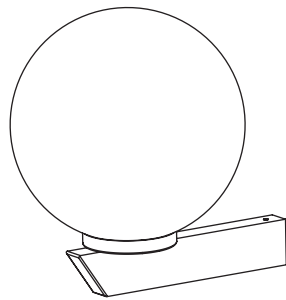
110V - with North America junction box cover:

Gia Wall Light Cover Plate US 110V				
Finish	Hand shaped smoked glass	150mm Matte Opal	150mm Shiny Opal	150mm Tinted
Satin Brass	GAIWPOSBCG-110	GAIWPOSBOG-110	GAIWPOSBSO-110	GAIWPOSBTG-110
Bronze	GAIWPOBZCG-110	GAIWPOBZOG-110	GAIWPOBZSO-110	GAIWPOBZTG-110

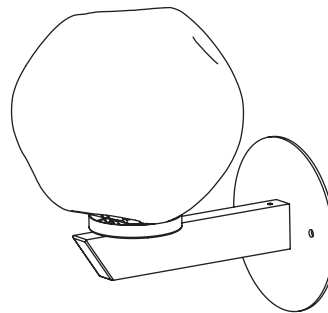
Glass size & Mounting examples:



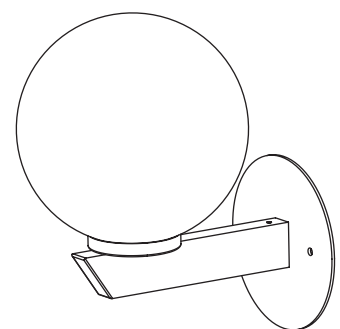
hand shaped smoked glass



150mm glass



hand shaped smoked glass
with cover plate



150mm glass
with cover plate