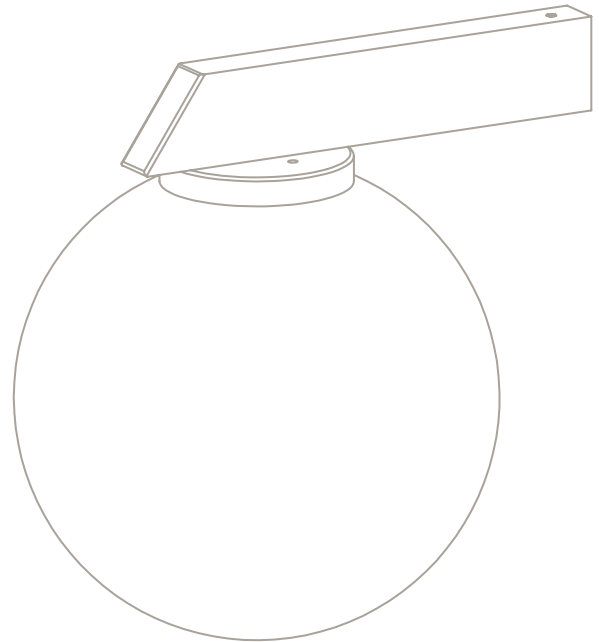
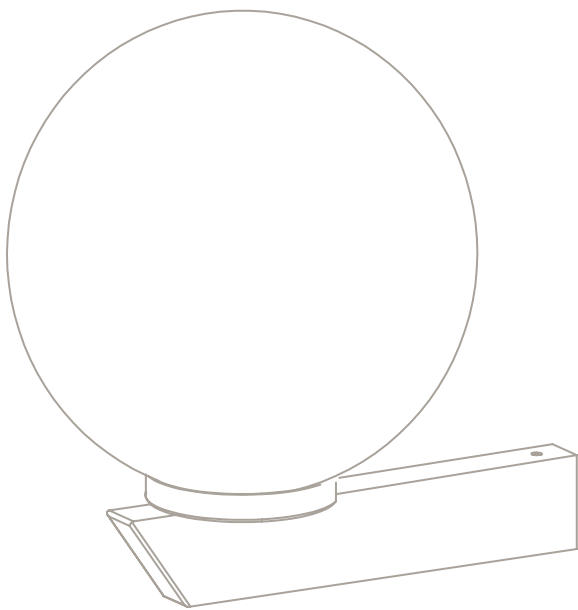


GAIA WALL

Installation Guide



!

Please handle with care and wear gloves at all times during assembly and installation to avoid damaging components.

TECHNICAL

Bulb Holder
 240v - 1 x E14
 120v - 1 x E12
 (bulbs not supplied)

Wattage
 25w max (or 4.5w LED 2700k)

Weight
 1kg (2.2lbs)

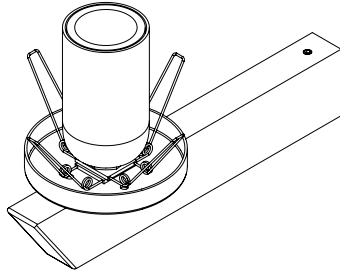
PARTS & COMPONENTS

- A. Gaia Wall Body
- B. Gaia Wall fixing block or C. Gaia fixing block with cover plate & 2 x screws
- D. Glass Shade

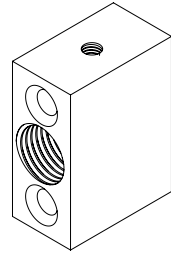
Additional Parts for US installation only:

- E. US Adapter plate
- F. 2 x M4 Screws

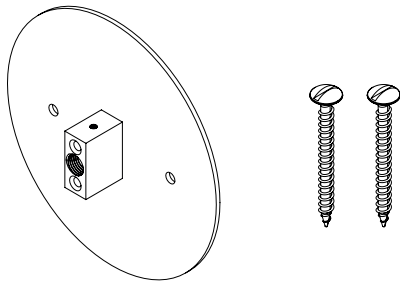
A.



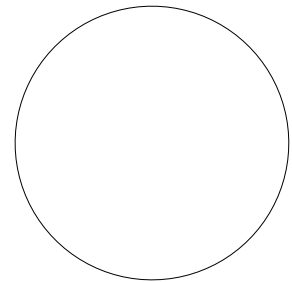
B.



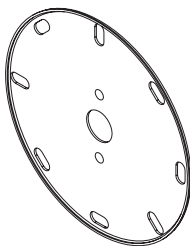
C.



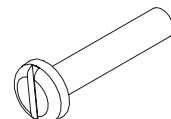
D.



E.



F.

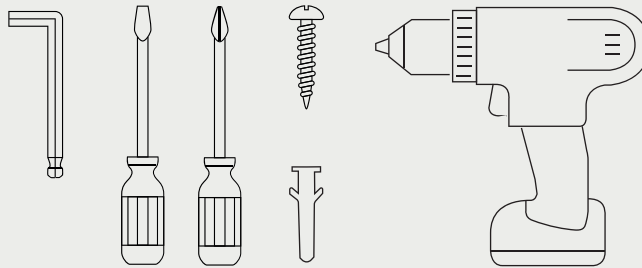


- All nuts and bolts required for the installation will be included in the delivery.



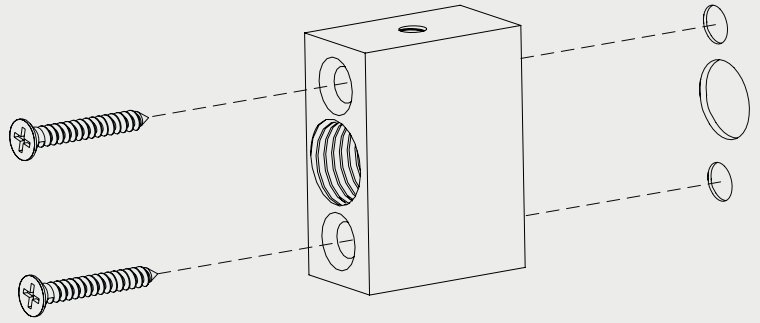
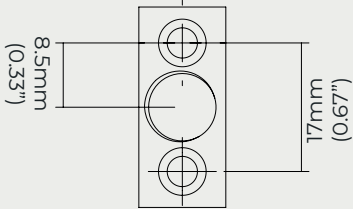
BEFORE INSTALLATION

- Check that you have all components before starting the installation.
 - Installation must be carried out by a qualified electrician.
 - A minimum of two people is required to install a pendant light.
- Check that the ceiling or wall fixings are suitable and strong enough to support the weight of the light fixture.
 - You will need the below specific tools for a successful installation.



If the external flexible cable or cord of this luminaire is damaged, it shall be exclusively replaced by the manufacturer or his service agent or a similar qualified person in order to avoid a hazard.

1. 240V
 A. Fit the wall block to the surface using screws suitable for the surface you are mounting to tightly.



2. 240V
 B. Make the electrical connection between the wall block and the fitting ensuring all wires are colour matched and the fitting is earthed correctly. There is space inside the body for small connections.

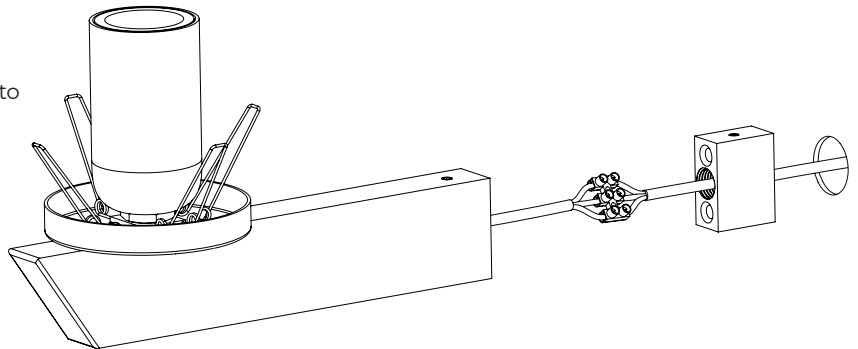
Note:

Ensure that the weight of the fitting is fully supported during the electrical installation.

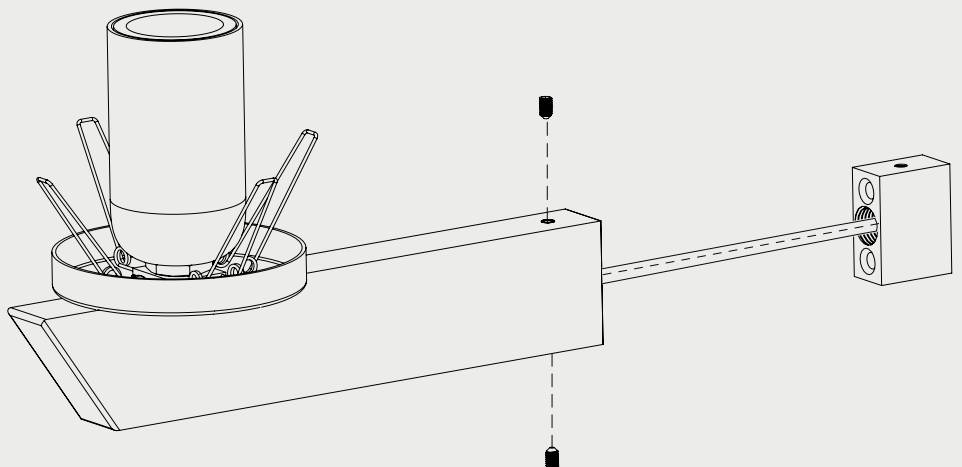
Terminal block not included. Installation must be performed by a qualified person

Any terminal blocks recommended must conform to IEC 60998-2-1 or IEC 60998-2-2

Terminal block - Specification
 Type - Screw / screw less - IP20
 No of terminals - 3
 Rated voltage - 240v - 110V
 Rated connecting capacity - AWG 24-12



3. A. Push the fitting onto the wall block. Fix in place using the M3 grub screws provided. These will be flush with the top and bottom of the fitting arm.



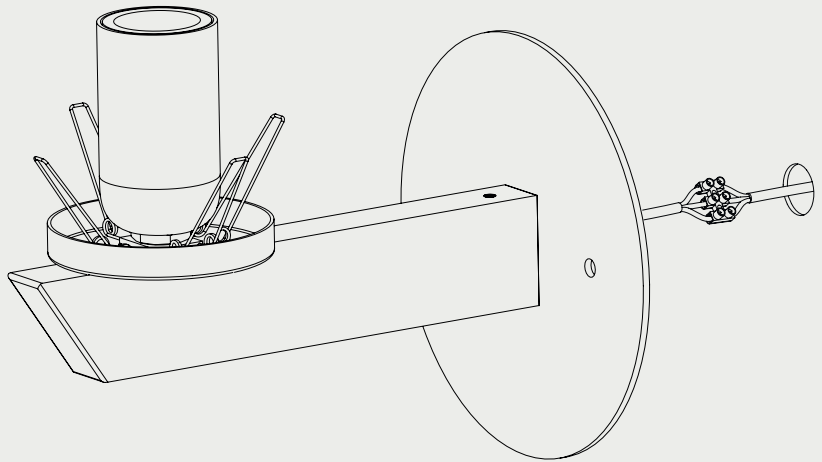
1. Wall plate Option - 240V
 - A. Make the electrical connection between the wall and the fitting ensuring all wires are colour matched and the fitting is earthed correctly.

Note:
Ensure that the weight of the fitting is fully supported during the electrical installation.

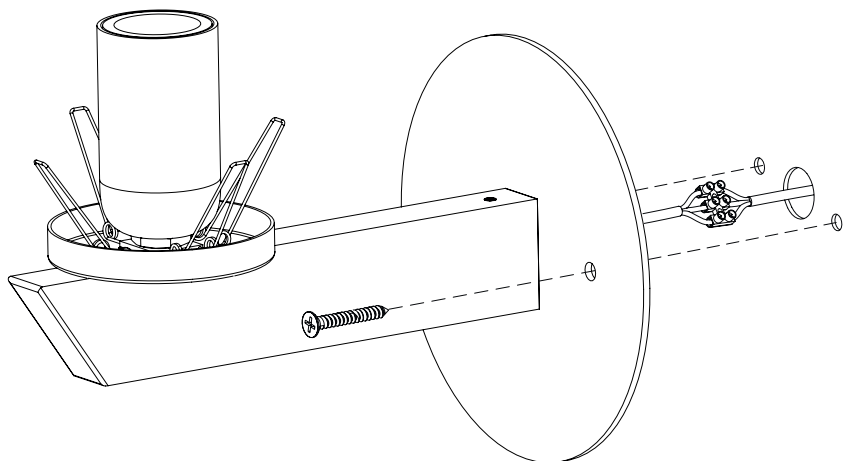
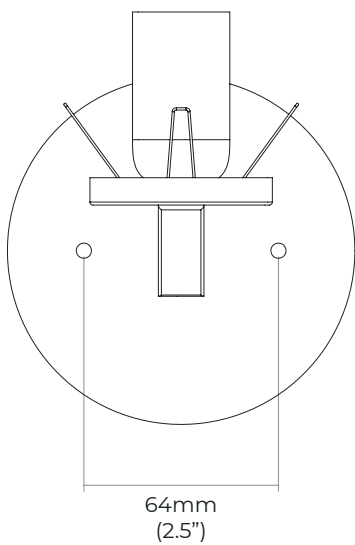
Terminal block not included. Installation must be performed by a qualified person

Any terminal blocks recommended must conform to IEC 60998-2-1 or IEC 60998-2-2

Terminal block - Specification
 Type - Screw / screw less - IP20
 No of terminals - 3
 Rated voltage - 240v - 110V
 Rated connecting capacity - AWG 24-12



2. B. Fit the backplate to the surface using screws suitable for the surface you are mounting too.



1. US

110V

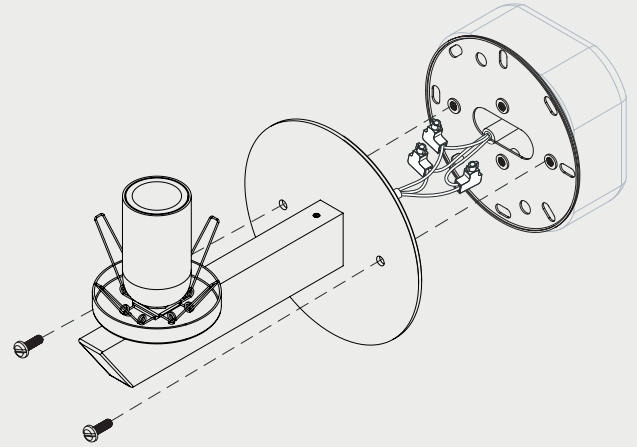
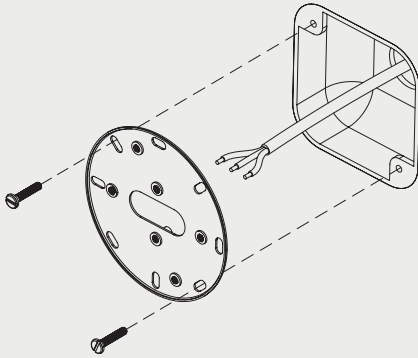
Attach US adapter plate to junction box ensuring that the three central holes are vertically positioned (1).

Make wiring connections, making sure they fit back inside the junction box ensuring all wires are colour matched and the wall light is earthed correctly.

Attach the mounting plate and covering plate to the Adapter plate using the 2 screws provided (2) to securely attach the wall plate to the junction box.

2.

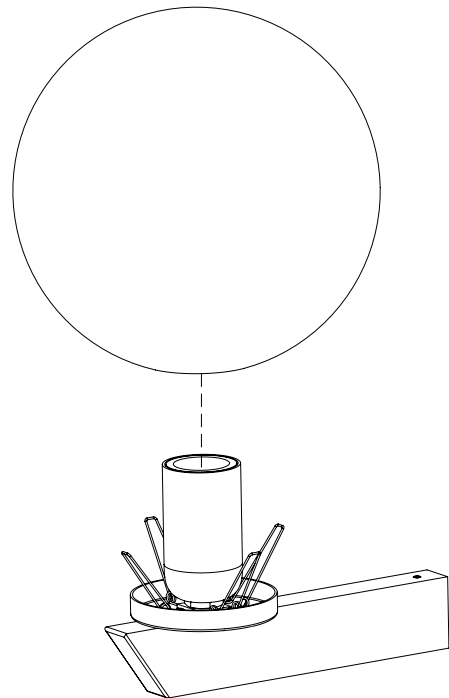
1.



3. Fit the bulb to the lampholder followed by the opal glass shade.

To fit the opal glass shade, gently pinch the spring clips inwards and push the glass over the brass cap.

Do not release the glass shade too quickly as this may damage the fitting.



MAINTENANCE

Cleaning

Dust using a dry lint-free cloth weekly or as required

Repairs

Contact
CTO Lighting

Warranty

Please visit
[www.ctolighting.co.uk/
pages/f-a-q](http://www.ctolighting.co.uk/pages/f-a-q)
for CTO warranty policy

Certification

