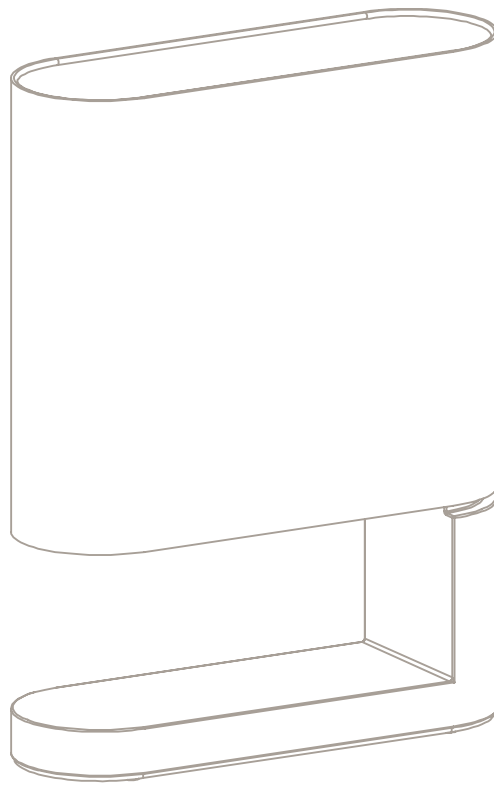


COLUMBO TABLE

Installation Guide



!

Please handle with care and wear gloves at all times during assembly and installation to avoid damaging components.

TECHNICAL

Bulb Holder
240v - 2 x G9
120v - 2 x G9
(bulbs not supplied)

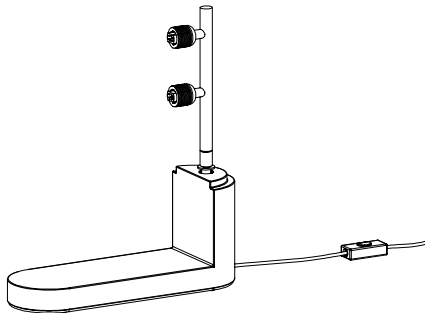
Wattage
18w max halogen
(or 2.3w LED 2700k)

Weight
5kg (11lbs)

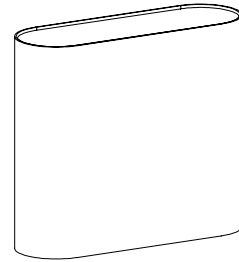
PARTS & COMPONENTS

- A. 1 x Columbo table light base
- B. 1 x Shade
- C. 2 x G9 bulb covers

A.



B.



C.



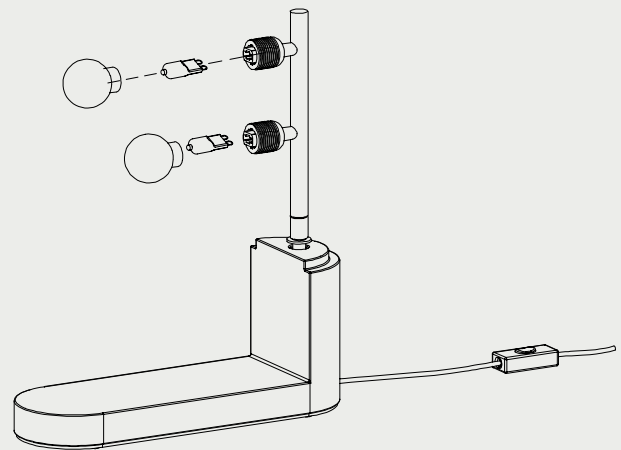
- All nuts and bolts required for the installation will be included in the delivery.



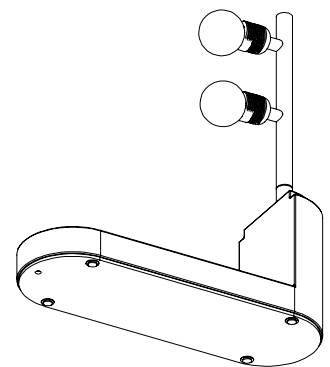
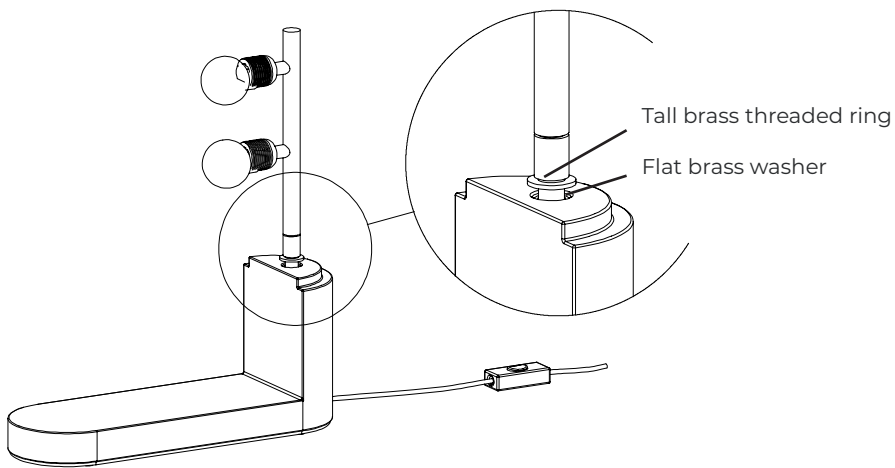
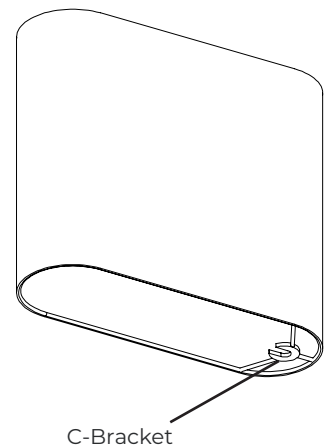
BEFORE INSTALLATION

- Check that you have all components before starting assembly.
- Assembly must be carried out by a qualified electrician.

1. Fit the bulbs to the lampholders (not supplied).
Fit and screw bulb covers over the two bulbs



2. A. Screw UP the tall brass threaded ring.
B. Move the flat brass washer UP, until it is touching the brass threaded ring,
C. Slide under the brass washer the C- bracket (shade)
D. Secure the shade on the base by screwing DOWN the tall brass threaded ring



MAINTENANCE

Cleaning

Dust using a dry lint-free cloth weekly or as required

Repairs

Contact
CTO Lighting

Warranty

Please visit
www.ctolighting.co.uk/pages/f-a-q
for CTO warranty policy

Certification

