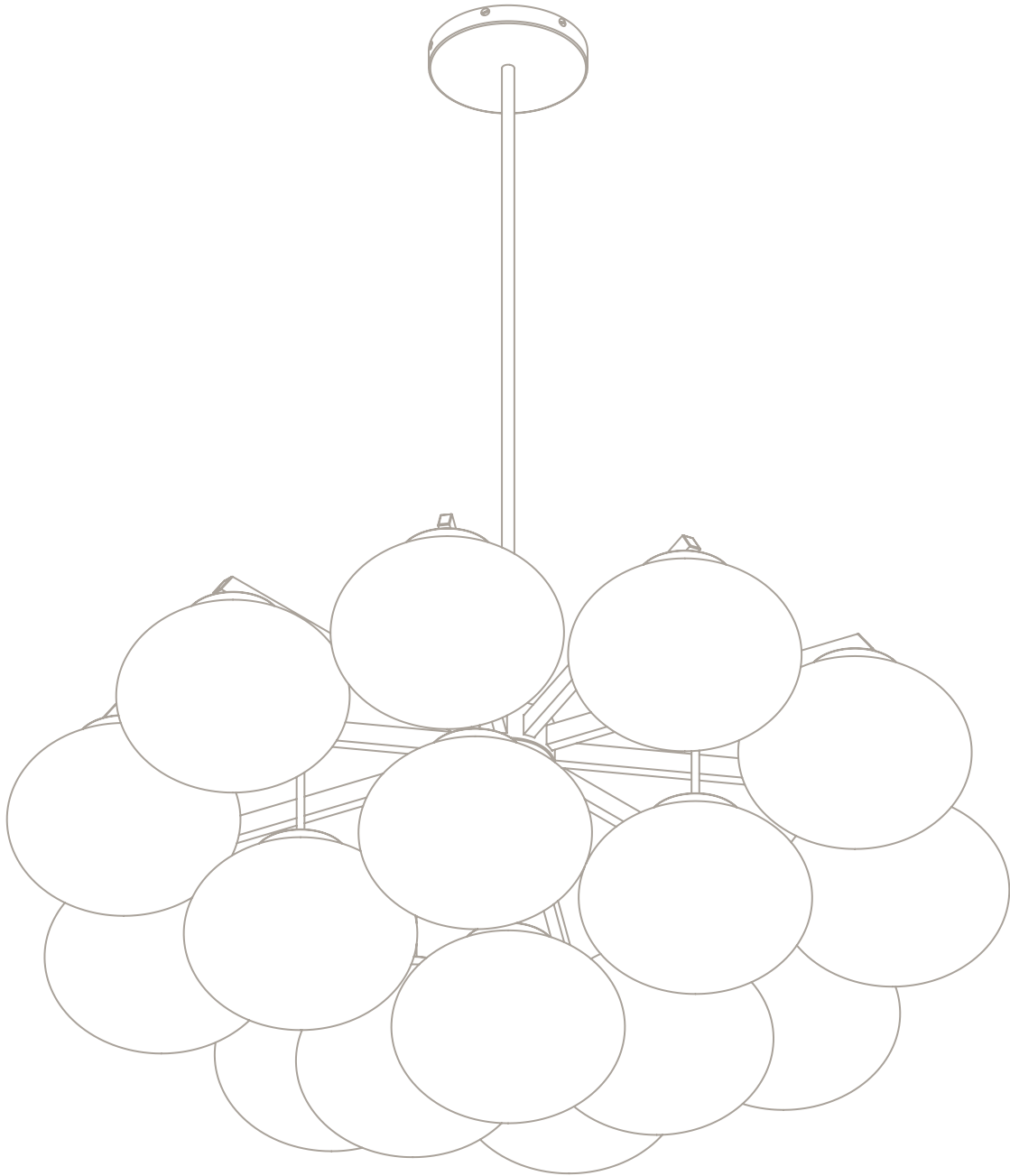


CLOUDESLEY LARGE CHANDELIER

Installation Guide



!

Please handle with care and wear gloves at all times during assembly and installation to avoid damaging components.

TECHNICAL

Bulb Holder
240v - 16 x E27,
120v - 16 x E26
(no bulbs supplied)

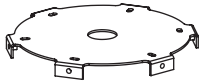
Wattage
60w max (or 8w LED 2700k)

Weight
41kg (90.4lbs)

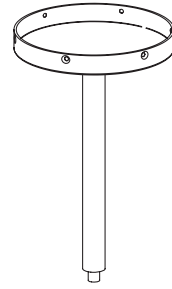
PARTS & COMPONENTS

- A. 1 x Mounting plate
- B. 1 x Ceiling rose cover with drop rod
- C. 16 x 300mm glass shade
- D. 1 x Cloudesley Large body

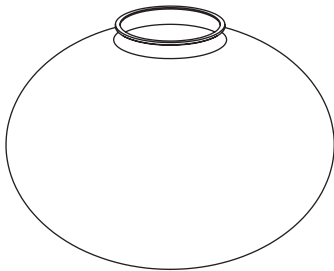
A.



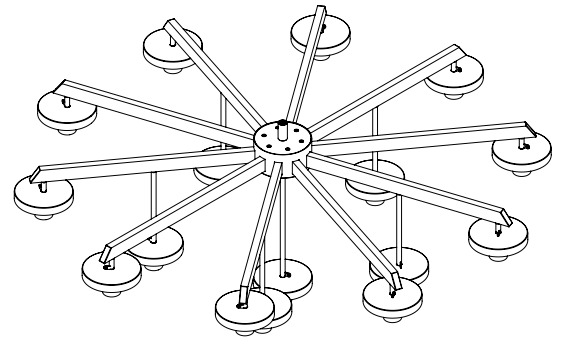
B.



C.



D.

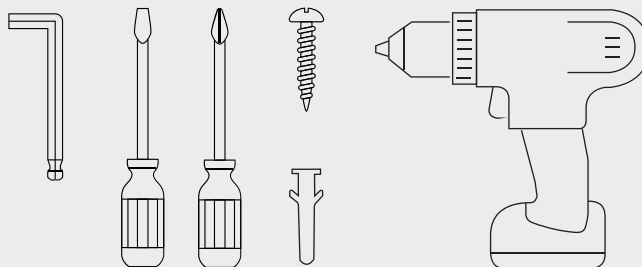


- All nuts and bolts required for assembling the light are included.



BEFORE INSTALLATION

- Check that you have all components before starting the installation.
 - Installation must be carried out by a qualified electrician.
 - A minimum of two people is required to install a pendant light.
- Check that the ceiling or wall fixings are suitable and strong enough to support the weight of the light fixture.
 - You will need the below specific tools for a successful installation.



HEIGHT ADJUSTMENT INSTRUCTIONS

Before attaching the drop-rod to the body of the light, calculate the required total drop from ceiling to bottom of pendant. If any height adjustment is required, follow the steps below:

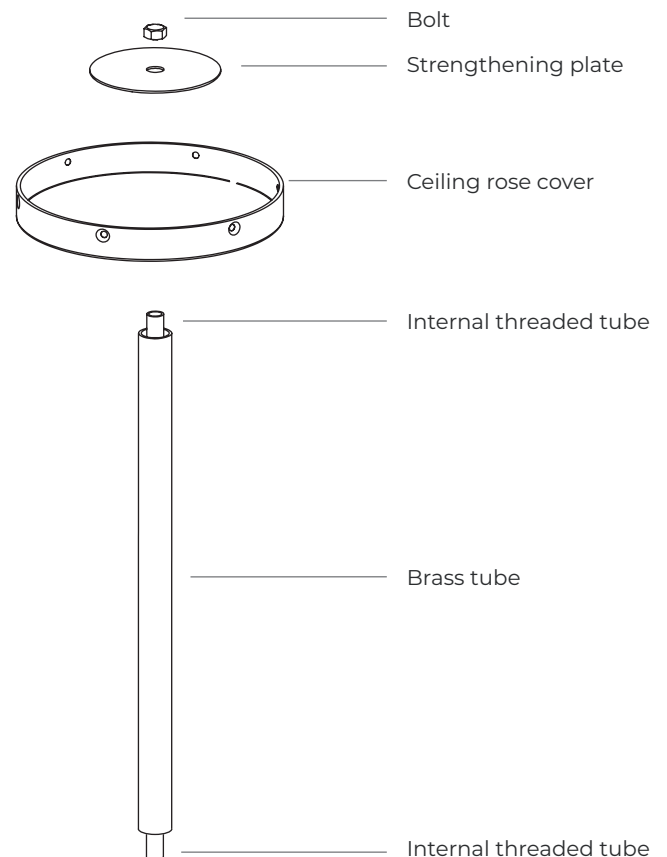
1. Separate the brass tube and the internal threaded tube from the ceiling rose cover by unscrewing the bolts.
2. Measure the length the drop rod needs to be.
3. Cut the brass tube to this length using a hacksaw or similar tool.
4. Cut the same length from the internal threaded tube using a hacksaw or similar tool.

NOTE: You must allow 25mm extra internal threaded tube at each end of the brass tube so that it can be bolted into place with the nuts provided.

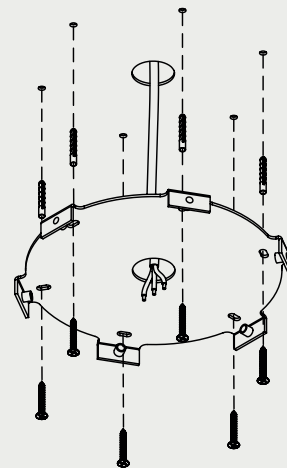
5. Once the brass tube and internal threaded tube are cut to the correct lengths, assemble them back together by using all components provided and mount the internal thread tube to the ceiling rose cover using the M13 bolts.

Ensure that the bolt is tightened and fully secure.

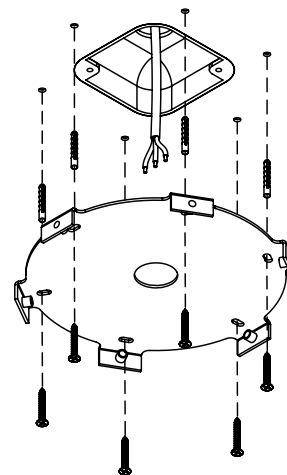
8. Once satisfied with the fit secure bolt and internal thread tube with Loc-tite or similar adhesive.
9. Slide the brass tube over the internal threaded tube.



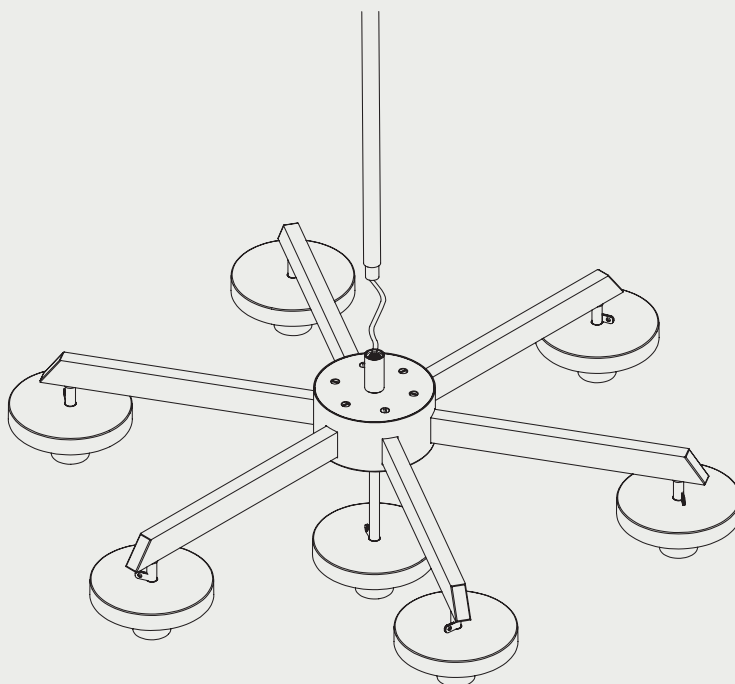
1. Fix the mounting plate to the ceiling. Ensure that suitable screws are being used for the surface that you are mounting to (not supplied).



1. 120v
US Fix the mounting plate over the junction box using suitable screws (not supplied).



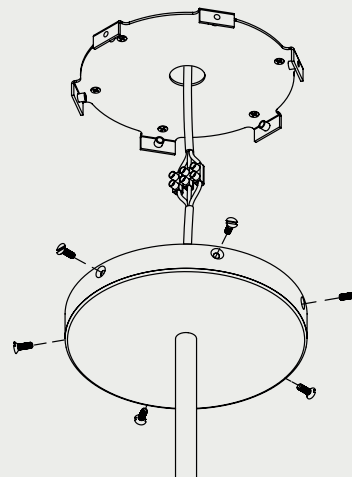
2. Feed the power cable from the drop-rod into the ceiling rose cover.
Screw the drop rod to the central hub of the pendant.
Note: The drop rod should be tightened into the hub using a spanner to ensure there is no play between the parts.



3. Raise the pendant towards the ceiling and make the electrical connections.

Bring the ceiling rose cover up to the mounted plate and secure with the provided screws.

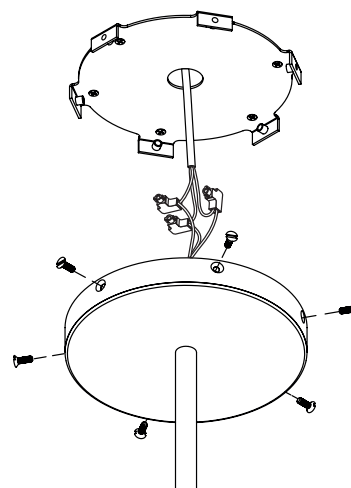
Note: Ensure that the weight of the pendant is fully supported during the electrical installation.



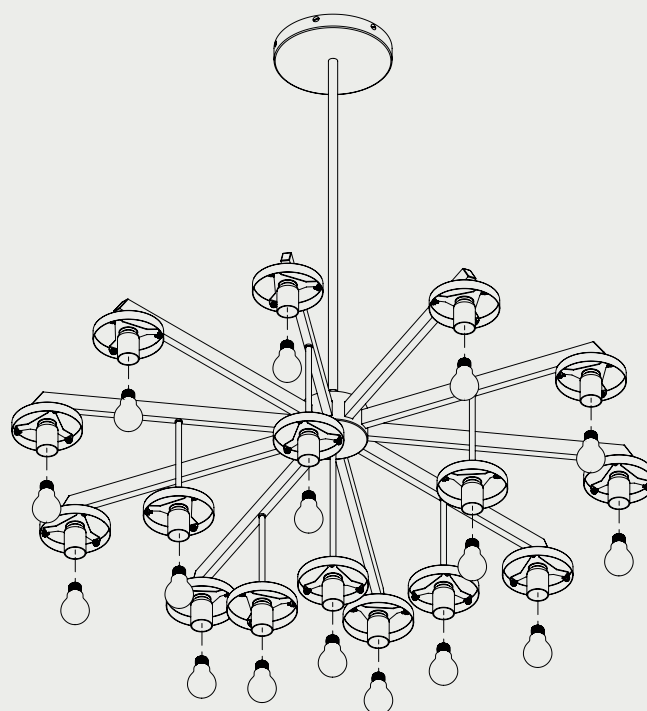
3. 120V

US Raise the pendant and make the electrical connections inside the junction box ensuring all wires are colour matched and the pendant is earthed correctly.

Bring the ceiling rose cover up to the mounted plate and secure with the provided screws.



4. Fit the bulbs (not supplied) to the lamp-holder.



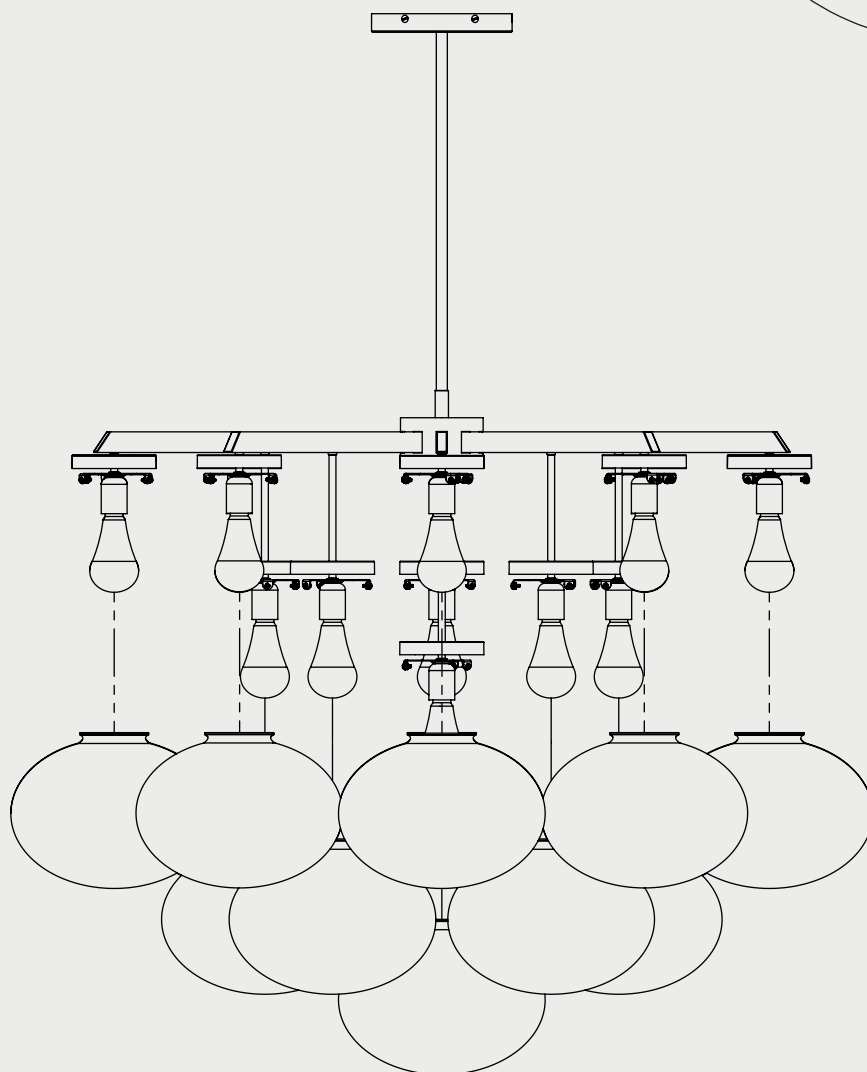
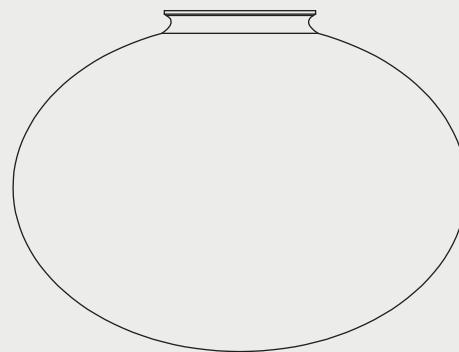
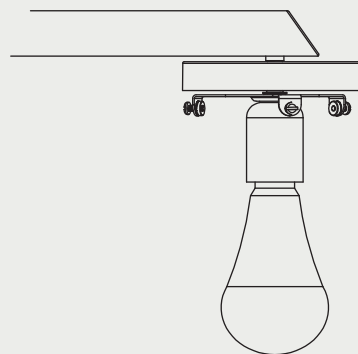
5. Fit the glass shades to the pendant body.

Start with the outer shades first work into the middle.

Remove the P-Clip around the rod and discard. Feed the glass shade over the bulb.

Using a flat headed screwdriver, tighten the 3 screws around the neck of the glass shade. Do not over tighten, make sure the glass is secured.

Make sure the shade cover is correctly located.



MAINTENANCE

Cleaning

Dust using a dry lint-free cloth weekly or as required

Repairs

Contact
CTO Lighting

Warranty

Please visit
[www.ctolighting.co.uk/
pages/f-a-q](http://www.ctolighting.co.uk/pages/f-a-q)
for CTO warranty policy

Certification

 
E492308