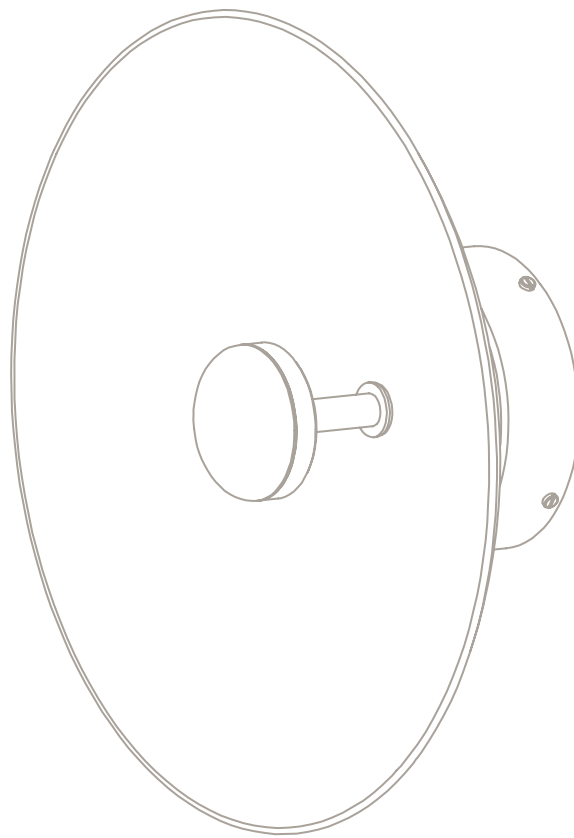


CIELO LARGE CEILING /WALL MOUNTED

Installation Guide



!

Please handle with care and wear gloves at all times during assembly and installation to avoid damaging components.

TECHNICAL

Bulb Holder
integrated LED
trailing edge dimmable

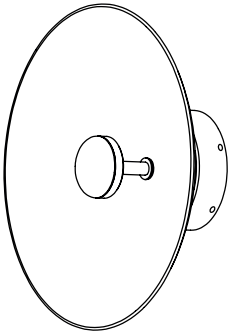
Wattage
8w - 2700k

Weight
4kg (8.8lbs)

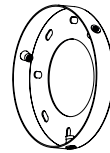
PARTS & COMPONENTS

- A. 1 x Cielo large body
- B. 1 x Mounting plate
- C. 4 x M4 screws
- D. 1 x LED driver

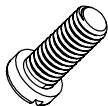
A.



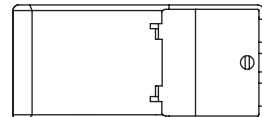
B.



C.



D.

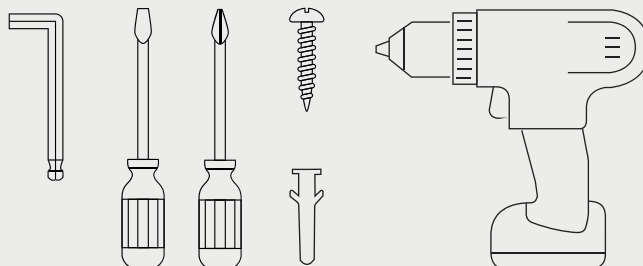


- All nuts and bolts required for the installation will be included in the delivery.



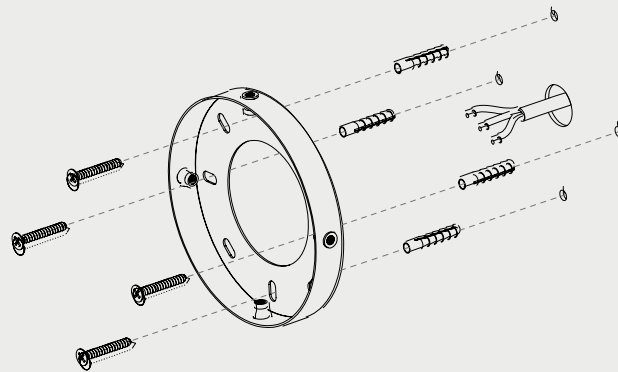
BEFORE INSTALLATION

- Check that you have all components before starting the installation.
 - Installation must be carried out by a qualified electrician.
 - A minimum of two people is required to install a pendant light.
- Check that the ceiling or wall fixings are suitable and strong enough to support the weight of the light fixture.
 - You will need the below specific tools for a successful installation.



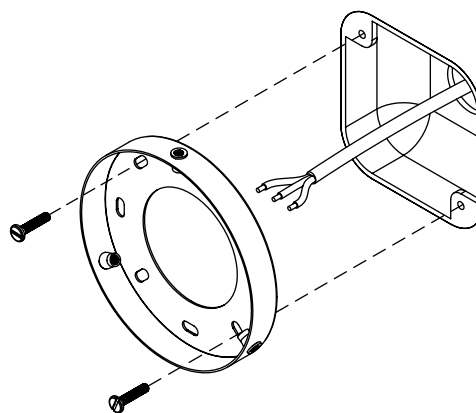
1. 240V

Securely fix the mounting plate to the wall in the correct position using fixings suitable for the surface you are mounting to (not supplied).

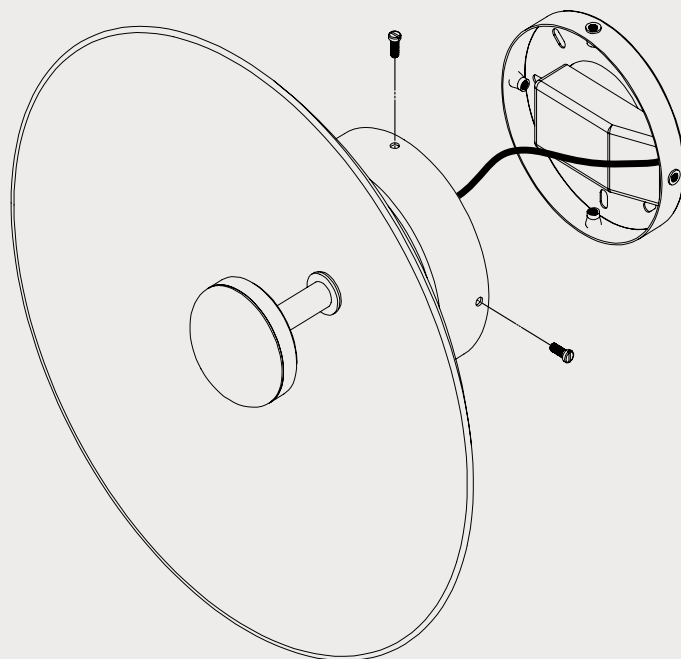


1. 110V

US Fix the mounting plate to the junction box using suitable screws (not supplied).



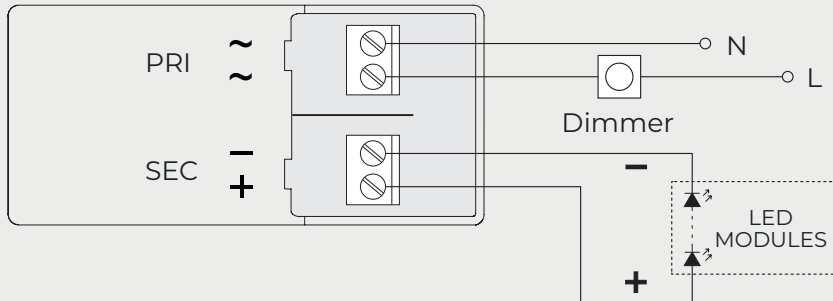
2. A. Raise the wall light and make the electrical connections inside the wall cover plate ensuring all wires are colour matched and the wall light is earthed correctly.
- B. Bring the wall cover plate up to the mounted plate and secure with the three screws.



See wiring diagram below.

Dimmer is optional. Please note, use trailing edge dimmer switch only.

Note: + is the red cable going to LED module
 - is the black cable going to the LED module



MAINTENANCE

Cleaning

Dust using a dry lint-free cloth weekly or as required

Repairs

Contact
CTO Lighting

Warranty

Please visit
www.ctolighting.co.uk/pages/f-a-q
for CTO warranty policy

Certification

