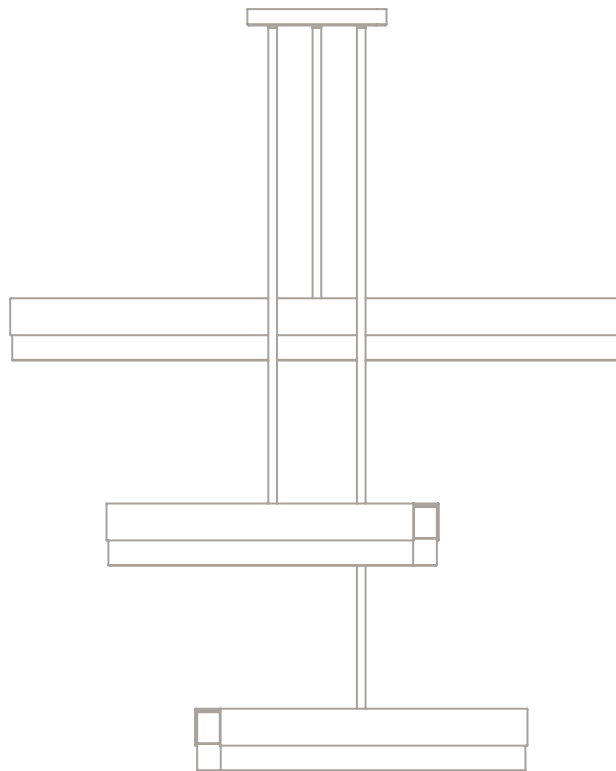


## ARTES COLLECTIVE 900 PENDANT

Installation Guide



!

Please handle with care and wear gloves at all times during assembly and installation to avoid damaging components.

## TECHNICAL

**Bulb Holder**  
integrated LED  
dimmable

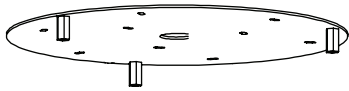
**Wattage**  
72w (2700k)

**Weight**  
24kg (52.9lbs)

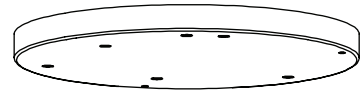
## PARTS &amp; COMPONENTS

- A. 1 x mounting plate with connectors
- B. 1 x ceiling rose cover
- C. 3 x M4x8 Countersunk screws, 3 x M10 nuts, 3 x M10 washers, 3 x M3 Countersunk steel screws
- D. 2 x electrical connector blocks, 3 x M4 threaded rods, 3 x nylon washers, 3 x M4 wing-nuts
- E. 3 x drop rods
- F. 3 x Artes pendants

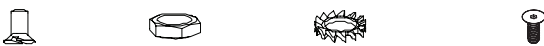
A.



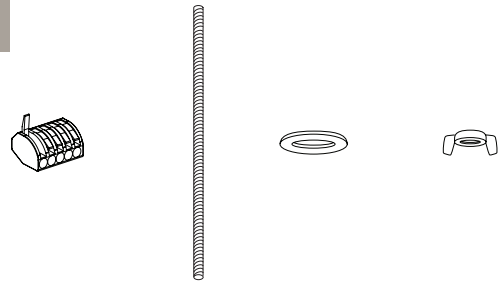
B.



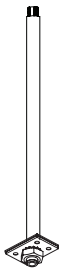
C.



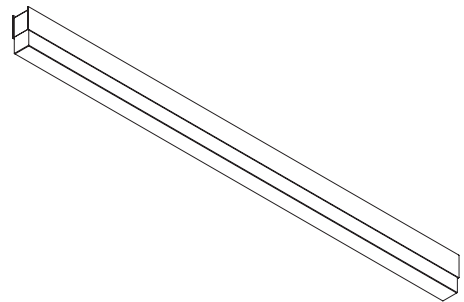
D.



E.



F.

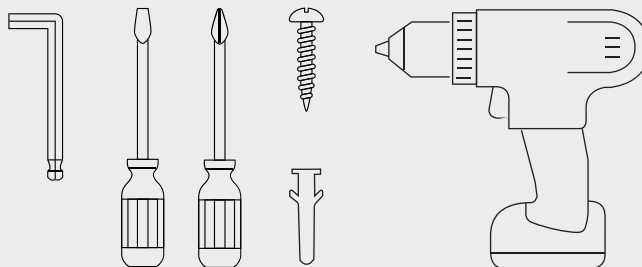


- All nuts and bolts required for assembling the light are included.



## BEFORE INSTALLATION

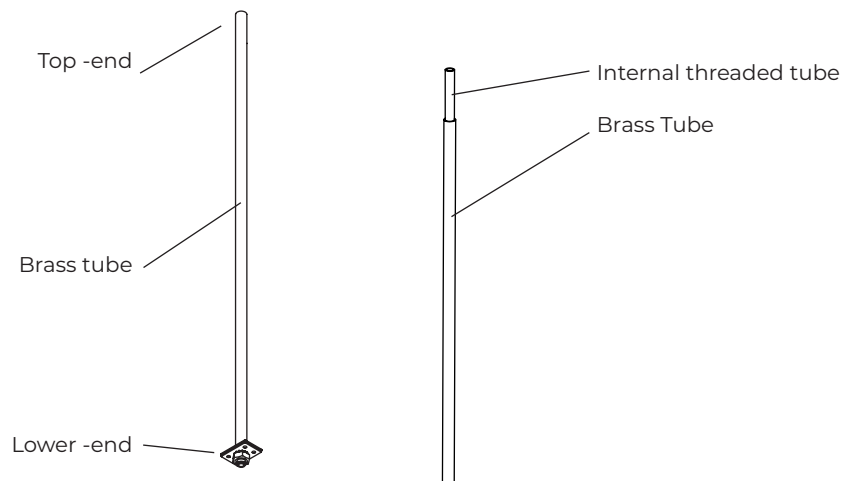
- Check that you have all components before starting the installation.
  - Installation must be carried out by a qualified electrician.
  - A minimum of two people is required to install a pendant light.
- Check that the ceiling or wall fixings are suitable and strong enough to support the weight of the light fixture.
  - You will need the below specific tools for a successful installation.



**HEIGHT ADJUSTMENT INSTRUCTIONS**

Before attaching the drop-rod to the body of the light, calculate the required total drop from ceiling to bottom of pendant. If any height adjustment is required, follow the steps below:

1. Separate the brass tube from the internal threaded tube.



2. Measure the length the drop rod needs to be.
3. Cut the brass tube to this length using a hacksaw or similar tool.
4. Cut the same length from the top-end of the internal threaded tube.

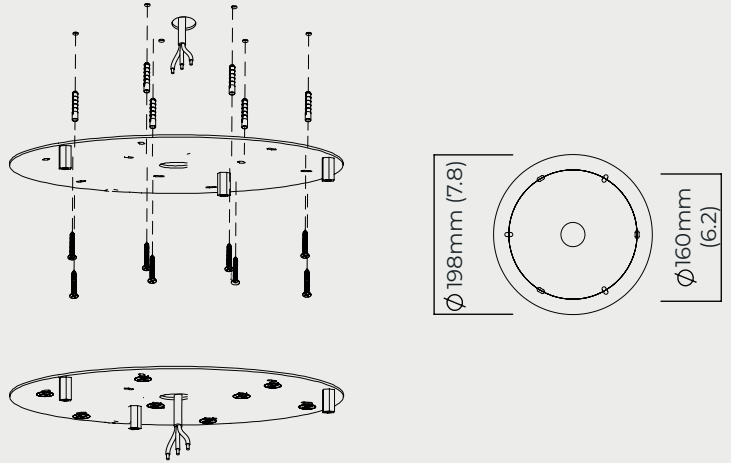
NOTE: The internal threaded tube must always be longer than the brass tube.

5. Once the brass tube and internal threaded tube are cut to correct lengths, slide the brass tube over the internal threaded tube

## 1. 120V

Fix the ceiling mounting plate to the ceiling.

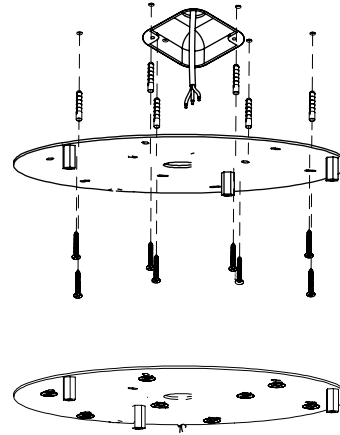
Ensure that suitable screws are being used for the surface you are mounting to (not supplied).



## 1. 120V US

Fix the mounting back plate over the junction box..

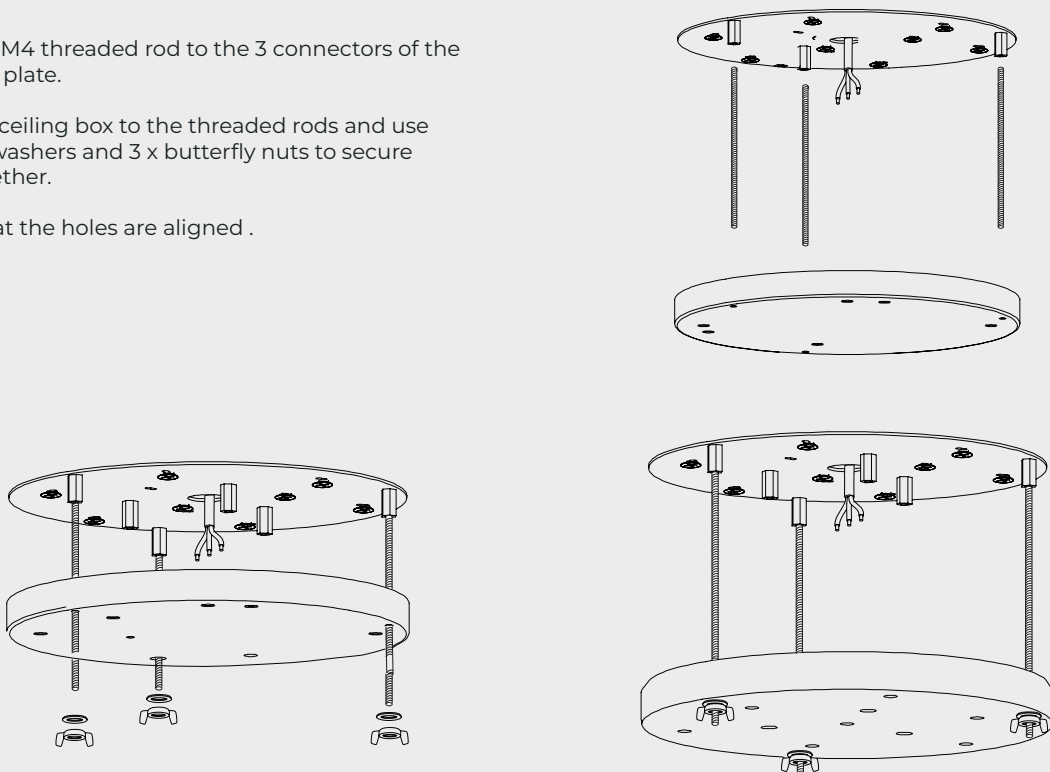
Ensure that suitable screws are being used for the surface you are mounting to (not supplied).



## 2. Attach 3 x M4 threaded rod to the 3 connectors of the mounting plate.

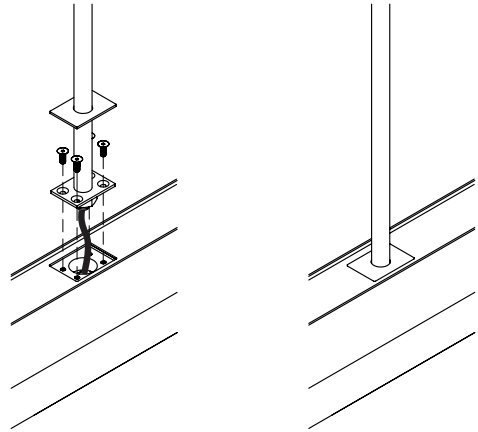
Insert the ceiling box to the threaded rods and use 3 x nylon washers and 3 x butterfly nuts to secure them together.

Ensure that the holes are aligned .



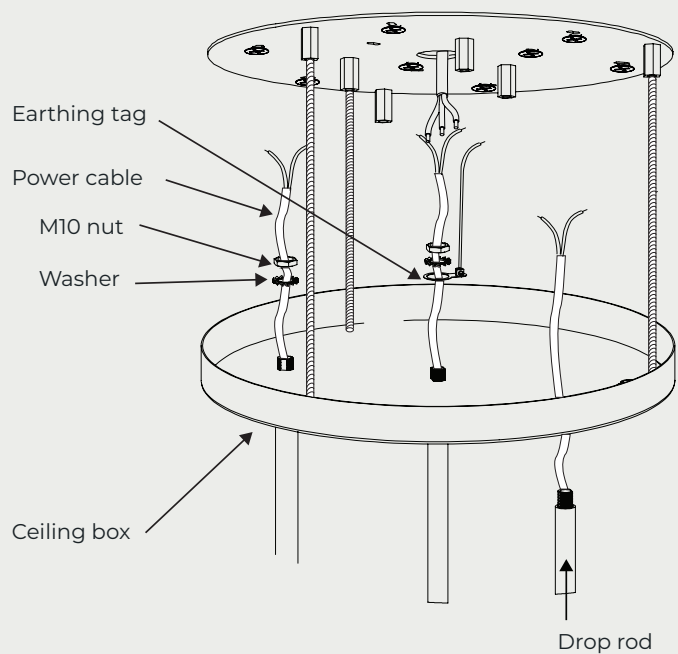
3. Thread the cable from the Artes Pendants through the drop rods and fix the two together using 4 x countersunk screws until are fully secure.

Lower the brass masking plate to hide the screw fittings.



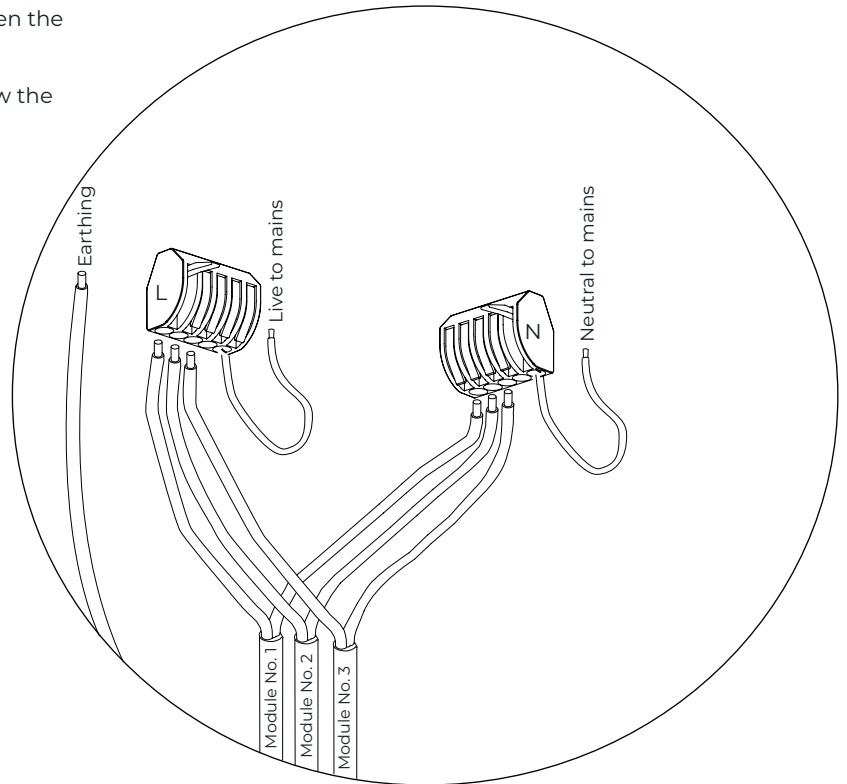
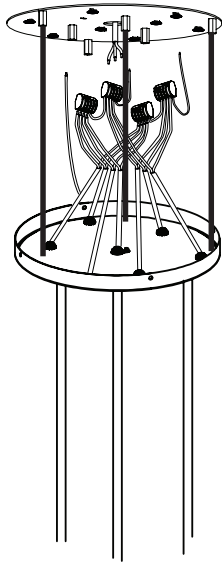
4. Feed the power cable from each drop rod into the ceiling rose cover through the hole, then use the washer and M10 nut to secure each Artes Pendant to the ceiling rose cover.

Note: See diagram on the last page of the document for correct location and orientation of each module.



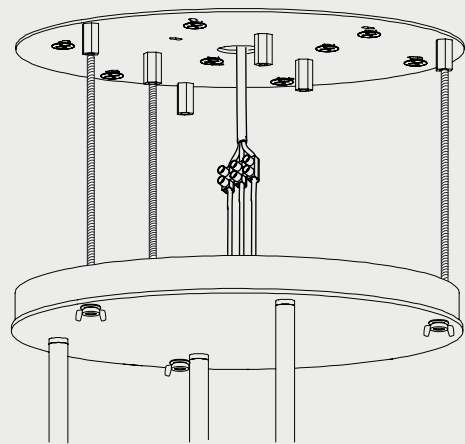
5. Make all required electrical connections between the pendants within the ceiling rose cover.

Note: Use connector blocks provided and follow the diagram below.



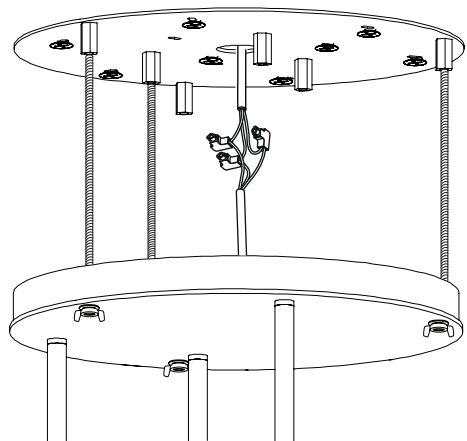
6. Make the electrical connections inside the ceiling rose cover, ensuring all wires are colour matched and the pendant is earthed correctly.

Note: Ensure that the weight of the pendant is fully supported.



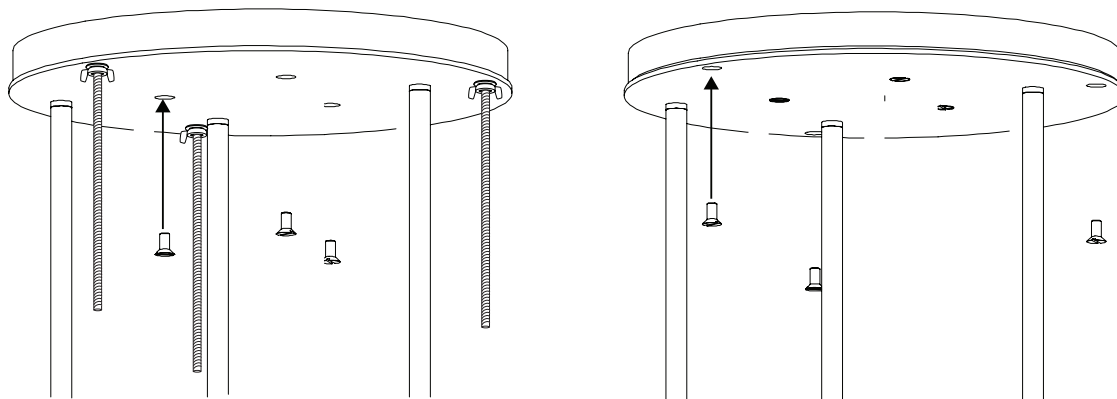
6. **US** Make the electrical connections inside the ceiling rose cover ensuring all wires are colour matched and the pendant is earthed correctly.

Note: Ensure that the weight of the pendant is fully supported.



7. Raise the ceiling rose cover closer to the mounting plate.

Remove the 3 x M4 threaded rods and replace them with the 3 x M4 countersunk screws.



## MAINTENANCE

### Cleaning

Use a soft dry cloth to clean. If any marks remain clean the area using a damp soft cloth and dry afterwards with a dry soft cloth

### Repairs

Contact  
CTO Lighting

### Warranty

Please visit  
[www.ctolighting.co.uk/  
pages/f-a-q](http://www.ctolighting.co.uk/pages/f-a-q)  
for CTO warranty policy

### Certification

