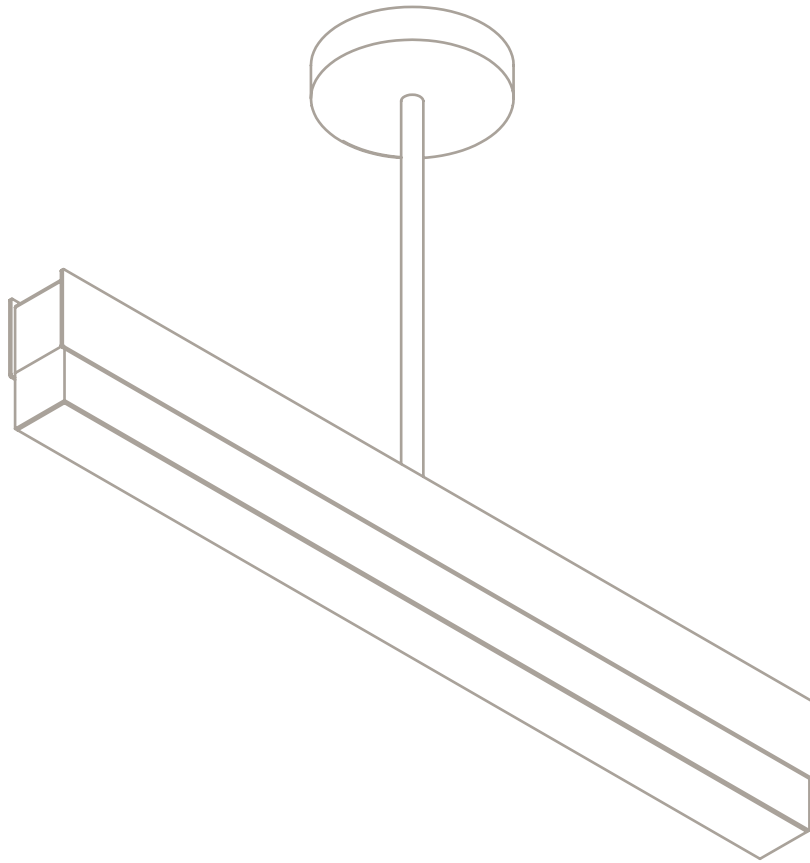


## ARTES 600 PENDANT

Installation Guide



!

Please handle with care and wear gloves at all times during assembly and installation to avoid damaging components.

## TECHNICAL

**Bulb Holder**  
integrated LED  
dimnable

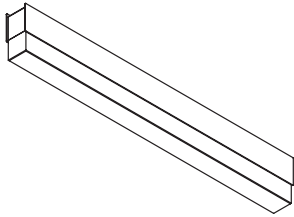
**Wattage**  
16w (2700k)

**Weight**  
6kg (13.2lbs)

## PARTS & COMPONENTS

- A - Artés 600 Pendant
- B - ceiling rose cover and drop rod
- C - mounting plate
- D - 4 x brass pan head screws, 4 x steel countersunk screws

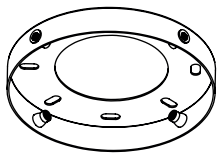
A.



B.



C.



D.

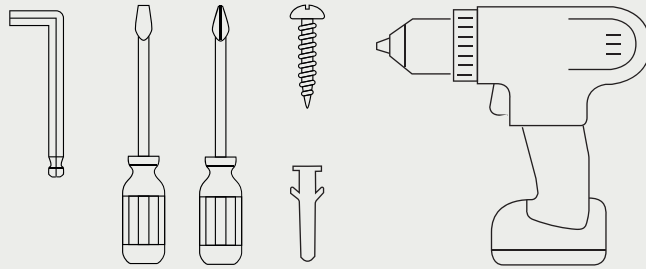


- All nuts and bolts required for assembling the light are included.



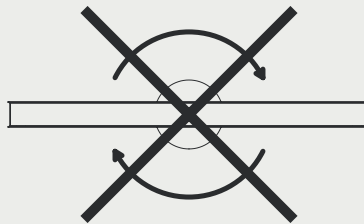
## BEFORE INSTALLATION

- Check that you have all components before starting the installation.
  - Installation must be carried out by a qualified electrician.
  - A minimum of two people is required to install a pendant light.
- Check that the ceiling or wall fixings are suitable and strong enough to support the weight of the light fixture.
  - You will need the below specific tools for a successful installation.



## PLEASE NOTE

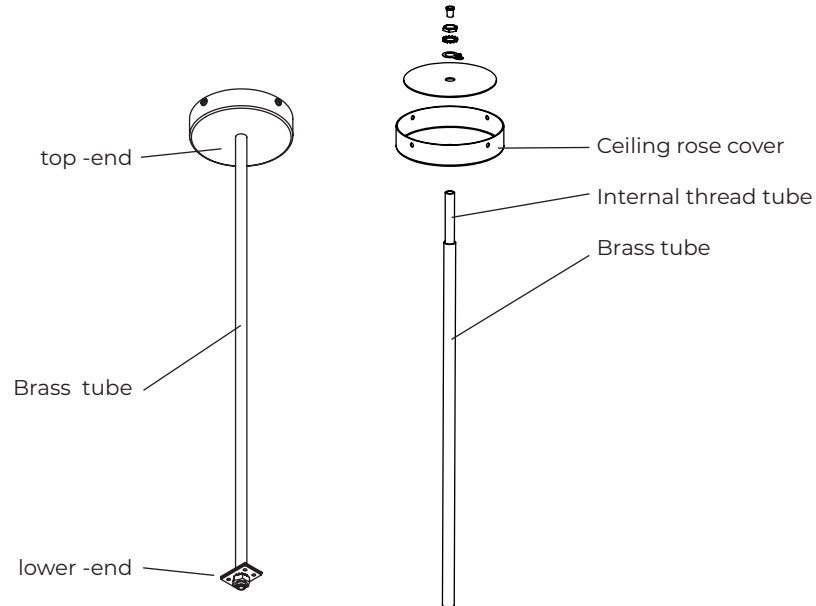
The pendant cannot be rotated once mounted to the ceiling.  
Ensure that it is installed in the desired position.



## HEIGHT ADJUSTMENT INSTRUCTIONS

Before attaching the drop-rod to the body of the light, calculate the required total drop from ceiling to bottom of pendant. If any height adjustment is required, follow the steps below:

1. Separate the brass tube and the internal threaded tube from the ceiling rose cover by unscrewing the bolt.

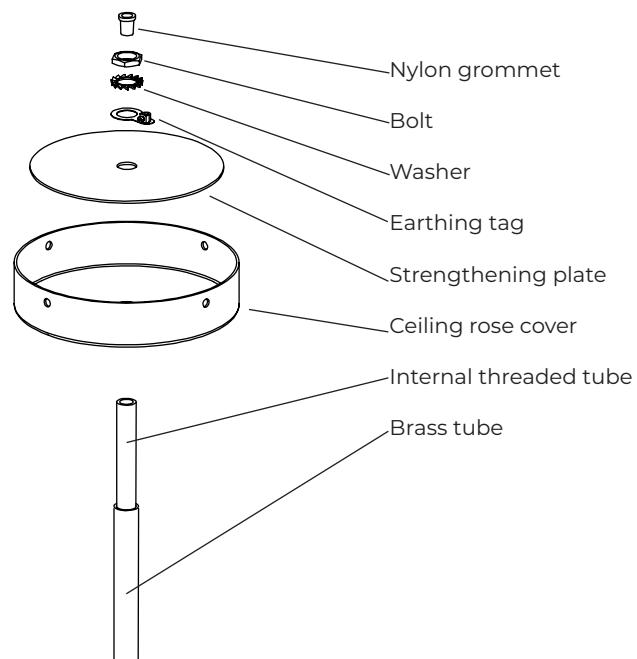


2. Measure the length the drop rod needs to be.
3. Cut the brass tube to this length using a hacksaw or similar tool.
4. Cut the same length from the top-end of the internal threaded tube.

NOTE: Internal threaded tube must always be longer than the brass tube.

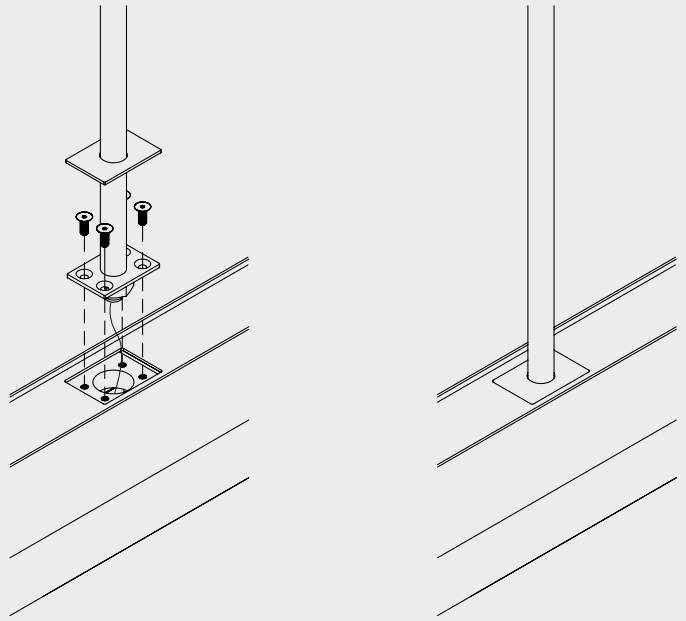
5. Once the brass tube and internal threaded tube are cut to correct lengths, slide the brass tube over the internal threaded tube and attach them back to the ceiling rose cover by using components provided.

6. Once satisfied with the fit, secure bolts and all-thread with Loc-tite or similar adhesive.



1. Thread the cable from the Artés Pendant through the drop rod and fix the two together using the 4 x steel countersunk screws until they are fully secure.

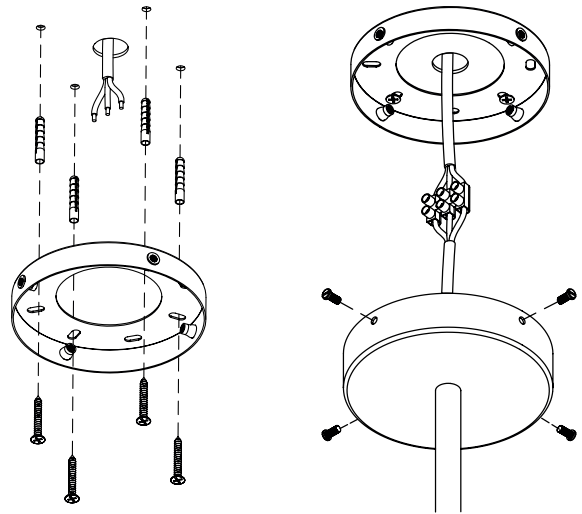
Lower the brass masking plate to hide the screw fittings



2. 240V

- A. Securely fix the mounting plate to the ceiling in the correct position using fixings suitable for the surface you are mounting to (not supplied).
- B. Raise the pendant and make the electrical connections inside the ceiling rose cover ensuring all wires are colour matched and the pendant is earthed correctly.

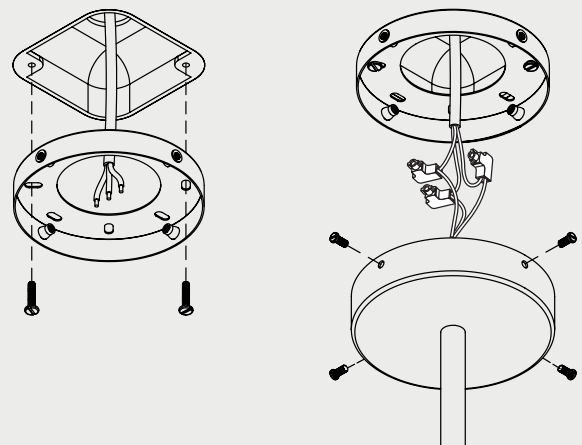
Bring the ceiling rose cover up to the mounted plate and secure with the four screws.



2. 120V  
US

- A. Fix the mounting plate to the junction box using suitable screws (not supplied).
- B. Raise the pendant and make the electrical connections inside the junction box ensuring all wires are colour matched and the pendant is earthed correctly.

Bring the ceiling rose cover up to the mounted plate and secure with the four screws.



## MAINTENANCE

### **Cleaning**

Use a soft dry cloth to clean. If any marks remain clean the area using a damp soft cloth and dry afterwards with a soft cloth

### **Repairs**

Contact  
CTO Lighting

### **Warranty**

Please visit  
[www.ctolighting.co.uk/  
pages/f-a-q](http://www.ctolighting.co.uk/pages/f-a-q)  
for CTO warranty policy

### **Certification**

