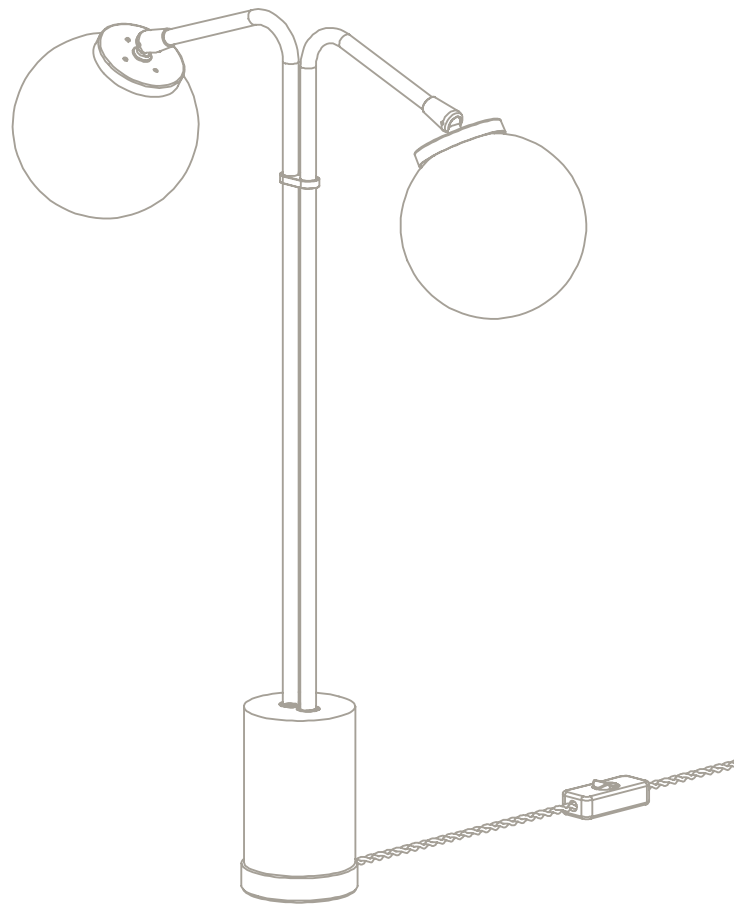


ARRAY TWIN OPAL TABLE

Installation Guide



!

Please handle with care and wear gloves at all times during assembly and installation to avoid damaging components.

TECHNICAL

Bulb Holder
240v - 2 x G9
120v - 2 x G9
(bulbs not supplied)

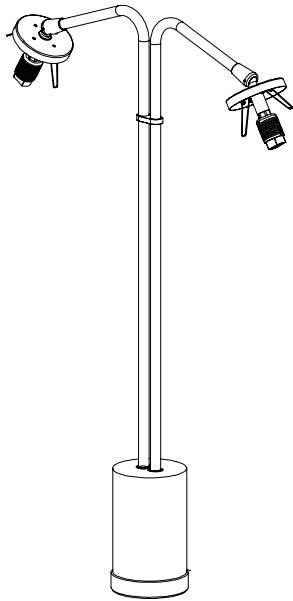
Wattage
25w max halogen
(or 2.3w LED 2700k)

Weight
6kg (13lbs)

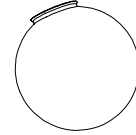
PARTS & COMPONENTS

- A. 1 x Array twin table base
- B. 2 x Opal glass shade

A.



B.



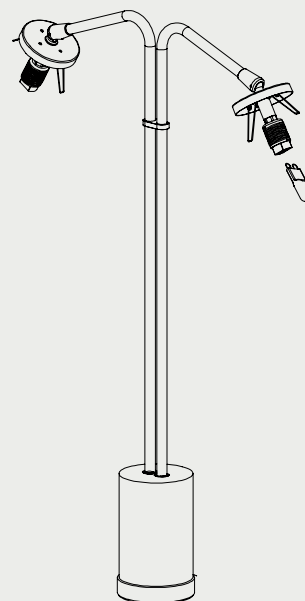
- All nuts and bolts required for the installation will be included in the delivery.



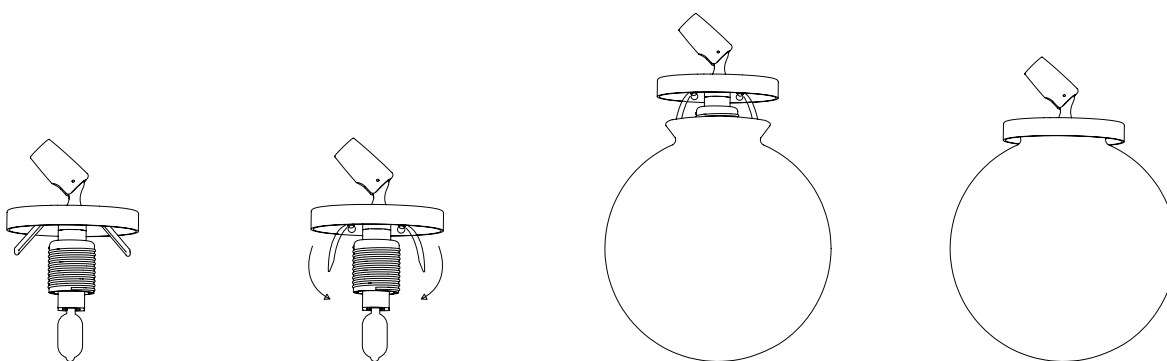
BEFORE INSTALLATION

- Check that you have all components before starting assembly.
- Assembly must be carried out by a qualified electrician.

1. Fit the bulbs to the lampholders (not supplied).



2. Pinch the spring clips inwards and hold, slowly feeding the opal glass shade over the spring clips. Do not release the opal glass shades too quickly.



MAINTENANCE

Cleaning

Dust using a dry lint-free cloth weekly or as required

Repairs

Contact
CTO Lighting

Warranty

Please visit
[www.ctolighting.co.uk/
pages/f-a-q](http://www.ctolighting.co.uk/pages/f-a-q)
for CTO warranty policy

Certification



E492309