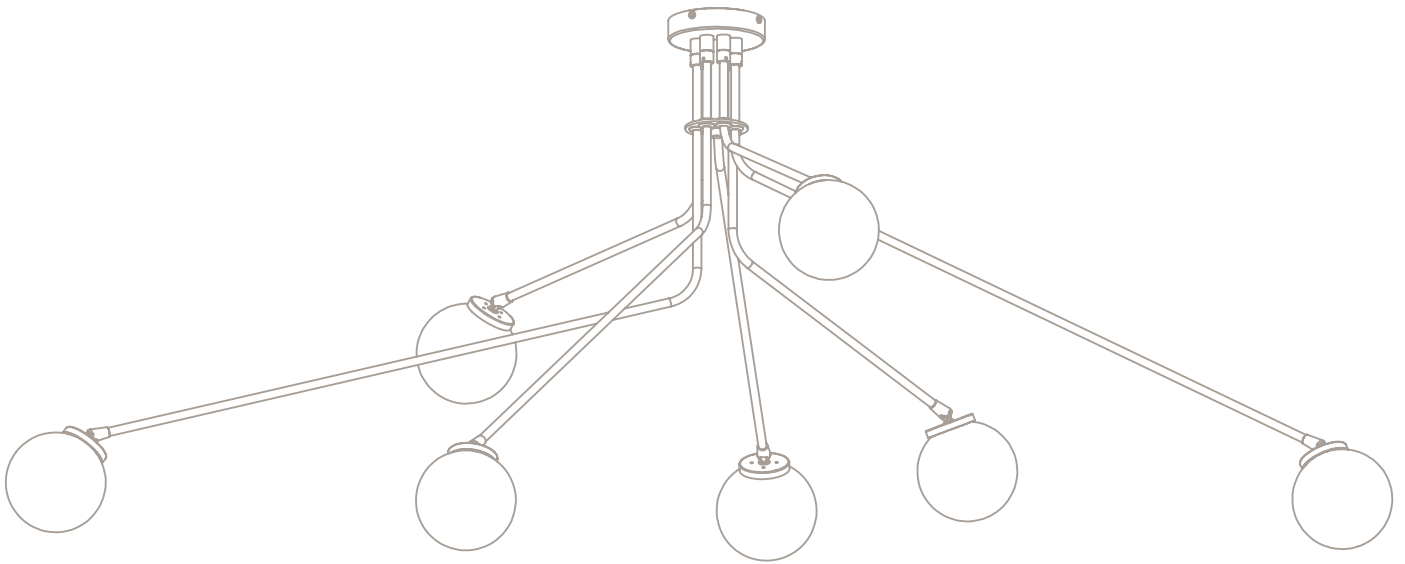


ARRAY OPAL PENDANT

Installation Guide



!

Please handle with care and wear gloves at all times during assembly and installation to avoid damaging components.

TECHNICAL

Bulb Holder
240v - 7 x G9
120v - 7 x G9
(no bulbs supplied)

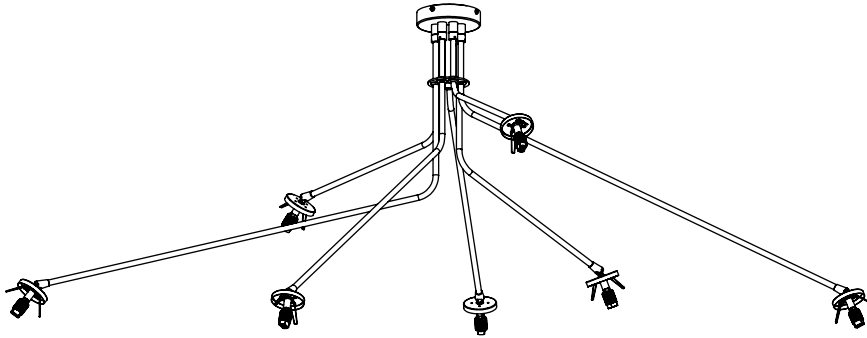
Wattage
25w max (or 2.3w LED 2700k)

Weight
15kg (33.1lbs)

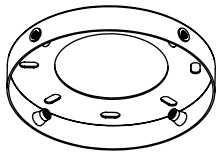
PARTS & COMPONENTS

- A. Array body
- B. 1 x Mounting plate
- C. 7 x Glass shades
- D. Array extension kit (if required)

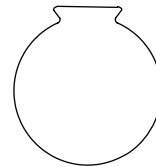
A.



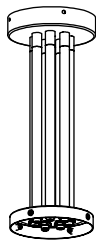
C.



D.



E.

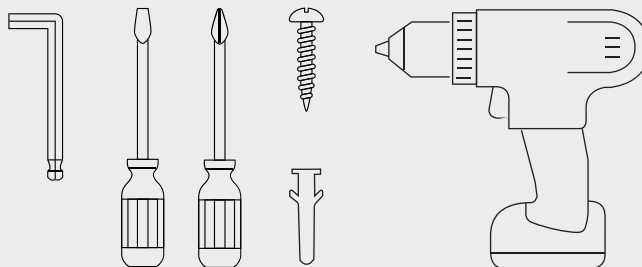


- All nuts and bolts required for assembling the light are included.



BEFORE INSTALLATION

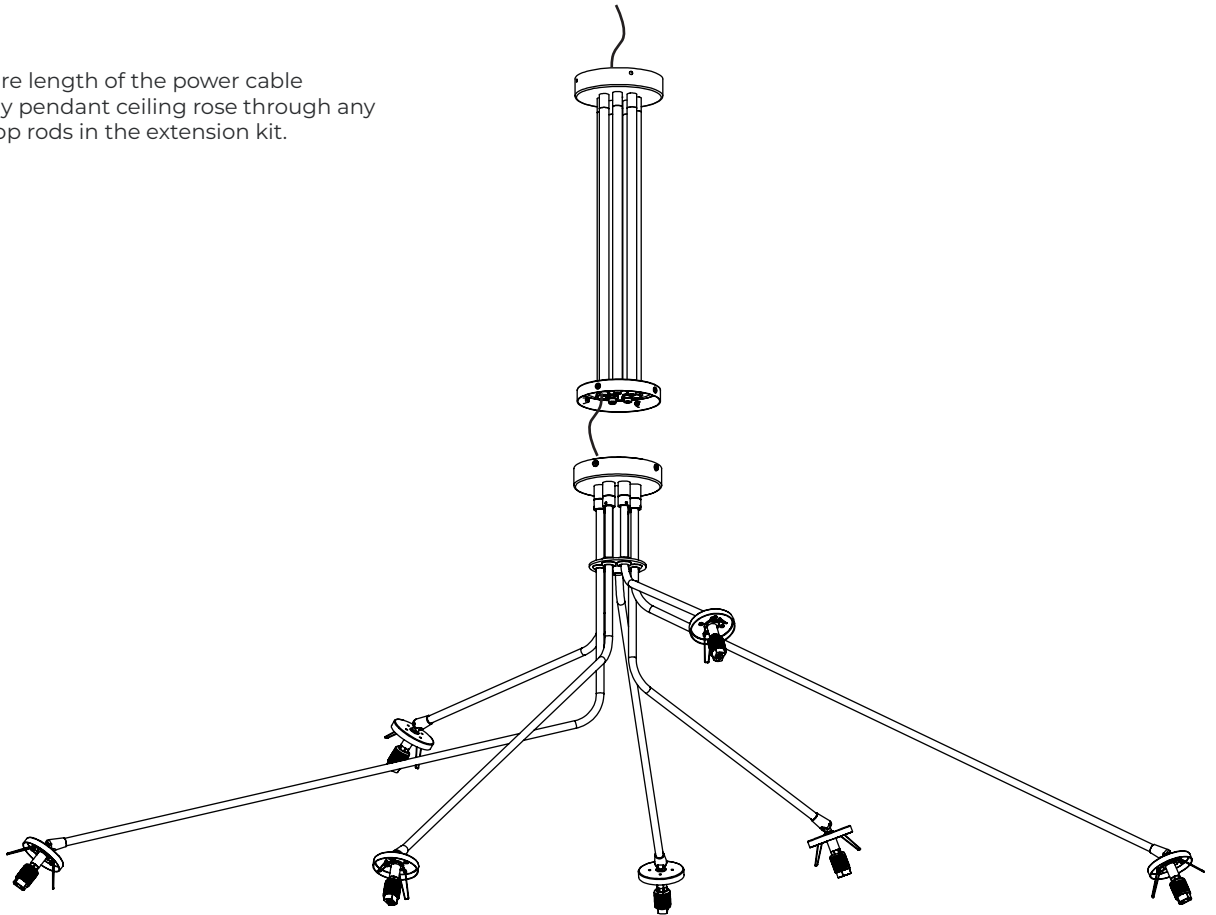
- Check that you have all components before starting the installation.
 - Installation must be carried out by a qualified electrician.
 - A minimum of two people is required to install a pendant light.
- Check that the ceiling or wall fixings are suitable and strong enough to support the weight of the light fixture.
 - You will need the below specific tools for a successful installation.



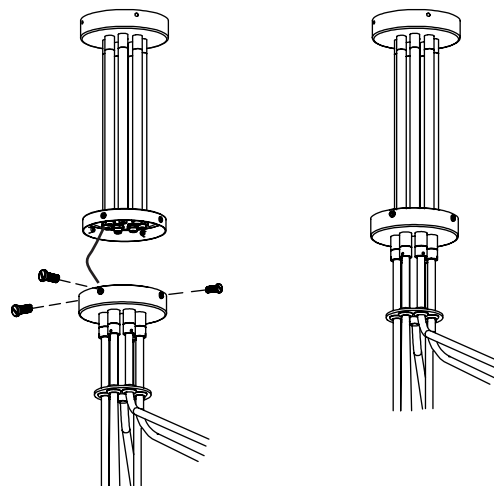
If installing with extension kit

Attach the extension kit to the body of the light fixture (extension kit is not adjustable on site).

-Feed the entire length of the power cable from the Array pendant ceiling rose through any one of the drop rods in the extension kit.



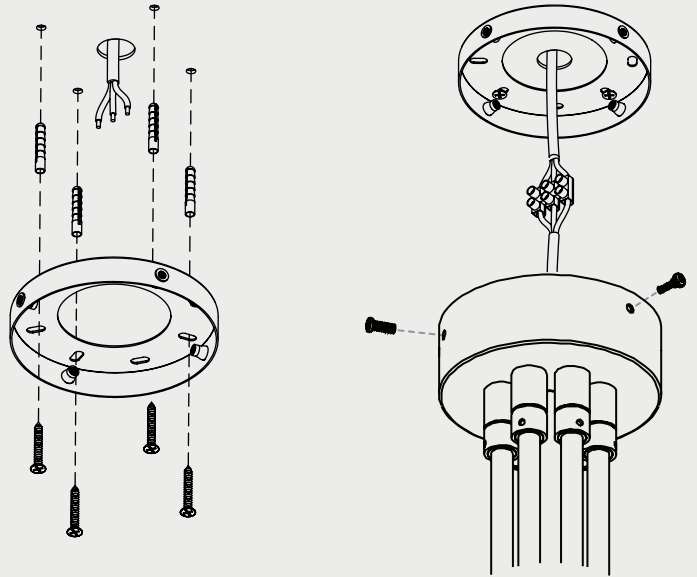
-Attach the top of the body to the extension kit using the screws provided.



1. 240V

- Securely fix the mounting plate to the ceiling in the correct position using fixings suitable for the surface you are mounting to (not supplied).
- Raise the pendant and make the electrical connections inside the ceiling rose ensuring all wires are colour matched and the pendant is earthed correctly.
- Bring the ceiling rose cover up to the mounted plate and secure with the four screws.

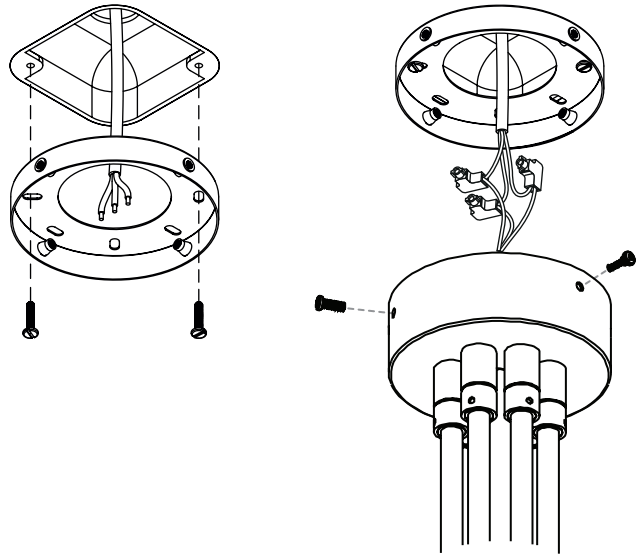
Note: Ensure that the weight of the pendant is fully supported during the electrical installation.



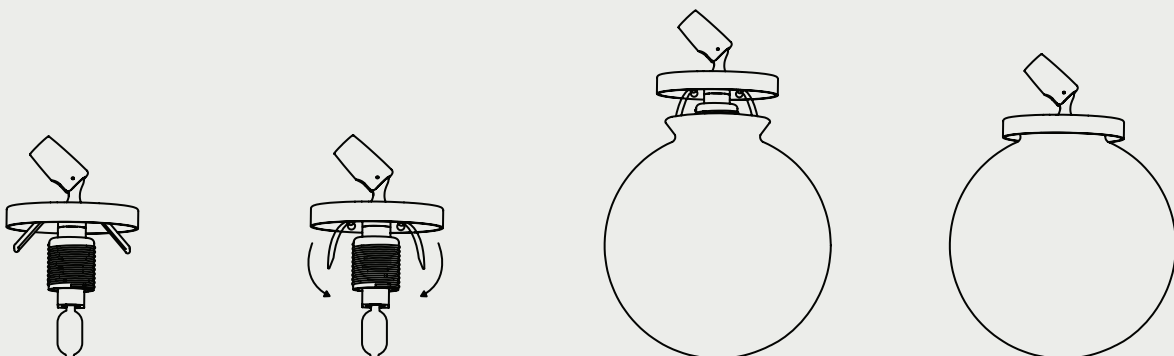
1. 120V US

- Fix the mounting plate to the junction box using suitable screws (not supplied).
- Raise the pendant and make the electrical connections inside the junction box ensuring all wires are colour matched and the pendant is earthed correctly.
- Bring the ceiling rose cover up to the mounted plate and secure with the four screws.

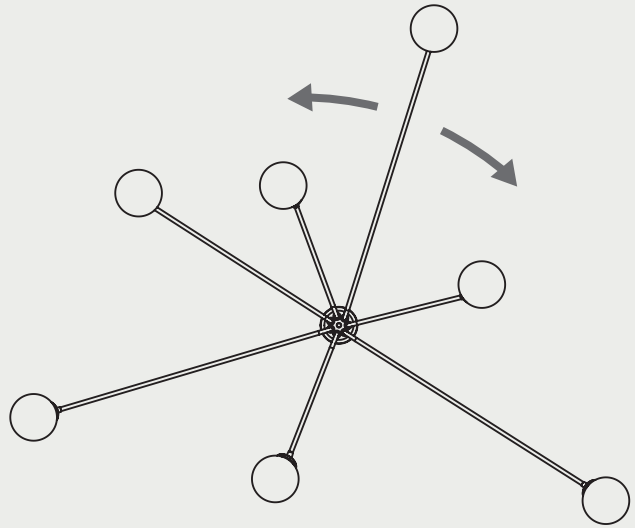
Note: Ensure that the weight of the pendant is fully supported during the electrical installation.



- ## 2.
- Fit the bulbs and shades to the pendant base. Pinch the spring clips inwards and hold, slowly feeding the opal glass shade over the spring clips. Do not release the opal glass shades too quickly.



3. Adjust the angles of arms to create your preferred configuration.



MAINTENANCE

Cleaning

Dust using a dry lint-free cloth weekly or as required

Repairs

Contact
CTO Lighting

Warranty

Please visit
[www.ctolighting.co.uk/
pages/f-a-q](http://www.ctolighting.co.uk/pages/f-a-q)
for CTO warranty policy

Certification



E492308