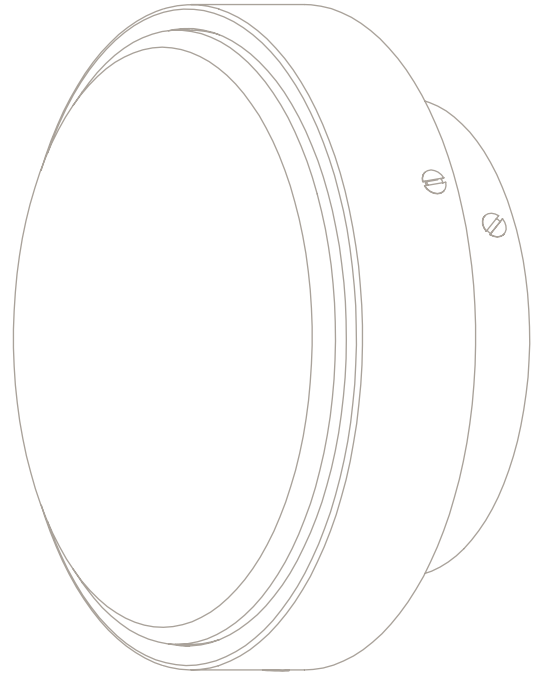
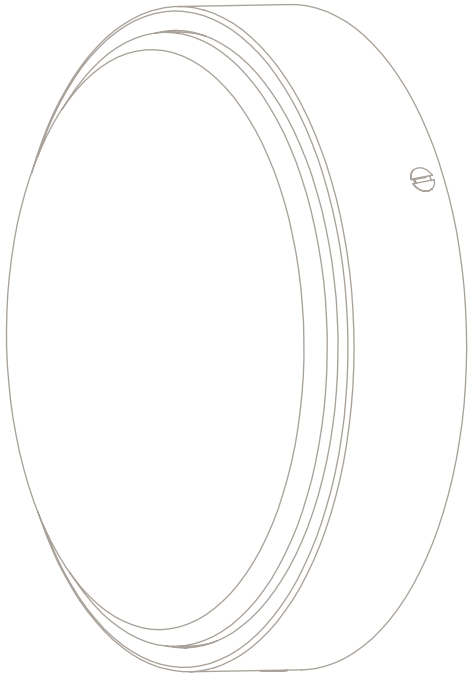


ANVERS SMALL WALL / CEILING MOUNTED

Installation Guide



!

Please handle with care and wear gloves at all times during Assembly and installation to avoid damaging components.

TECHNICAL

Bulb Holder
integrated LED
dimmable

Wattage
10.5w (3000k)

Weight
2.5 kg (5.5lbs)

PARTS & COMPONENTS

A - Deep wall box version / visit section A of installation guide (page 4)

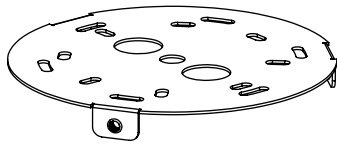
A.1 - 1 x mounting plate
A.2 - 1 x Anvers Small body

B - Flush version / visit section B of installation guide (page 6)

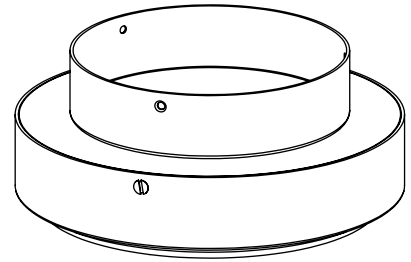
B.1 - 1 x mounting plate
B.2 - 1 x Anvers Small body

C - 1 x LED Driver
D - 3 x Fixing screws

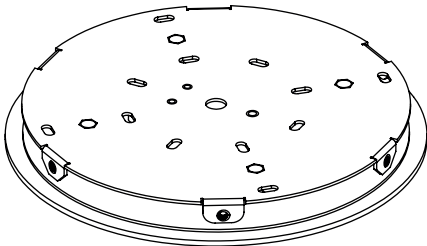
A.1



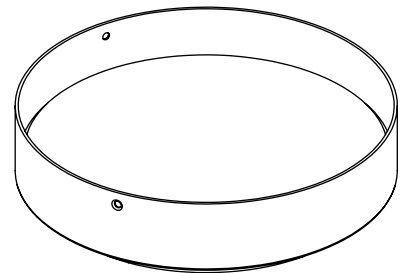
A.2



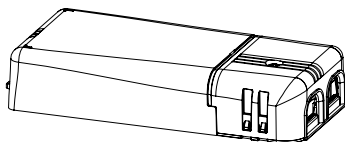
B.1



B.2



C.



D.

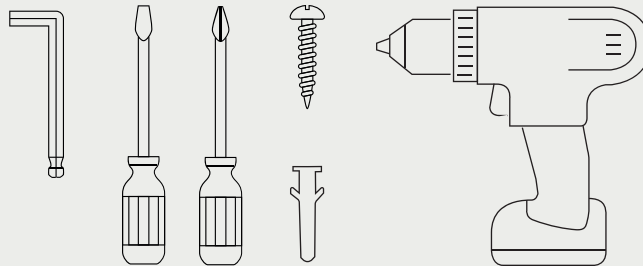


- All nuts and bolts required for assembling the light are included.



BEFORE INSTALLATION

- Check that you have all components before starting the installation.
 - Installation must be carried out by a qualified electrician.
 - A minimum of two people is required to install a pendant light.
- Check that the ceiling or wall fixings are suitable and strong enough to support the weight of the light fixture.
 - You will need these specific tools for a successful installation.



PLEASE NOTE

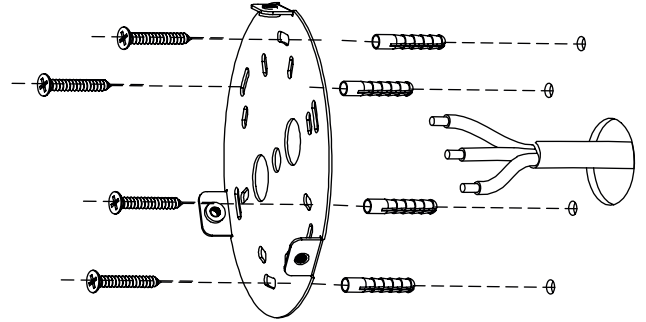
The pendant cannot be rotated once mounted to the ceiling.
Ensure that it is installed in the desired position.



A - Deep wall box version

1. 240V

Securely fix the mounting plate to the ceiling or wall in the correct position using fixings suitable for the surface you are mounting to (not supplied).

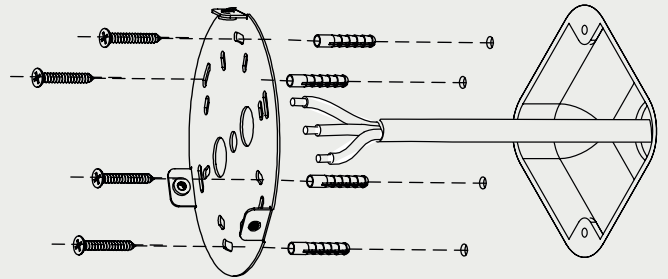


1. 120V

US

Fix the mounting plate over the junctionbox.

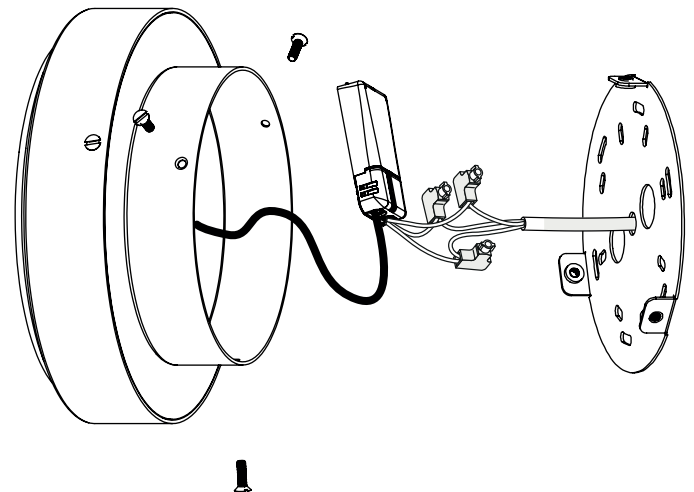
Ensure that suitable screws are being used for the surface you are mounting to (not supplied).



2.

Bring the body of the light closer to the mounting plate and make the electrical connections within wall rose, ensuring all wires are colour matched and the pendant is earthed correctly.

Note: Ensure that the weight of the fitting is fully supported during the electrical installation.

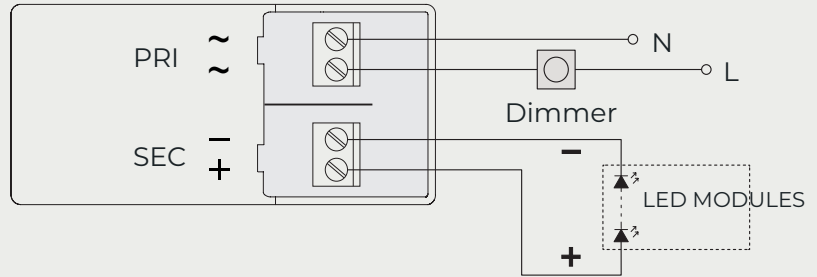


A. Make power connection to the LED driver. See wiring diagram.

Dimmer is optional. Please note, use trailing edge dimmer switch only.

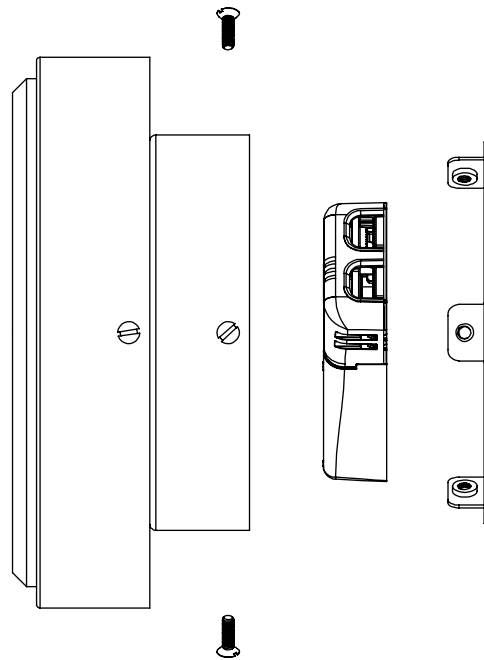
B. Make sure the pendant is earthed correctly.

Note: + is the red cable going to LED module
 - is the black cable going to the LED module



3. Bring the fitting up to the ceiling plate, to attach. Please note there is a hole location that needs to be lined up for correct installation. Rotate fitting to match hole locations on the tabs.

Fix using the 3 x M4 screw provided.

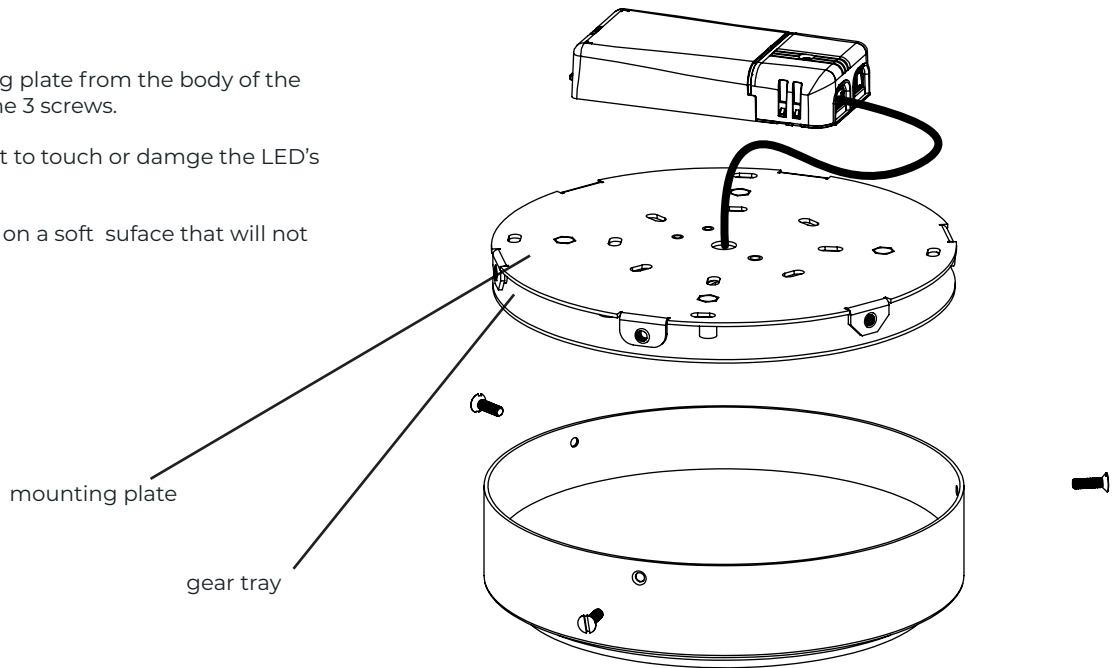


B - Flush version

1. Separate the mounting plate from the body of the fitting by removing the 3 screws.

Note: being careful not to touch or damage the LED's on the inside.

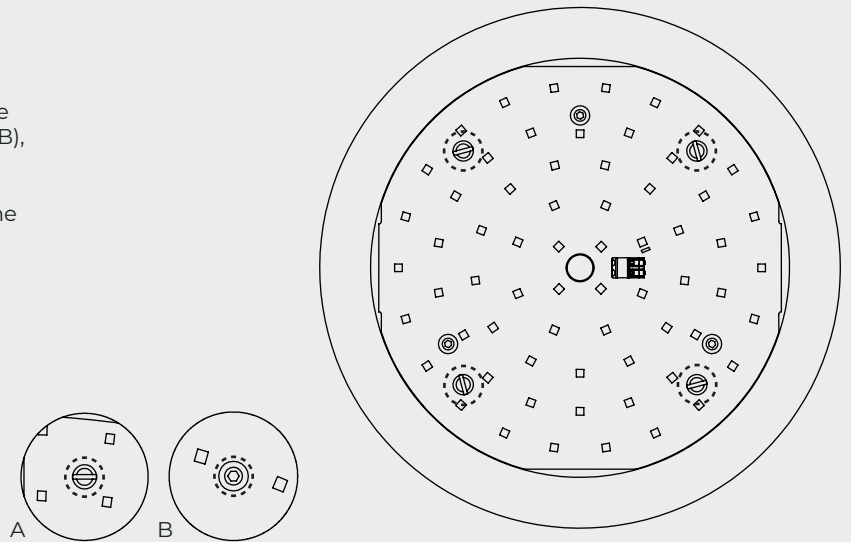
Note: Place the fitting on a soft surface that will not damage the stone



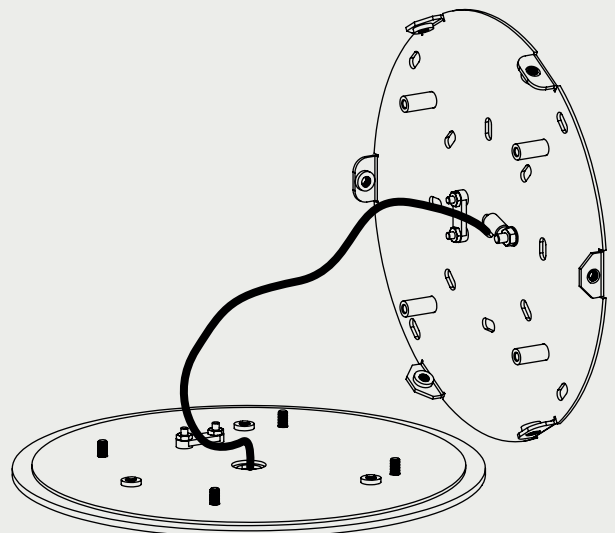
2. Separate the gear tray from the mounting plate.

To gain access to the main gear tray, remove only the flat head screws (A), do not remove Hex nut screws (B), this will keep the LED boards attached.

(A) screws marked by the dashed circles on one of the boards.



This will now give you access to the rear gear tray. Be careful not to over pull on the cable attaching these two parts together.

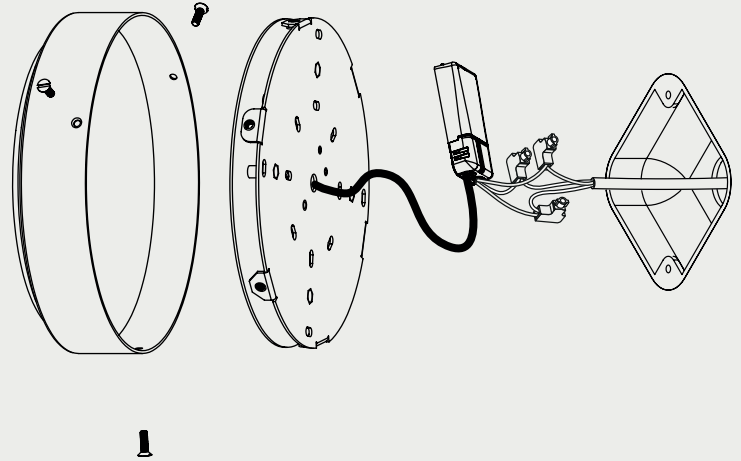


3. Fit the driver into the cavity of wall or ceiling.

Raise the light fitting and make the electrical connections within the cavity.

Ensuring all wires are colour matched and the pendant is earthed correctly.

Note: Ensure that the weight of the pendant is fully supported during the electrical installation.

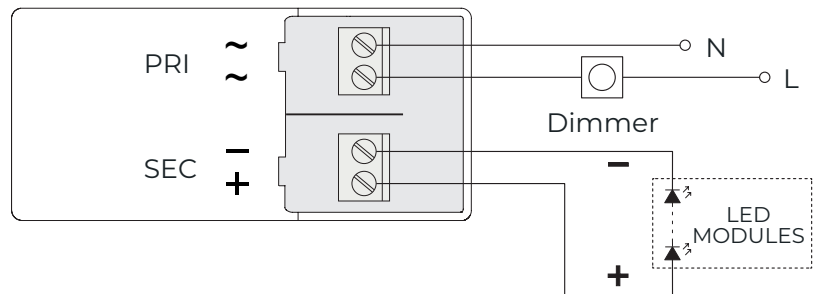


A. Make power connection to the LED driver. See wiring diagram.

Dimmer is optional. Please note, use trailing edge dimmer switch only.

B. Make sure the pendant is earthed correctly.

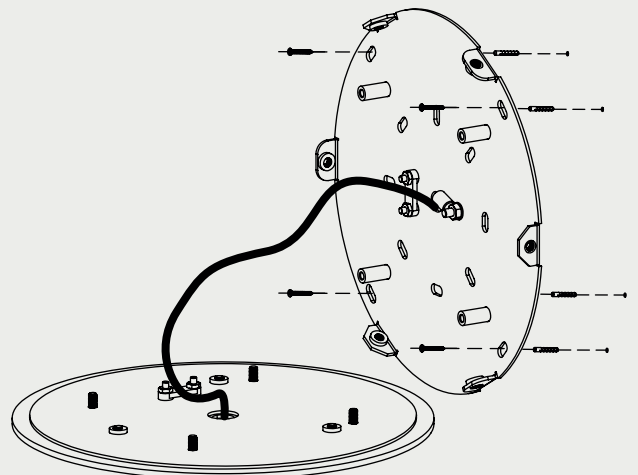
Note: + is the red cable going to LED module
- is the black cable going to the LED module



4. 240V

Securely fix the mounting plate to the wall or ceiling.

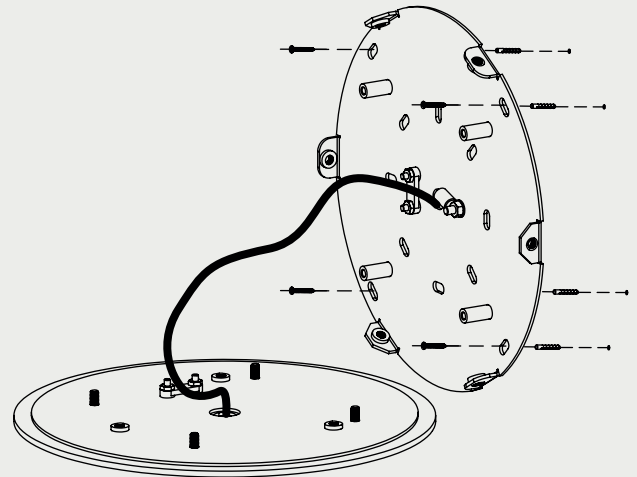
Ensure that suitable screws are being used for the surface you are mounting to (not supplied).



4. 110V

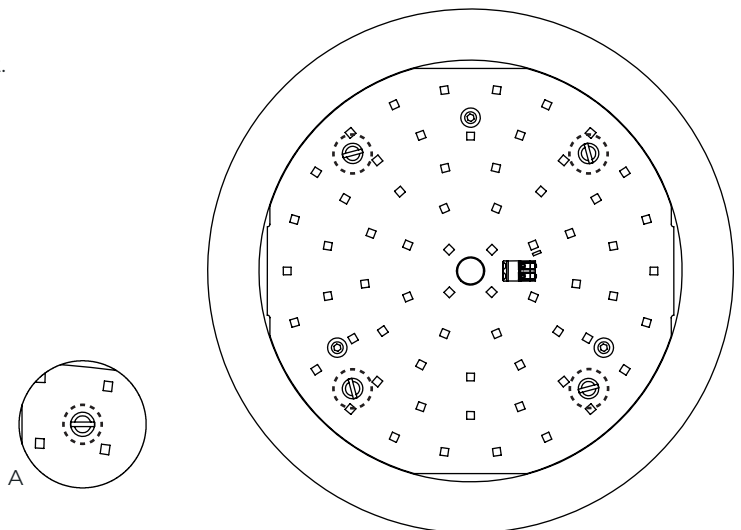
US Fix the mounting plate over the junctionbox.

Ensure that suitable screws are being used for the surface you are mounting to (not supplied).

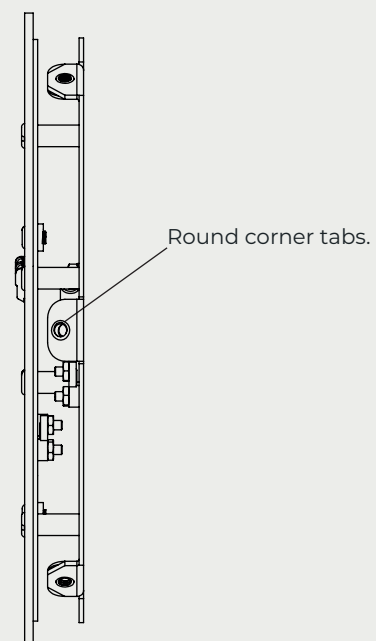


5. Attach the gear tray back to the mounting plate by using the flat head screws (A), you removed on step 2.

Note: being careful not to touch or damage the LED's on the inside.



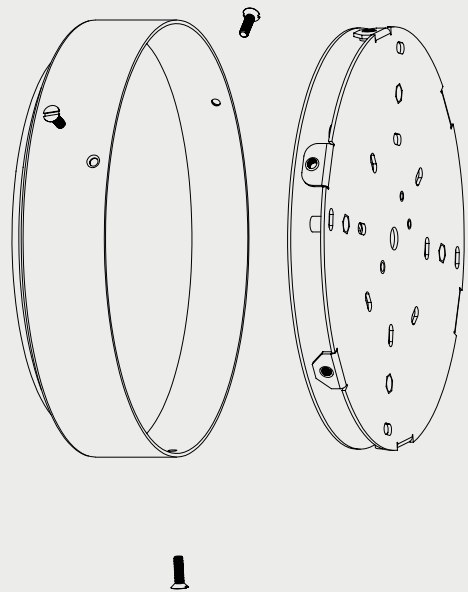
7. Before sliding the main body back onto the mounting plate, make sure you identify the tabs with rounded corners, and then align these with the holes on the main body before assembling these 2 parts.



8. Bring the fitting closer to the mounting plate

Make sure the gasket slides in correctly.

Fix using the 6 x M4 screw provided.



MAINTENANCE

Cleaning

Use a soft dry cloth to clean. If any marks remain clean the area using a damp soft cloth and dry afterwards with a soft cloth

Repairs

Contact
CTO Lighting

Warranty

Please visit
www.ctolighting/warranty
for CTO warranty policy

Certification