

CRYSTORAMA

LIGHTING THE WAY FOR SIXTY YEARS



Crystorama.com

ASSEMBLY INSTRUCTION MODEL #505-GA



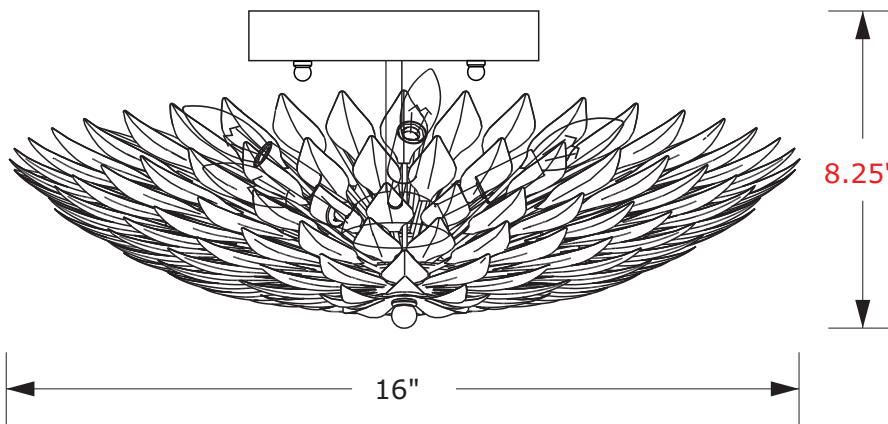
All electrical components must be installed by a licensed electrician in accordance with the National Electric Code and the appropriate local electrical codes.



You will need 4 -Candelabra Base Bulb
40 Watts Recommended 60 Watts Max.
USE LED BULBS FOR EXTENDED USE
THIS FIXTURE IS DAMP RATED

How to install

- 1.Insert recommended bulb (not included).
- 2.Raise the canopy onto the outlet box, and secure it with the ball nuts.



WARNING: This product can expose you to Lead, which is known to the State of California to cause cancer and/or birth defects or reproductive harm. For more information go to www.P65Warnings.ca.gov.

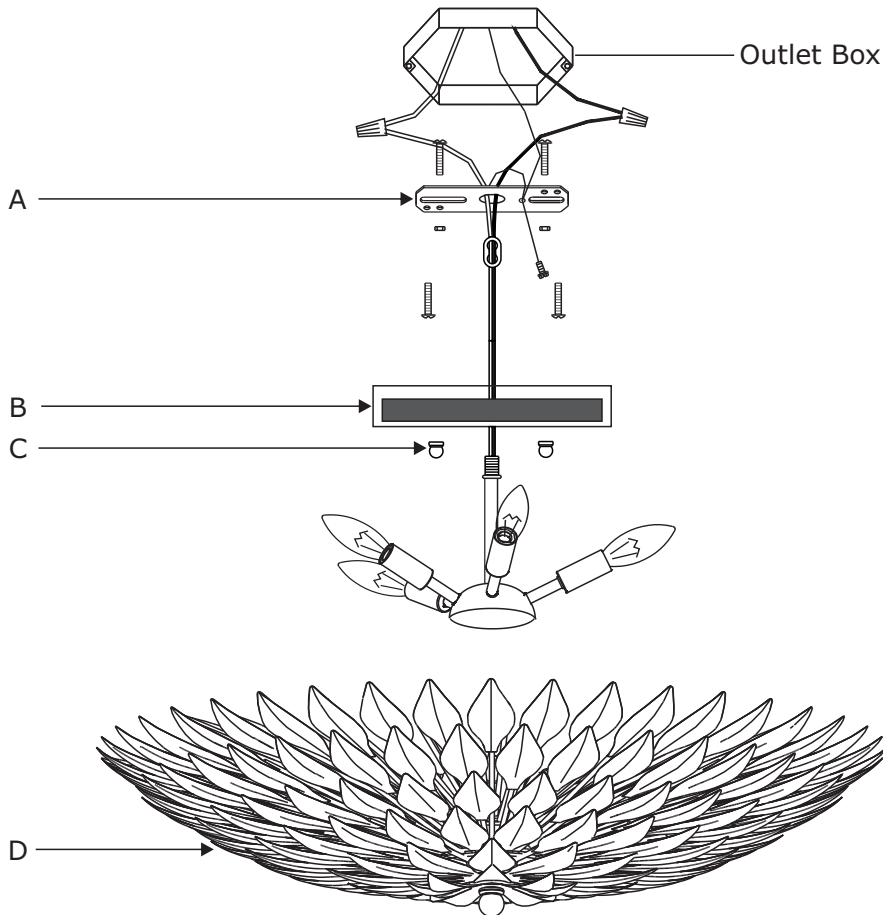
CRYSTORAMA

LIGHTING THE WAY FOR SIXTY YEARS



Crystorama.com

PART NUMBER MODEL #505-GA



Part Number

- A. (1) - Mounting Hardware
- B. (1) - Canopy(W4.25",H0.75") #XRE505GACAN4.25IN
- C. (2) - Ball Nut #XRE505GABANUT
- D. (1) - Leaf Assembly