

INSTALLATION INSTRUCTIONS FOR P8155-681

WARNING! SHUT POWER OFF AT FUSE OR CIRCUIT BREAKER.
AVERTISSEMENT ! COUPER LE COURANT AU NIVEAU DES FUSIBLES OU DO DISJONCTEUR

PREPARING FOR INSTALLATION (Fig. 1)

1. Shut off power at the fuse box or circuit breaker box and remove the old fixture including the mounting hardware.
2. Carefully unpack your new fixture and lay out all the parts in a clear area. Take care not to misplace any small parts necessary for installation.

SUGGESTED INSTALLATION (Fig. 1 and Fig. 2)

3. Remove the two mounting screws (E) from the side of the canopy (D) and remove the mounting plate (B).
4. Attach the mounting plate (B) to the junction box (not included) with the two outlet box screws (C) provided.
5. One 6" rod and one 12" rod were assembled on the fixture already, if not using additional rods, skip to step 9.
6. Loosen the wire nuts for the fixture wires inside the canopy. Put the short black and white wire aside. Loosen the hex nuts and lock washers to take the canopy (D) and front plate off from the rods (F2).
7. Thread the fixture wires up through the rods (F1) & (F2), then tighten to the fixture body (G). Determine the desired length of the fixture, adding the other rod (F1) or (F2) as needed.
8. Thread the fixture wires from the front plate up through the canopy (D), then secure with the lock washers and hex nuts. Cut excess wire leaving 7" for installation.

CONNECTING THE WIRES (Fig. 2)

9. Connect the electrical wires as shown in Fig. 2, making sure that all wire connectors are secured. If your outlet has a ground wire (green or bare copper), connect the fixture's ground wire to it. Otherwise, connect the fixture's ground wire directly to the mounting plate (B) using the green screw provided. Tuck the wire connections neatly into the junction box.

COMPLETING THE INSTALLATION (Fig. 1)

10. Attach the canopy (D) to the mounting plate (B) and secure it with the mounting screws (E).
11. Install the 6*40W Xenon bulb (I) (included) or LED equivalent in accordance with the fixture's specifications. **(DO NOT EXCEED THE MAXIMUM WATTAGE RATING!).**
12. Place glass shade (J) over the socket and twist to secure it to the socket cup (H). Don't over tighten.
13. Adjust each light arm (K) to the desired position.

Your installation is now complete. Return power to the junction box and test the fixture.

Fig.1

- set# A-021-114D
- Mounting plate
 - Ground screw
 - Mounting screws*2pcs

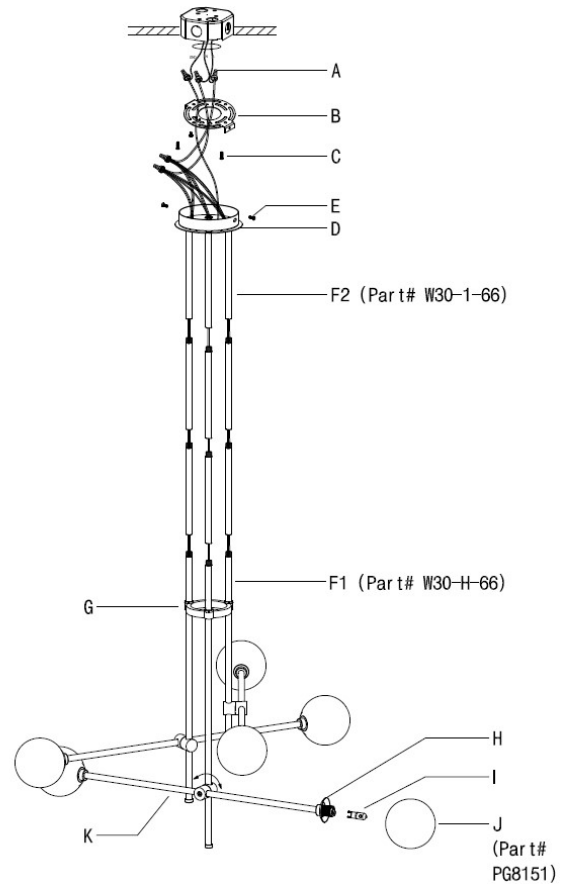


Fig. 2

