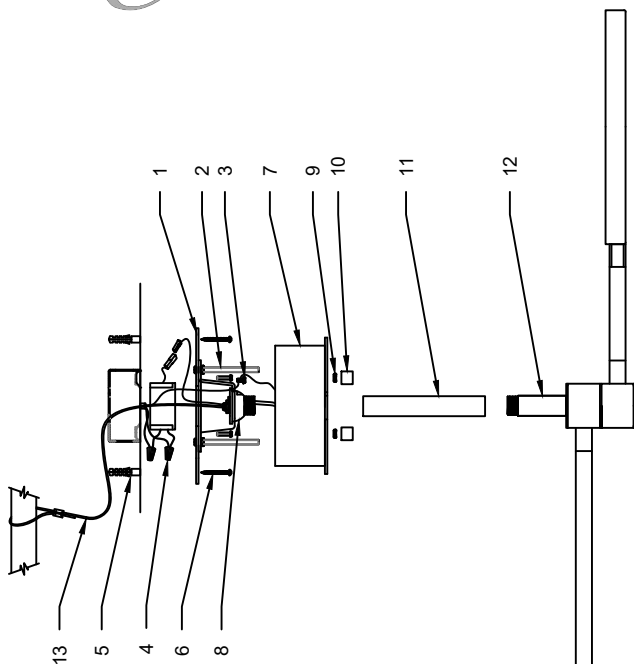




BEIRUT
338-06
INSTALLATION INSTRUCTIONS



ITEM	DESCRIPTION	PART NUMBER
1	MOUNTING PLATE	HDW-338-03
2	MOUNTING SCREW	SCR-338-01-M
3	GROUND SCREW	SCR-338-01-G
4	WIRE NUT	NUT-338-01
5	WALL ANCHORS	MIS-338-03
6	WOOD SCREW	SCR-338-03-W
7	CANOPY	CPY-338-03
8	SWIVEL	SWL-338-03
9	HEX NUT	NUT-338-06-H
10	BOLT NUT	NUT-338-03-B
11	STEM	STM-338-03-06,12,18
12	FIXTURE ASSEMBLY	FAS-338-06
13	SAFETY CABLE	CBL-338-01

WARNING/CAUTION

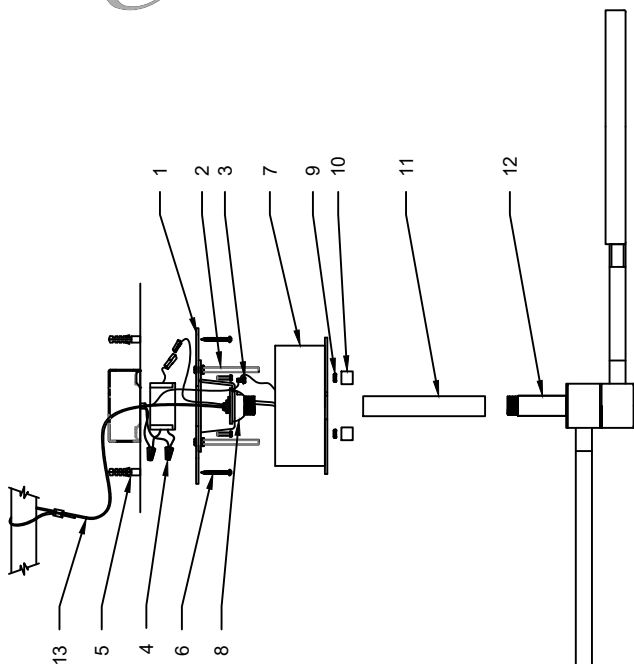
- **DISCONNECT POWER BEFORE RE-LAMPING OR WIRING THE FIXTURE. READ ALL INSTRUCTIONS COMPLETELY BEFORE STARTING INSTALLATION.**
- **TO AVOID THE RISK OF FIRE OR SHOCK, FIXTURE MUST BE INSTALLED IN COMPLIANCE WITH ALL APPLICABLE NATIONAL AND LOCAL ELECTRICAL/BUILDING CODES. THE INSTALLATION AND MAINTENANCE OF THIS UNIT SHOULD BE COMPLETED BY A LICENSED ELECTRICIAN OR CERTIFIED FACTORY TRAINED TECHNICIAN.**
- **CALIFORNIA PROP 65: THIS LIGHTING FIXTURE CONTAINS CHEMICALS KNOWN TO THE STATE OF CALIFORNIA TO CAUSE CANCER, BIRTH DEFECTS, AND/OR OTHER REPRODUCTIVE HARM. WASH HANDS AFTER USE.**
- **REMOVE THE FIXTURE, PARTS AND PARTS BAG(S) FROM THE CARTON. BEFORE DISCARDING THE CARTON, DOUBLE CHECK TO MAKE CERTAIN THAT ALL PARTS ARE FOUND. INSPECT THE FIXTURE PRIOR TO INSTALLATION FOR ANY DAMAGE TO THE FIXTURE.**
- **DIMMING: THE FIXTURE CAN BE CONTROLLED BY A WALL DIMMING DEVICE. ONLY USE TRIAC/ELECTRONIC DIMMER. MAKE SURE THE CARTON IS MARKED FOR USE WITH LED COMPACT FLUORESCENT-INCANDESCENT LIGHT SOURCE ONLY. THESE CAN BE PROVIDED BY YOUR LOCAL ELECTRICAL DISTRIBUTOR, HOME CENTER, OR HARDWARE STORE.**
- **PLEASE CLEAN WITH A SOFT, DRY CLOTH ONLY! DO NOT USE CLEANSERS**

FIXTURE INSTALLATION

1. Slide crimp type cable clamp onto the safety cable. Feed the SAFETY CABLE (13) down through one of the holes in the top of the outlet box. Loop the SAFETY CABLE (13) over the approved support. Feed the SAFETY CABLE (13) back through the top of the box and the cable clamp. Using the crimping tool, tightly crimp the cable clamp to lock the SAFETY CABLE (13) in position.
2. Determine the location for the lamp. Using the MOUNTING PLATE (1) as a template, mark the location of the holes for the wall WALL ANCHORS(5).
3. Drill the appropriate size holes for the WALL ANCHORS(5). (the holes should be slightly smaller than the size of the anchors.) Install the WALL ANCHORS(5) to the hole.
4. Attach the MOUNTING PLATE (1) onto the junction box using the MOUNTING SCREWS (2). This fixture is designed to be mounted on standard junction box. The junction box must be securely mounted to the structure of the building. Screw in the WOOD SCREW (6) to the WALL ANCHORS(5).
5. Feed the wire through the STEM (11) and twist tightly onto the FIXTURE ASSEMBLY (12). Keep adding additional stems until you desired hanging height is met.
2. Slide in CANOPY(7) onto the STEM (11), and thread the SWIVEL (8) onto the top end of the STEM (11).
3. Pull the wire out from the junction box, and install the MOUNTING PLATE (1) onto the junction box using the MOUNTING SCREWS (2). This fixture is designed to be mounted on standard round or octagon junction box. The junction box must be securely mounted to the structure of the building.
4. Trim off the excess wire to a minimum 6" beyond the STEM and strip each wire $\frac{5}{8}$ ".
5. Attach the Ground wire (Green) to the ground inside the outlet box (Generally green or bar copper wire) or the GROUND SCREW (3) on the MOUNTING PLATE (1). **NEVER CONNECT GROUND WIRE TO "HOT" WIRE! FAILURE TO FOLLOW THIS COULD RESULT IN SERIOUS INJURY OR DEATH!**
6. Connect the white fixture lead to the neutral (Generally white) wire in the outlet box. Fasten the wires together with an approved fastener (WIRE NUT) (4). Starting 1" below the fastener, tightly wrap the connection with electrical tape so that the connections seals the end of the fastener. **MAKE SURE THERE ARE NO EXPOSED WIRE OF STRANDS THAT COULD CAUSE A DANGEROUS SHORT CIRCUIT!**
7. Connect the black fixture leads to the hot (Generally black) wire in the junction box. Fasten the joined wires same as previous step. **NEVER REVERSE HOT AND NEUTRAL WIRES. FAILURE TO FOLLOW THIS COULD RESULT IN SERIOUS INJURY OR DEATH!**
8. Attach the FIXTURE ASSEMBLY (12) to the MOUNTING PLATE (1) and secure it with the HEX NUT (9) and BOLT NUT (10).
9. Restore power to the outlet at the breaker or fuse box.



BEIRUT
338-06
INSTALLATION INSTRUCTIONS



ITEM	DESCRIPTION	PART NUMBER
1	MOUNTING PLATE	HDW-338-03
2	MOUNTING SCREW	SCR-338-01-M
3	GROUND SCREW	SCR-338-01-G
4	WIRE NUT	NUT-338-01
5	WALL ANCHORS	MIS-338-03
6	WOOD SCREW	SCR-338-03-W
7	CANOPY	CPY-338-03
8	SWIVEL	SWL-338-03
9	HEX NUT	NUT-338-06-H
10	BOLT NUT	NUT-338-03-B
11	STEM	STM-338-03-06,12,18
12	FIXTURE ASSEMBLY	FAS-338-06
13	SAFETY CABLE	CBL-338-01

ATTENTION PRUDENCE

- DÉBRANCHEZ L'ALIMENTATION AVANT DE REMPLIR OU DE CÂBLER LE LUMINAIRE. LISEZ COMPLÈTEMENT TOUTES LES INSTRUCTIONS AVANT DE COMMENCER L'INSTALLATION
- POUR ÉVITER LE RISQUE D'INCENDIE OU D'ÉLECTROCUTION, LE LUMINAIRE DOIT ÊTRE INSTALLÉ CONFORMÉMENT À TOUS LES CODES ÉLECTRIQUES/DE CONSTRUCTION NATIONAUX ET LOCAUX APPLICABLES. L'INSTALLATION ET L'ENTRETIEN DE CET APPAREIL DOIVENT ÊTRE EFFECTUÉS PAR UN ÉLECTRICIEN AGRÉÉ OU UN TECHNICIEN CERTIFIÉ FORMÉ EN USINE.
- CALIFORNIE PROP 65 : CET APPAREIL D'ÉCLAIRAGE CONTIENT DES PRODUITS CHIMIQUES CONNUS PAR L'ÉTAT DE CALIFORNIE POUR PROVOQUER LE CANCER, DES MALADIES CONGÉNITALES ET/OU D'AUTRES DOMMAGES À LA REPRODUCTION. LAVER LES MAINS APRÈS UTILISATION.
- RETIRER LE LUMINAIRE, LES PIÈCES ET LE(S) SAC(S) DE PIÈCES DU CARTON. AVANT DE JETER LE CARTON, VÉRIFIEZ DOUBLE POUR VOUS ASSURER QUE TOUTES LES PIÈCES SONT TROUVÉES. INSPECTER LE LUMINAIRE AVANT L'INSTALLATION POUR TOUT DOMMAGE AU LUMINAIRE.
- GRADATION : LE LUMINAIRE PEUT ÊTRE CONTRÔLÉ PAR UN DISPOSITIF DE GRADATION MURALE. UTILISER UNIQUEMENT UN GRADATEUR TRIAC/ÉLECTRONIQUE. ASSUREZ-VOUS QUE LE CARTON EST MARQUÉ POUR UNE UTILISATION AVEC UNE SOURCE DE LUMIÈRE FLUORESCENTE À INCANDESCENTE COMPACTE UNIQUEMENT. CEUX-CI PEUVENT ÊTRE FOURNIS PAR VOTRE DISTRIBUTEUR ÉLECTRIQUE LOCAL, CENTRE À DOMICILE OU MAGASIN DE QUINCAILLERIE.
- VEUILLEZ NETTOYER UNIQUEMENT AVEC UN CHIFFON DOUX ET SEC ! N'UTILISEZ PAS DE NETTOYANTS

FIXTURE INSTALLATION

1. Slide crimp type cable clamp onto the safety cable. Feed the SAFETY CABLE (13) down through one of the holes in the top of the outlet box. Loop the SAFETY CABLE (13) over the approved support. Feed the SAFETY CABLE (13) back through the top of the box and the cable clamp. Using the crimping tool, tightly crimp the cable clamp to lock the SAFETY CABLE (13) in position.
2. Determine the location for the lamp. Using the MOUNTING PLATE (1) as a template, mark the location of the holes for the wall WALL ANCHORS(5).
3. Drill the appropriate size holes for the WALL ANCHORS(5). (the holes should be slightly smaller than the size of the anchors.) Install the WALL ANCHORS(5) to the hole.
4. Attach the MOUNTING PLATE (1) onto the junction box using the MOUNTING SCREWS (2). This fixture is designed to be mounted on standard junction box. The junction box must be securely mounted to the structure of the building. Screw in the WOOD SCREW (6) to the WALL ANCHORS(5).
5. Feed the wire through the STEM (11) and twist tightly onto the FIXTURE ASSEMBLY (12). Keep adding additional stems until you desired hanging height is met.
2. Slide in CANOPY(7) onto the STEM (11), and thread the SWIVEL (8) onto the top end of the STEM (11).
3. Pull the wire out from the junction box, and install the MOUNTING PLATE (1) onto the junction box using the MOUNTING SCREWS (2). This fixture is designed to be mounted on standard round or octagon junction box. The junction box must be securely mounted to the structure of the building.
4. Trim off the excess wire to a minimum 6" beyond the STEM and strip each wire $\frac{5}{8}$ ".
5. Attach the Ground wire (Green) to the ground inside the outlet box (Generally green or bar copper wire) or the GROUND SCREW (3) on the MOUNTING PLATE (1). **NEVER CONNECT GROUND WIRE TO "HOT" WIRE! FAILURE TO FOLLOW THIS COULD RESULT IN SERIOUS INJURY OR DEATH!**
6. Connect the white fixture lead to the neutral (Generally white) wire in the outlet box. Fasten the wires together with an approved fastener (WIRE NUT) (4). Starting 1" below the fastener, tightly wrap the connection with electrical tape so that the connections seals the end of the fastener. **MAKE SURE THERE ARE NO EXPOSED WIRE OF STRANDS THAT COULD CAUSE A DANGEROUS SHORT CIRCUIT!**
7. Connect the black fixture leads to the hot (Generally black) wire in the junction box. Fasten the joined wires same as previous step. **NEVER REVERSE HOT AND NEUTRAL WIRES. FAILURE TO FOLLOW THIS COULD RESULT IN SERIOUS INJURY OR DEATH!**
8. Attach the FIXTURE ASSEMBLY (12) to the MOUNTING PLATE (1) and secure it with the HEX NUT (9) and BOLT NUT (10).
9. Restore power to the outlet at the breaker or fuse box.