

# LED Product Information and Warnings

## Important

- **Always disconnect the power before installing or replacing bulbs and before cleaning or other maintenance.**
- **Consult a qualified, licensed electrician to ensure correct branch circuit conductor.**
- Please read all included assembly instructions and warnings carefully before installation. Contact Customer Service if you have any questions or concerns. Before installation, please confirm that the fixture is compatible with your supply voltage and dimming system, if present.
- LEDs are highly sensitive electronic devices, and must be treated with care. Do not open any factory sealed compartments, and avoid touching the LEDs with your hands or any object.
- Although all our fixtures are equipped with protective devices, LED fixtures are vulnerable to power surges and supply variations. Do not install LED fixtures on the same circuit as any motors, appliances, or HVAC systems.
- Do not remove or bypass any LED Driver or Transformer that is provided with the fixture, and do not replace or substitute with another power supply.
- Remote LED Driver or Transformer installation must be done by a licensed electrician and in accordance with local codes. Remote installations should be in an accessible location, as close to the fixture as possible.
- Fixtures must be wired in parallel on independent leads; do not "daisy chain" multiple fixtures together or wire them in series.
- All factory-made splices and connections must remain intact. LED circuits are carefully designed and built, and improper connections may damage the fixture.
- The ends of coaxial pendant cords have been precisely stripped and split at the factory and must not be field cut. Excess cord or cable should be neatly coiled and reserved in the fixture canopy.
- Any mounting hardware is provided for your convenience and should be used with discretion. Always use the appropriate hardware for the mounting surface.

January 13, 2020

# Assembly Instructions

## INSTRUCTIONS D'INSTALLATION

Coral Surface Series - LED Surface Mount

2191

### Important

- Always disconnect the power before installing and before cleaning or other maintenance.
  - Consult a qualified, licensed electrician to ensure correct branch circuit conductor.
- Consulter un électricien qualifié pour vous assurer que les conducteurs de la dérivation sont adéquats.*

1. Shut off power to the outlet box (A).
2. Make appropriate electrical connections using wire nuts (Must use 24VDC Constant Voltage Driver):

#### Standard Driver:

- a. Connect the LED driver's (B) live wire (black) to the live outlet box wire.
- b. Connect the LED driver's (B) neutral wire (white) to the neutral outlet box wire.
- c. Connect the fixture's ground wire (green or uncoated) to the ground outlet box wire. If no ground is present in outlet box, connect fixture's ground wire to the mounting plate (C) using the green screw (included).
- d. Connect low voltage output wires from LED driver to provided solid wires (J). Install solid wires (J) into port (D) on mounting plate (C) by pushing one of the wires into each hole. (Fig. 1)
- e. Carefully place connections and LED driver in outlet box (A).

#### Remote Driver:

- a. Connect the LED driver's (B) live wire (black) to the live supply wire.
  - b. Connect the LED driver's neutral wire (white) to the neutral supply wire.
  - c. Connect the LED driver's positive (+) output wire to the necessary length of wire (not included) to reach the fixture location.
  - d. Connect the LED driver's negative (-) output wire to the necessary length of wire (not included) to reach the fixture location.
  - e. Drill a small hole in the wall behind the fixture and pull the low voltage wires through the wall.
  - f. Connect low voltage output wires from LED driver to provided solid wires (J). Install solid wires (J) into port (D) on mounting plate (C) by pushing one of the wires into each hole. (Fig. 1)
  - g. Remove ground screw from mounting plate (C) so that fixture can sit flush against the wall.
4. Using the mounting plate (C) as a template, install anchors (E). Install mounting plate (C) with mounting screws (F) to anchors (E) and outlet box screws (G) to outlet box (A). **Note:** If no outlet box is present, replace outlet box screws with anchors and mounting screws.
  5. Snap cover (H) into place on mounting plate (C). **Note:** If multiple fixtures are used see Page 2 before snapping covers in place.
  6. Restore power to the outlet box (A).

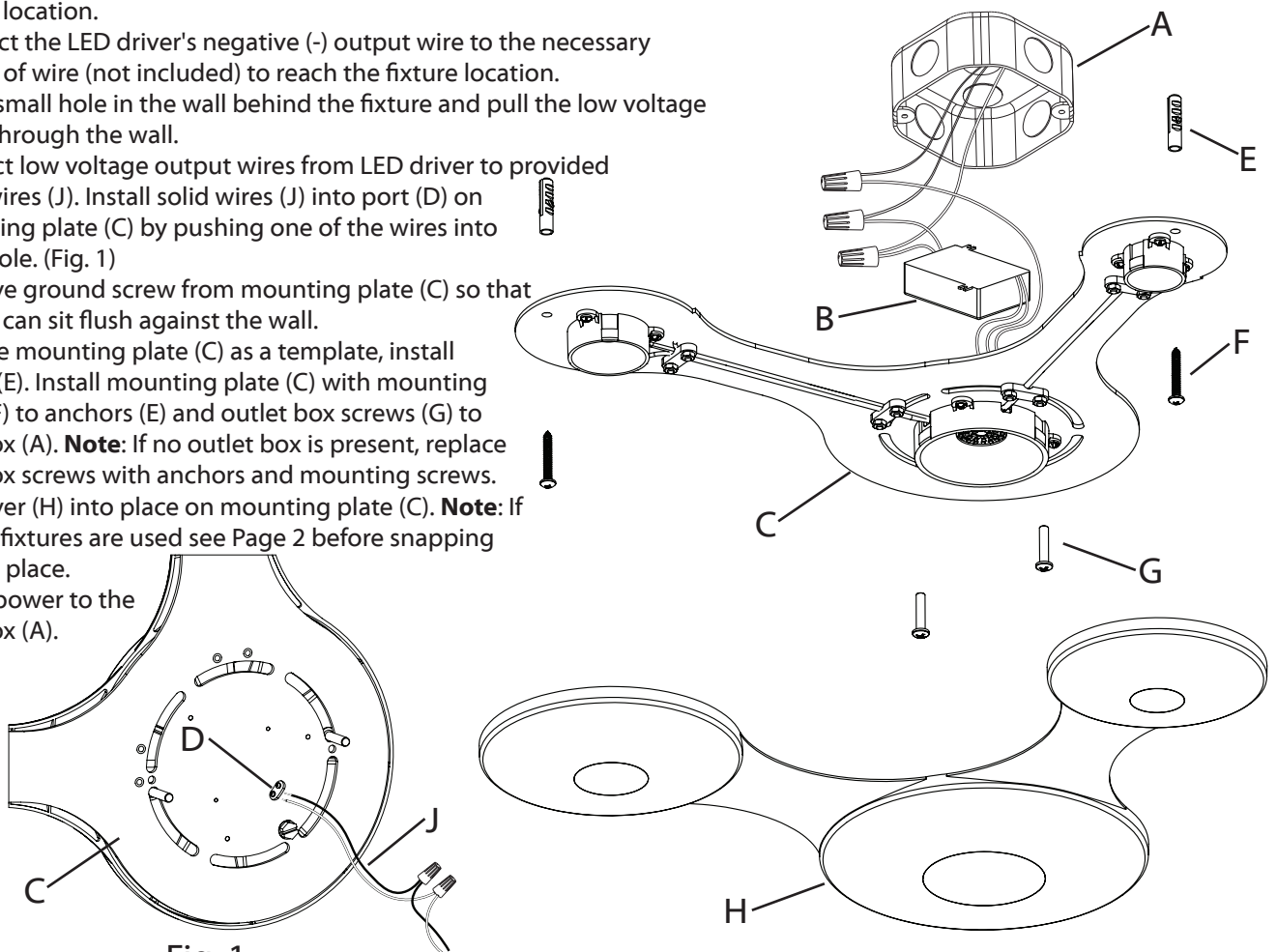


Fig. 1

#### Note

- These fixtures are dimmable with Electronic Low Voltage (Trailing-Edge), Incandescent (Leading-Edge), and 0-10V type dimmers.

#### Care Instructions

- **Dusting:** Use a clean, dry cloth.
- **Cleaning:** To protect the finish, avoid any harsh abrasives or chemicals.

# Assembly Instructions

## INSTRUCTIONS D'INSTALLATION

Coral Surface Series - Connectors

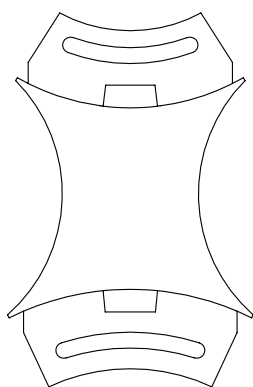
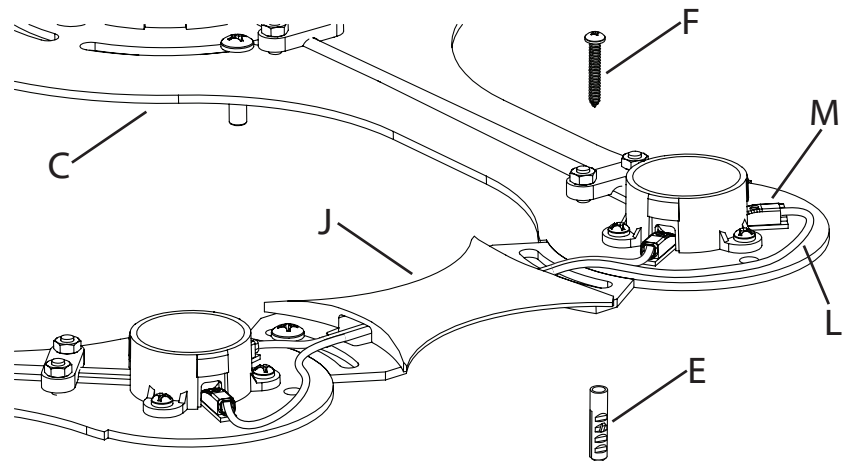
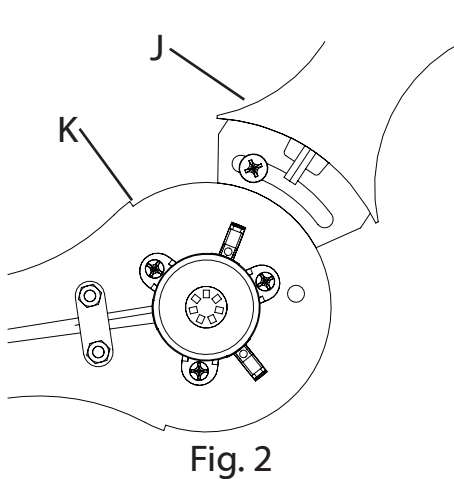
CON.2191.xx-SS  
CON.2191.xx-SM  
CON.2191.xx-MM

### Important

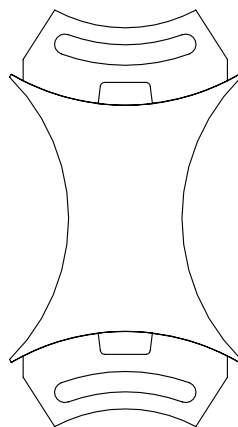
- Always disconnect the power before installing and before cleaning or other maintenance.
- Consult a qualified, licensed electrician to ensure correct branch circuit conductor.  
*Consulter un électricien qualifié pour vous assurer que les conducteurs de la dérivation sont adéquats.*

### Connector Types and Installation

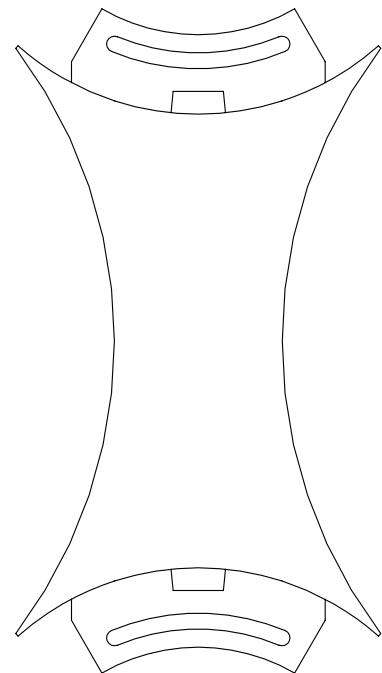
1. Using main fixture (C) as a template, line up corresponding connector (J) at desired angle. Note: Notches (K) on fixture limit position of connector (Fig2).
2. Once connector (J) is at appropriate angle, secure connector in place using anchors (E) and screws (F).
3. Install the second fixture using the connector as a template. Remove ground screw from mounting plate (C) so that fixture can sit flush against the wall.
4. Connect wires (L) between fixtures (C) by inserting them into ports (M) and running them through connectors.
5. Continue repeating installation process for fixture (C) and connectors (J) until desired pattern is complete. Note: Only use the connecting wires when installing multiple fixtures on the same power supply.



CON.2191.xx-SM



CON.2191.xx-SS



CON.2191.xx-MM