

# Copérnica

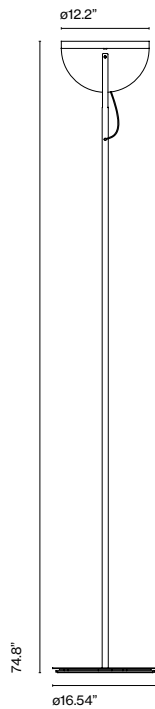
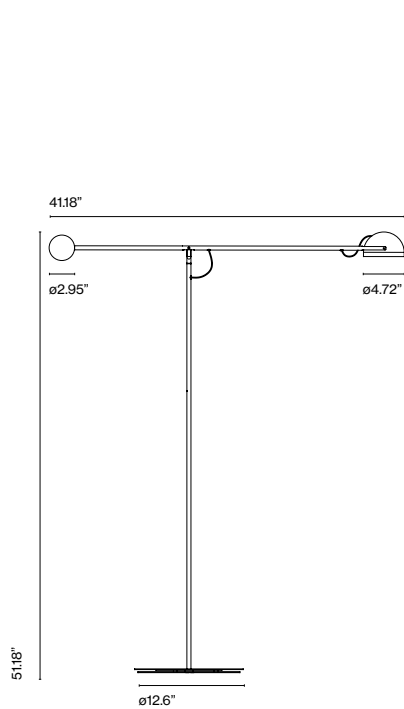
## Ramírez i Carrillo

marset



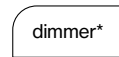
**Copérnica P**

**Copérnica P190**



**Copérnica P**  
 LED SMD 7W 500mA  
 2700K CRI90  
 Delivered Lumens 416.5lm  
 (included)  
 120 V / 60 Hz

**Copérnica P190**  
 LED SMD 45W 1A  
 2700K CRI90  
 Delivered Lumens 2302lm  
 (included)  
 120 V / 60 Hz - 45W



\* 3 positions dimmer

Dry locations only

**Watch the video**  
[info@marset.com](mailto:info@marset.com)

**Structure in satin nickel or graphite with the base and counterweight in lacquered steel. Tilttable difusser in aluminum with a built-in switch.**

**Copérnica P**

- Satin nickel - Golden - White
- Satin nickel - Graphite - White
- Satin nickel - Red - White
- Graphite - Golden - Black
- Graphite - Satin nickel - Black
- Graphite - Red - Black

**Copérnica P190**

- Satin nickel - White
- Graphite - Black

- [Download](#) Assembly instructions
- [Download](#) 2D
- [Download](#) 3D
- [Download](#) Photometric data

**WARNING.** California Proposition 65 Warning for California Consumers. This product can expose you to chemicals including wood dust and lead which are known to the State of California to cause cancer or birth defects or other reproductive harm. For more information go to [www.P65Warnings.ca.gov](http://www.P65Warnings.ca.gov)

The collection consists of desktop and standing versions that play with counterweights of mixed materials and density, such as steel and aluminum. This design allows one to move the lamp with great precision, providing a wide range of heights, distances, and adjustments to the beam of light to suite one's taste.