



The Standard - Large 1933™ Design Model: CL02



An icon in its own right! The Original 1933 Design shade perfectly meets today's lighting requirements, but now with the addition of the large statements model.

The large shade shares the same visual language and proportions of the Original. Intended as main room or statement lighting, the bulb sits higher into the top gallery to emit more ambient light into the room.



Table of contents

Dimensions	3
Colours	3
Weight	4
Handmade process Materials	4
Maintenance Care	4
Mounting Indications	5
Conformance Regulatory	5

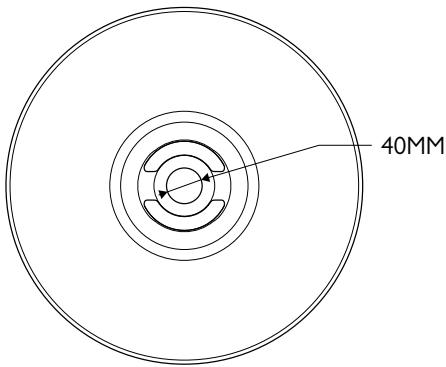
Important

- For indoor use only - IP depending on the electrical fittings
- Shade must be secured between lamp holder and shade ring(s)
- Not intended for use in Bathroom or installation in Wiring zones 0, 1 or 2
- All power to the circuit must be switched off at supply source before installation
- Installation to be carried out by a competent professional in accordance with current building regulations
- Electric cord and connection terminals must be relieved from strain with suitable cord grip and strain relief product
- Ensure luminaire electric cord is minimum 0.75mm²CSA and double insulated
- Always consider the total weight load when installing and suspending your Coolicon® shade
- Maintain safe distance between luminaire and surfaces

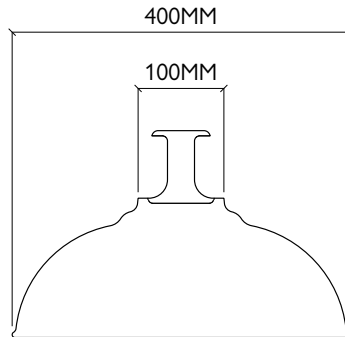


The Standard - Large 1933™ Design
Model: CL02

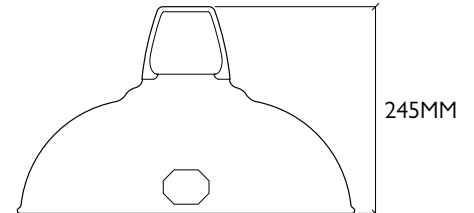
Dimensions



TOP

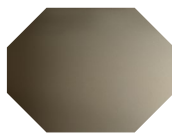


SIDE

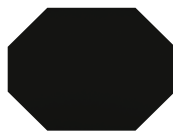


FRONT

Colours



ANTINIUM



JET
BLACK



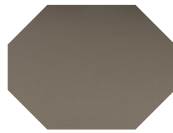
ROYAL
BLUE



CLASSIC
CREAM



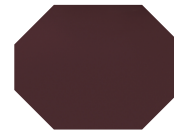
ORIGINAL
GREEN



ORIGINAL
GREY



LATTE
BROWN



METROPOLITAN



PEWTER



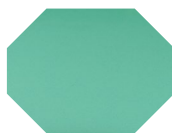
POWDER
PINK



SELVEDGE
BLUE



SKY
BLUE



FRESH
TEAL



TERRACOTTA



ORIGINAL
WHITE



DEEP
YELLOW



The Standard - Large 1933™ Design Model: CL02

Weight

Due to the handmade nature of the product, weight may vary.
Approximate weight: 1.5kg

Handmade Process | Materials

Handmade in England
Material: Steel - Finish: Vitreous Enamel, .
Indoor use only.

Steel: infinitely recyclable

Maintenance | Care

Do not use any abrasive cleaning products.
Vitreous Enamel is smooth and impervious which makes cleaning your lampshade easy.

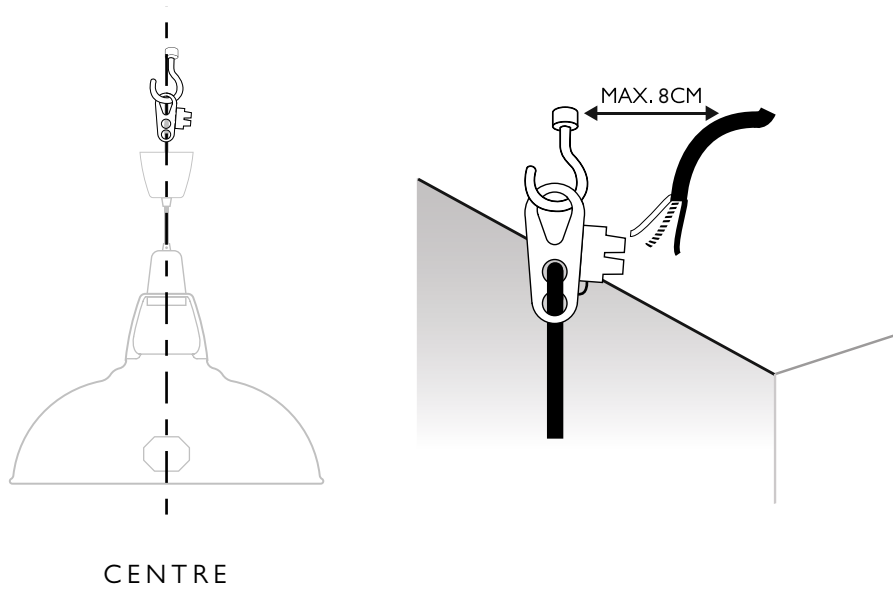
We recommend you dust your 1933™ Design lampshade with a dry, soft cloth. Stubborn, greasy marks can be removed gently with a soft cloth dampened in lukewarm water with a mild detergent.

Cleaning of the lampshade should only occur when the light is switched off with no power to the circuit. It is important that the electrical fitting is not exposed to any liquids.

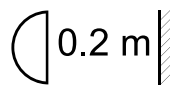
Mounting Indications

The example shows assembly instructions for
a Coolicon Porcelain Suspension Set - Model: SK01-E14-POR,
a Coolicon Industrial Suspension Set - Model: SK01-E14-IND
or a Coolicon Brass Suspension Set - Model: SK01-E14-BRS

For concrete and/or solid substrate ceilings; standard fittings can be used.
For suspended ceilings; seek specialist advice. Must be able to support a minimum additional weight load of 2.5kg.
For period properties and/or lath and plaster ceilings; seek specialist advice.



Conformance & Regulatory



RoHS
2011/65/EU