

# Contour Table Lamp

KT1221, KT1231 | 1.0

GENERATION LIGHTING

Portable

## GENERAL PRODUCT INFORMATION:

This product is safety listed for dry locations only.

This instruction shows a typical installation.

### IMPORTANT SAFETY INSTRUCTIONS

This portable lamp has a polarized plug (one blade is wider than the other) as a safety feature to reduce the risk of electric shock. This plug will fit in a polarized outlet only one way. If the plug does not fit fully in the outlet, reverse the plug. If it still does not fit contact a qualified electrician. Never use with an extension cord unless plug can be fully inserted. Do not attempt to defeat this safety feature.

GENERATION LIGHTING

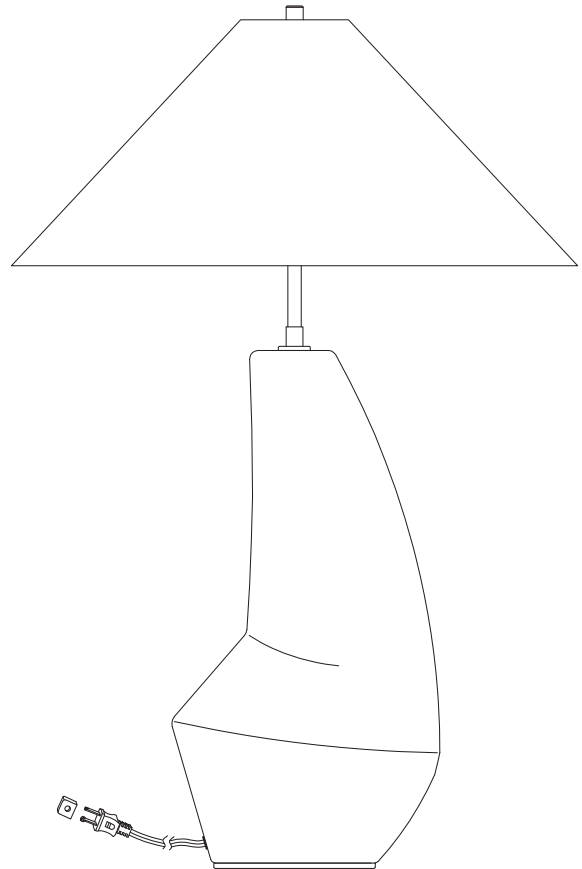
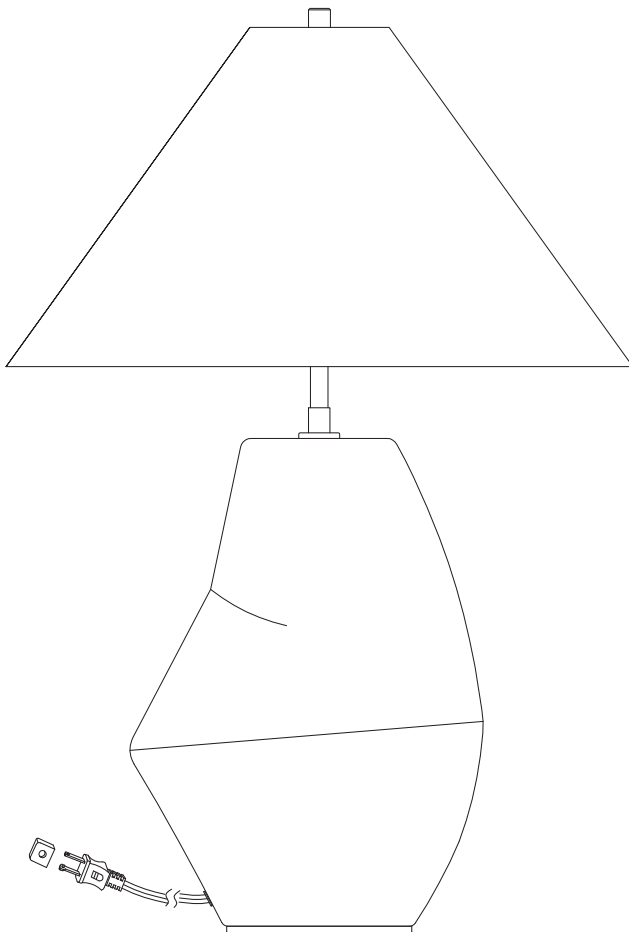
7400 Linder Ave, Skokie, IL 160077

800.969.3347

[www.generationlighting.com](http://www.generationlighting.com)

© 2019 Generation Lighting. All rights reserved.

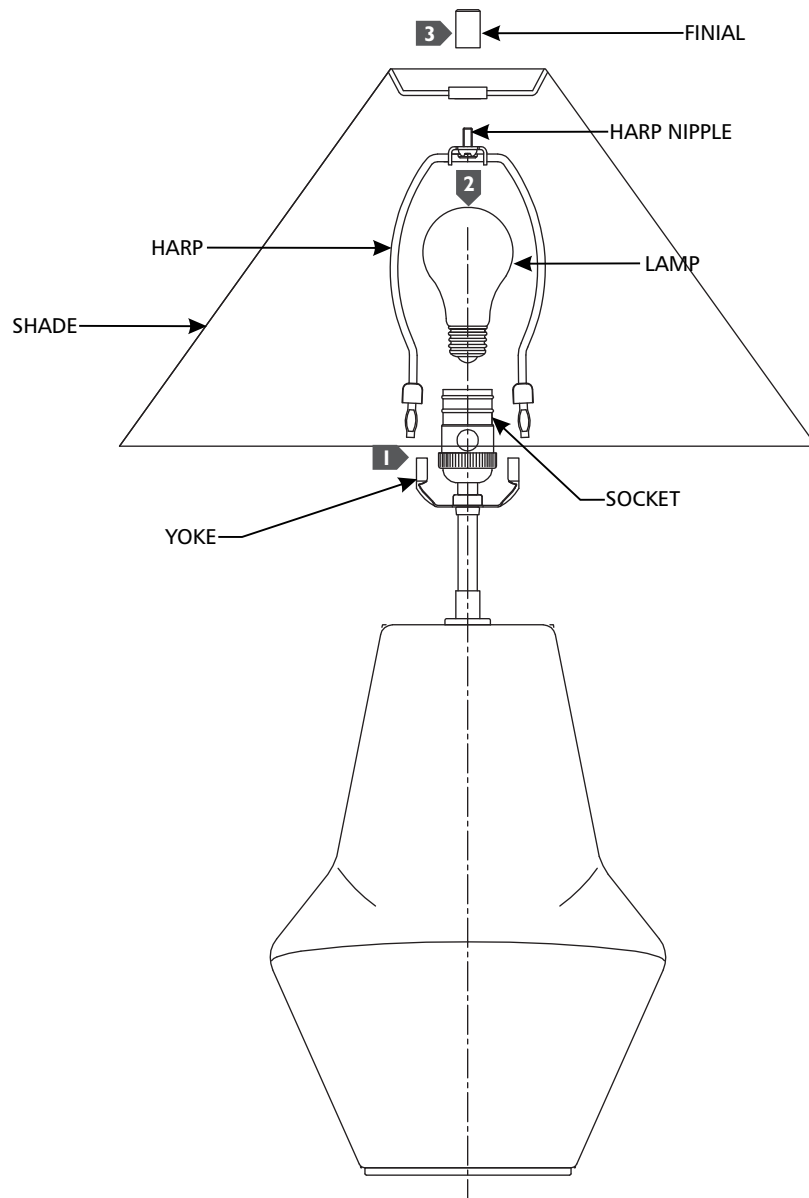
The "Generation Lighting" graphic is a registered trademark of Generation Lighting. Generation Lighting reserves the right to change specifications for product improvements without notification.



**SAVE THESE INSTRUCTIONS!**

## Install the Fixture

1A



- 1** Install the harp by inserting it in the yoke.
- 2** Screw the lamp into the socket. Refer to the label on the lamp socket for Max Wattage information.
- 3** Install the shade by placing the shade over the harp nipple and screwing the finial onto the nipple to secure it in place.