

Pablo®

CIRCA

ASSEMBLY & INSTALLATION INSTRUCTIONS

TABLE OF CONTENTS

| | |
|----------------|------------------|
| pg. 2-5..... | CIRCA TABLE |
| pg. 6-9..... | CIRCA FLOOR |
| pg. 10-13..... | CIRCA PEDESTAL |
| pg. 14-17..... | CIRCA WALL |
| pg. 18-21..... | CIRCA PENDANT |
| pg. 22-25..... | CIRCA CHANDELIER |
| pg. 26-32..... | CIRCA GROMMET |

Pablo®

CIRCA TABLE

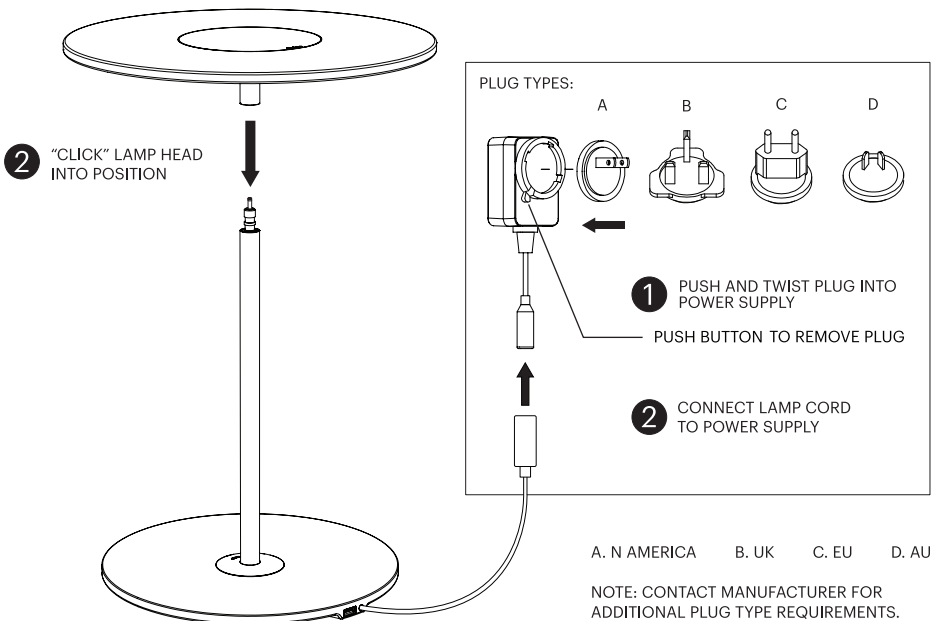
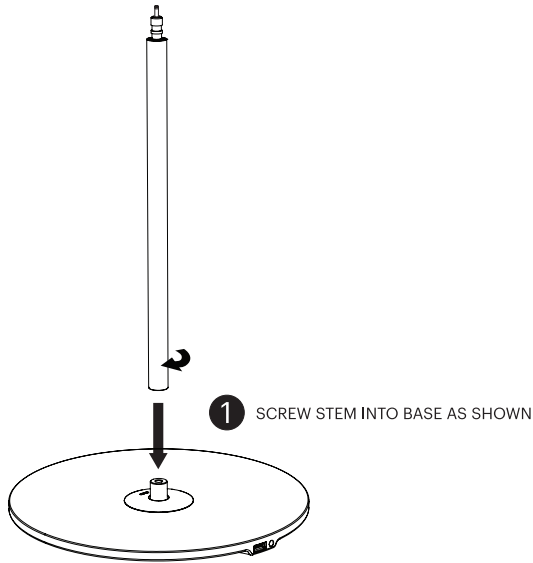
ASSEMBLY & INSTALLATION INSTRUCTIONS



Pablo®

CIRCA TABLE

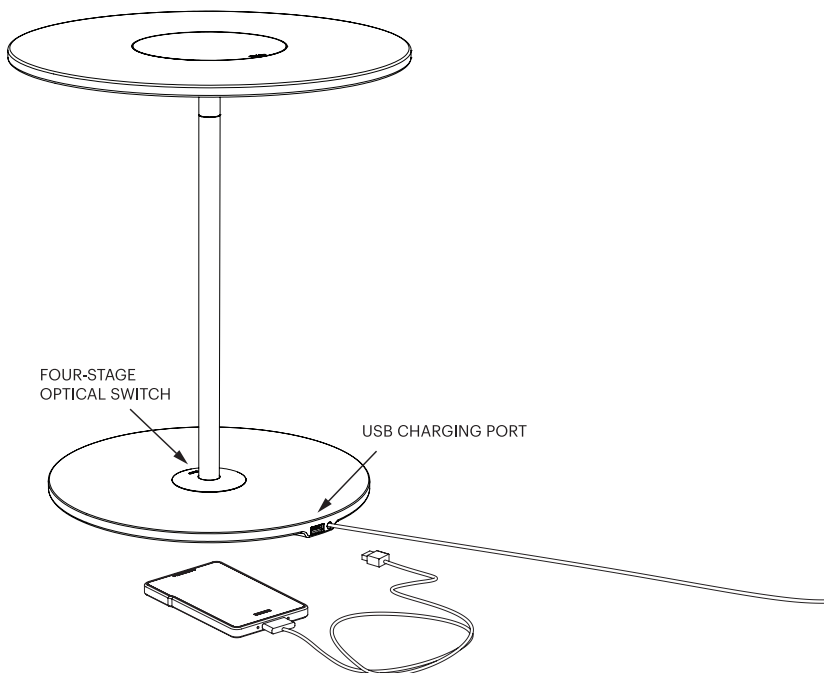
ASSEMBLY



Pablo®

CIRCA TABLE

CIRCA TABLE SWITCH AND USB CHARGING



HIGHLIGHTS

SINGLE 5.0V USB OUTPUT SUPPORTS CHARGING FOR SMARTPHONES, TABLETS AND OTHER MOBILE DEVICES.

SPECIFICATIONS

USB 2.0 OR 1.1 STANDARD CORD REQUIRED (CORD NOT INCLUDED)
OUTPUT VOLTAGE: 5VDC + - 5%
OUTPUT CURRENT: 1A MAX

NOTE

CIRCA TABLE WILL CONTINUE TO CHARGE YOUR MOBILE DEVICE EVEN WHEN LAMP IS IN THE "OFF" POSITION.

PLEASE REFER TO YOUR MOBILE DEVICE'S USER MANUAL FOR COMPATIBILITY AND CHARGING TIME. PLEASE REFRAIN FROM LEAVING YOUR DEVICE PLUGGED IN FOR LONGER THAN THE RECOMMENDED TIME, OTHERWISE IT MAY RESULT IN OVER CHARGING.

PRESS AND HOLD OPTICAL SWITCH FOR 1.5 SECONDS TO TURN OFF. TAP BRIEFLY TO CYCLE THROUGH FOUR STAGES.

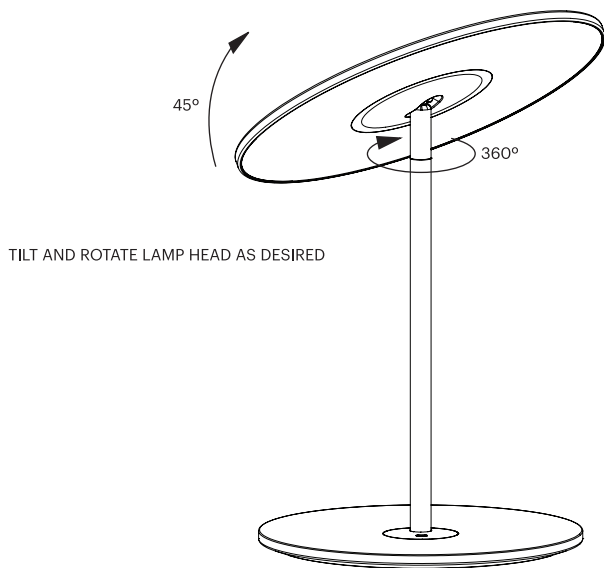
CARE INSTRUCTIONS

WIPE CLEAN WITH A SOFT DAMP CLOTH. AVOID AMMONIA-BASED CLEANERS.

Pablo®

CIRCA TABLE

ADJUSTMENT



INFO@PABLODESIGNS.COM
888 MARIN STREET
SAN FRANCISCO, CA
94124

PABLODESIGNS.COM

Pablo®

CIRCA FLOOR

ASSEMBLY & INSTALLATION INSTRUCTIONS

INFO@PABLODESIGNS.COM
888 MARIN STREET
SAN FRANCISCO, CA
94124

PABLODESIGNS.COM



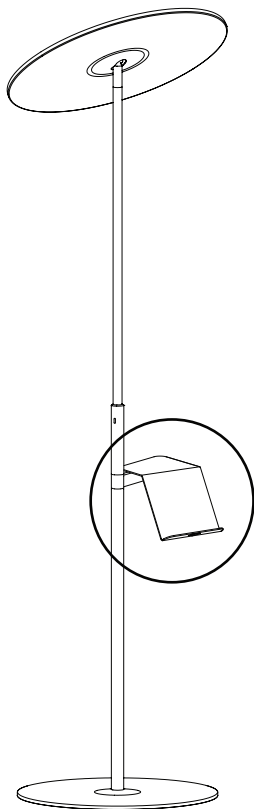
Pablo®

CIRCA FLOOR

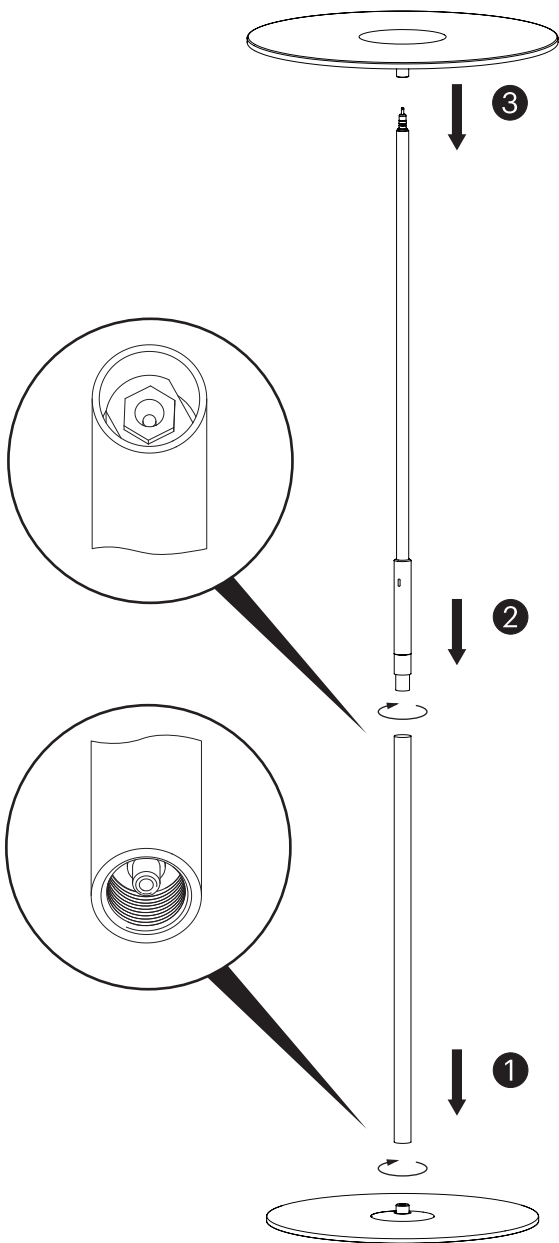
ASSEMBLY

1. SCREW LOWER STEM INTO BASE AS SHOWN
2. SCREW UPPER STEM INTO LOWER STEM AS SHOWN
3. "CLICK" LAMP HEAD INTO POSITION

OPTIONAL ACCESSORY



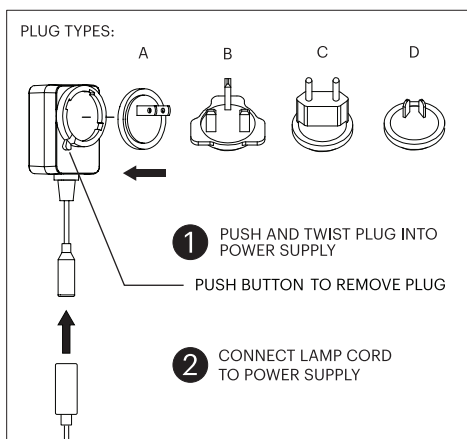
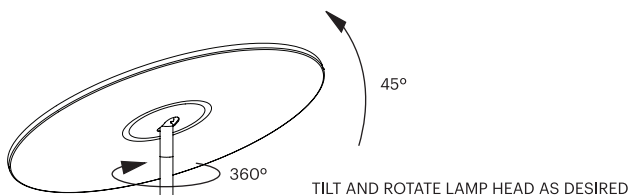
PEDESTAL FOR MOBILE DEVICES
SOLD SEPARATELY (SEE PEDESTAL
ASSEMBLY INSTRUCTIONS)



Pablo®

CIRCA FLOOR

ADJUSTMENT



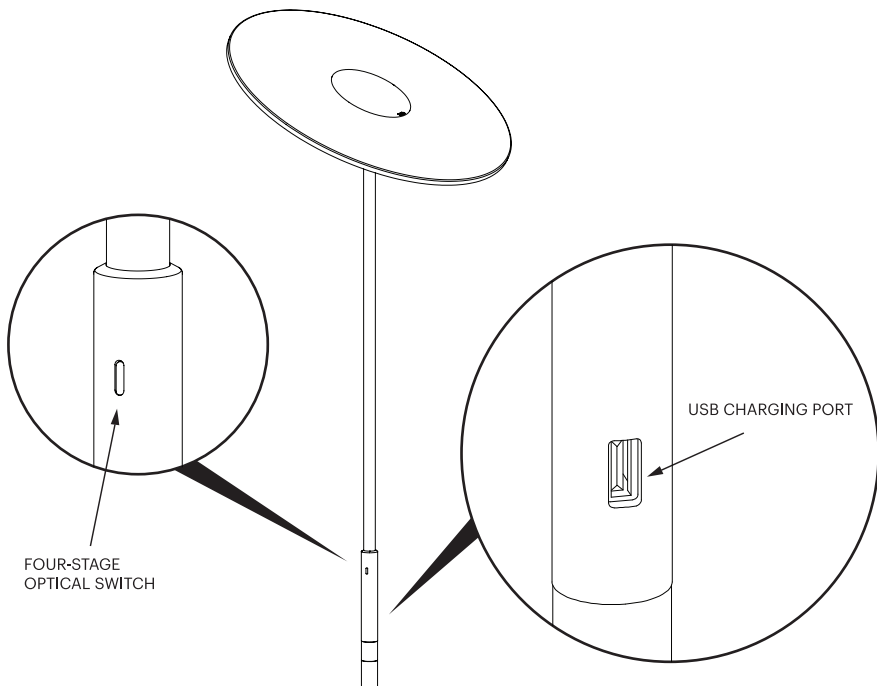
A. N AMERICA B. UK C. EU D. AU

NOTE: CONTACT MANUFACTURER FOR ADDITIONAL PLUG TYPE REQUIREMENTS.

Pablo®

CIRCA FLOOR

CIRCA FLOOR SWITCH AND USB CHARGING



HIGHLIGHTS

SINGLE 5.0V USB OUTPUT SUPPORTS CHARGING FOR SMARTPHONES, TABLETS AND OTHER MOBILE DEVICES.

SPECIFICATIONS

USB 2.0 OR 1.1 STANDARD CORD REQUIRED (CORD NOT INCLUDED)

OUTPUT VOLTAGE: 5VDC + - 5%

OUTPUT CURRENT: 1A MAX

NOTE

CIRCA FLOOR WILL CONTINUE TO CHARGE YOUR MOBILE DEVICE EVEN WHEN LAMP IS IN THE "OFF" POSITION.

PLEASE REFER TO YOUR MOBILE DEVICE'S USER MANUAL FOR COMPATIBILITY AND CHARGING TIME. PLEASE REFRAIN FROM LEAVING YOUR DEVICE PLUGGED IN FOR LONGER THAN THE RECOMMENDED TIME, OTHERWISE IT MAY RESULT IN OVER CHARGING.

PRESS AND HOLD OPTICAL SWITCH FOR 1.5 SECONDS TO TURN OFF. TAP BRIEFLY TO CYCLE THROUGH FOUR STAGES.

ACCESSORIES

OPTIONAL PEDESTAL FOR MOBILE DEVICES

CARE INSTRUCTIONS

WIPE CLEAN WITH A SOFT DAMP CLOTH. AVOID AMMONIA-BASED CLEANERS.

Pablo®

CIRCA PEDESTAL

ASSEMBLY & INSTALLATION INSTRUCTIONS

INFO@PABLODESIGNS.COM
888 MARIN STREET
SAN FRANCISCO, CA
94124

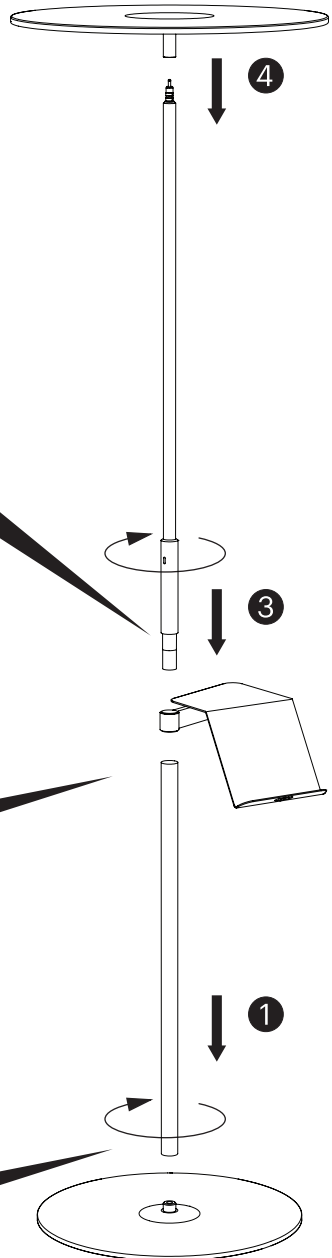
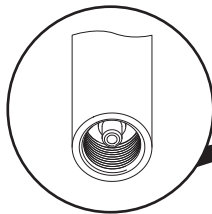
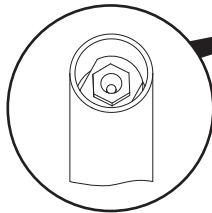
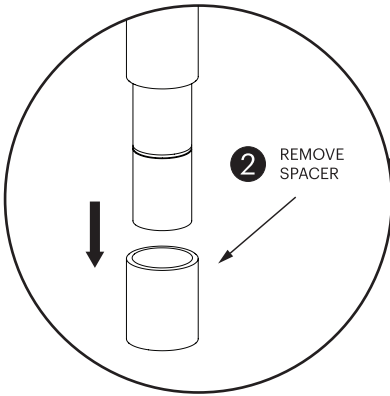
PABLODESIGNS.COM



CIRCA PEDESTAL

ASSEMBLY

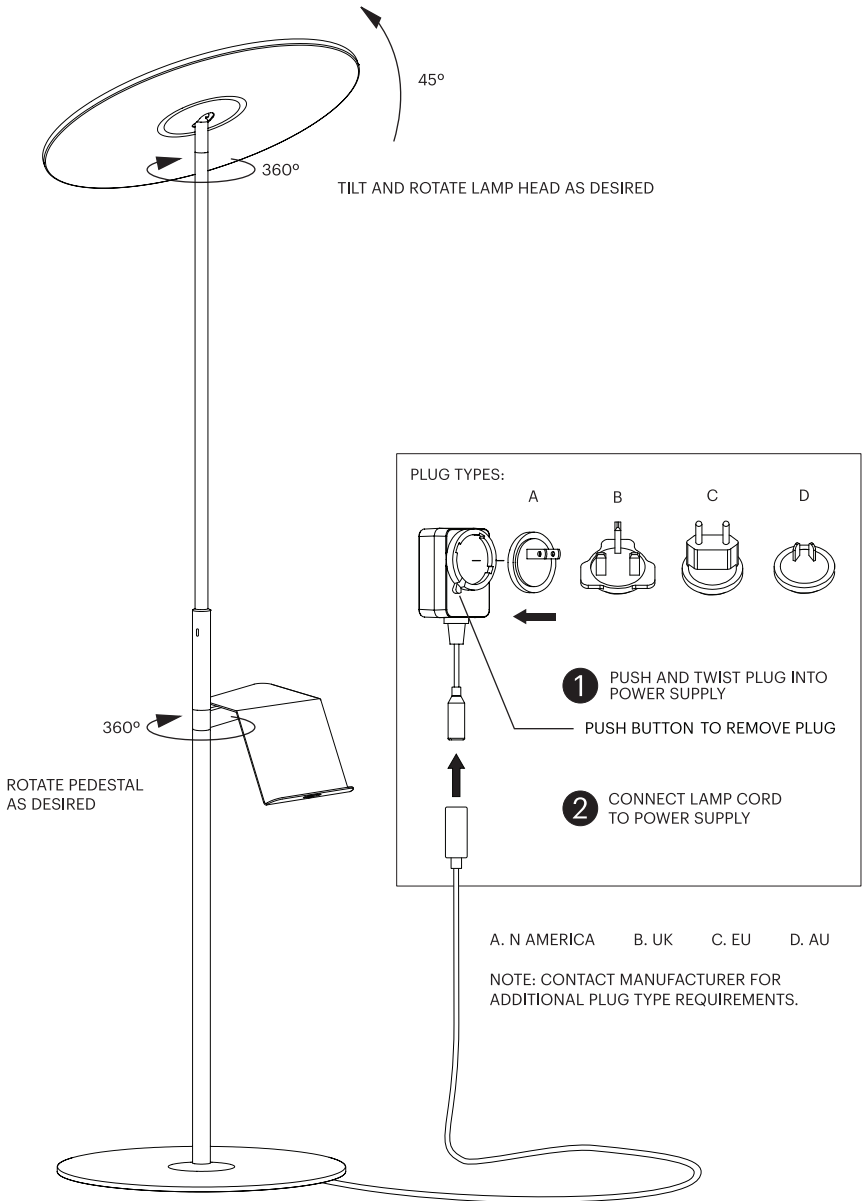
1. SCREW LOWER STEM INTO BASE AS SHOWN
2. REMOVE SPACER FROM UPPER STEM (PEDESTAL REPLACES SPACER)
3. POSITION PEDESTAL BETWEEN UPPER AND LOWER STEM, THEN SCREW TO TIGHTEN
4. "CLICK" LAMP HEAD INTO POSITION



Pablo®

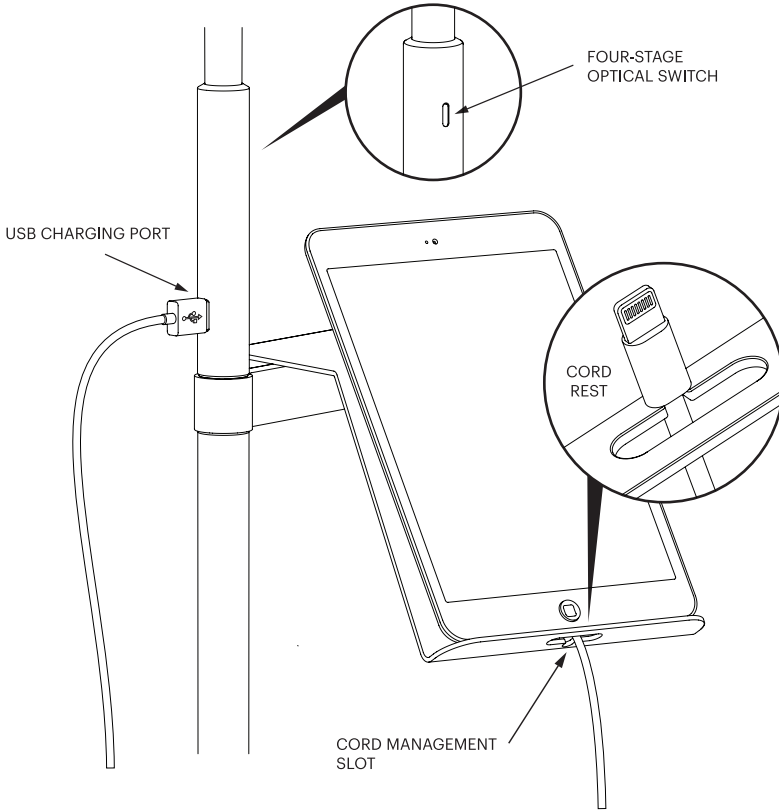
CIRCA PEDESTAL

ADJUSTMENT



CIRCA PEDESTAL

CIRCA FLOOR SWITCH AND USB CHARGING



HIGHLIGHTS

SINGLE 5.0V USB OUTPUT SUPPORTS CHARGING FOR SMARTPHONES, TABLETS AND OTHER MOBILE DEVICES.

SPECIFICATIONS

USB 2.0 OR 1.1 STANDARD CORD REQUIRED (CORD NOT INCLUDED)
OUTPUT VOLTAGE: 5VDC + - 5%
OUTPUT CURRENT: 1A MAX

NOTE

CIRCA PEDESTAL WILL CONTINUE TO CHARGE YOUR MOBILE DEVICE EVEN WHEN LAMP IS IN THE "OFF" POSITION.

PLEASE REFER TO YOUR MOBILE DEVICE'S USER MANUAL FOR COMPATIBILITY AND CHARGING TIME. PLEASE REFRAIN FROM LEAVING YOUR DEVICE PLUGGED IN FOR LONGER THAN THE RECOMMENDED TIME, OTHERWISE IT MAY RESULT IN OVER CHARGING.

PRESS AND HOLD OPTICAL SWITCH FOR 1.5 SECONDS TO TURN OFF. TAP BRIEFLY TO CYCLE THROUGH FOUR STAGES.

CARE INSTRUCTIONS

WIPE CLEAN WITH A SOFT DAMP CLOTH. AVOID AMMONIA-BASED CLEANERS.

Pablo®

CIRCA WALL

ASSEMBLY & INSTALLATION INSTRUCTIONS

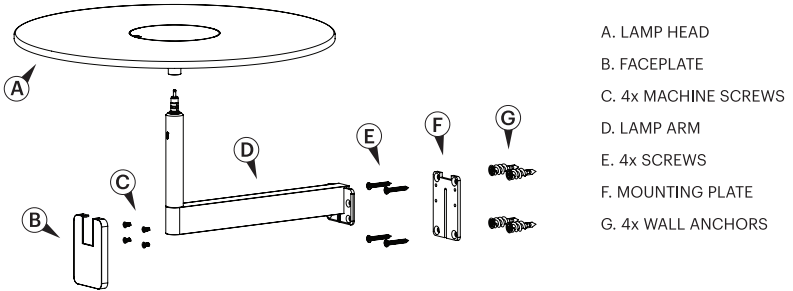
INFO@PABLODESIGNS.COM
888 MARIN STREET
SAN FRANCISCO, CA
94124

PABLODESIGNS.COM



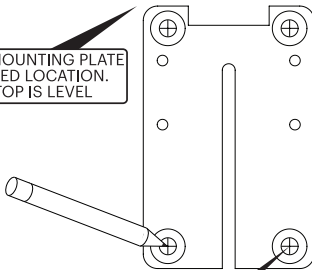
CIRCA WALL

PARTS LIST



- 1** USE THE MOUNTING PLATE AS A TEMPLATE FOR MARKING THE LOCATION OF THE WALL ANCHORS

PLACE THE MOUNTING PLATE IN THE DESIRED LOCATION. MAKE SURE TOP IS LEVEL



MARK THE CENTER OF ALL FOUR HOLES AS SHOWN

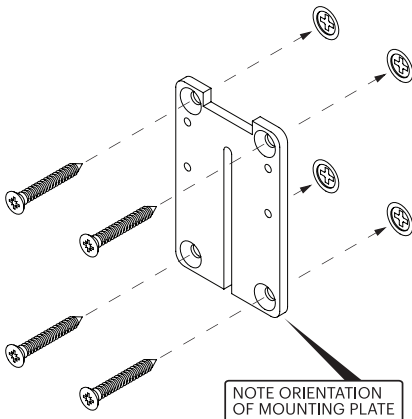
- 2** REMOVE THE PLATE FROM THE WALL AND INSTALL ALL FOUR WALL ANCHORS

TAP THE UNTHREADED TIP OF THE ANCHOR INTO THE WALL

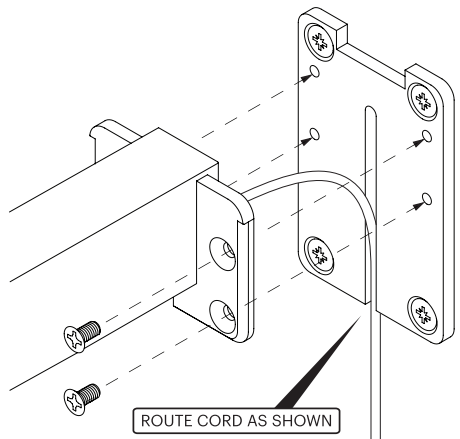
USE A PHILLIPS SCREWDRIVER TO COMPLETE THE ANCHOR INSTALLATION

THIS SURFACE SHOULD BE FLUSH WITH THE WALL

- 3** SCREW THE MOUNTING PLATE TO THE ANCHORS WITH THE SCREWS PROVIDED

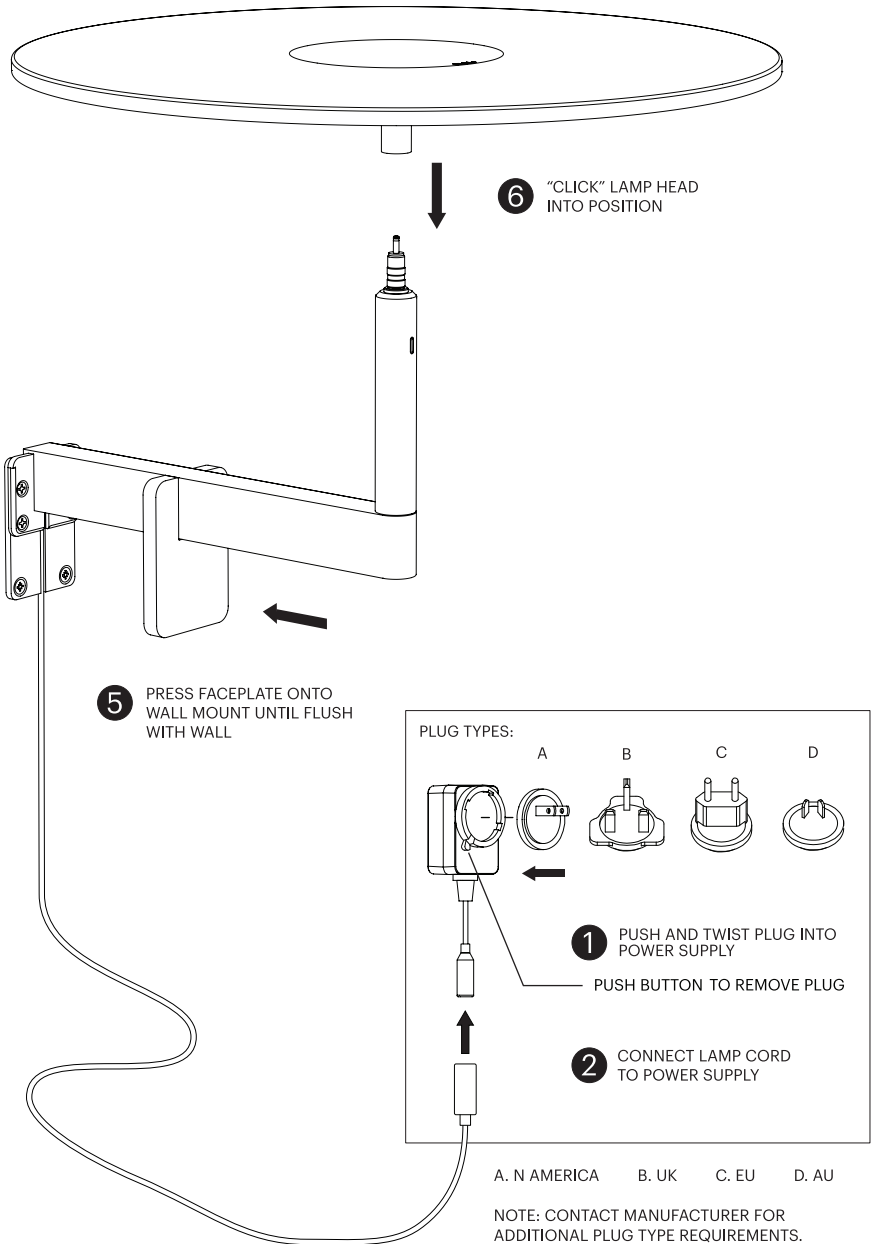


- 4** SCREW LAMP ARM TO THE MOUNTING PLACE WITH THE FOUR MACHINE SCREWS PROVIDED



CIRCA WALL

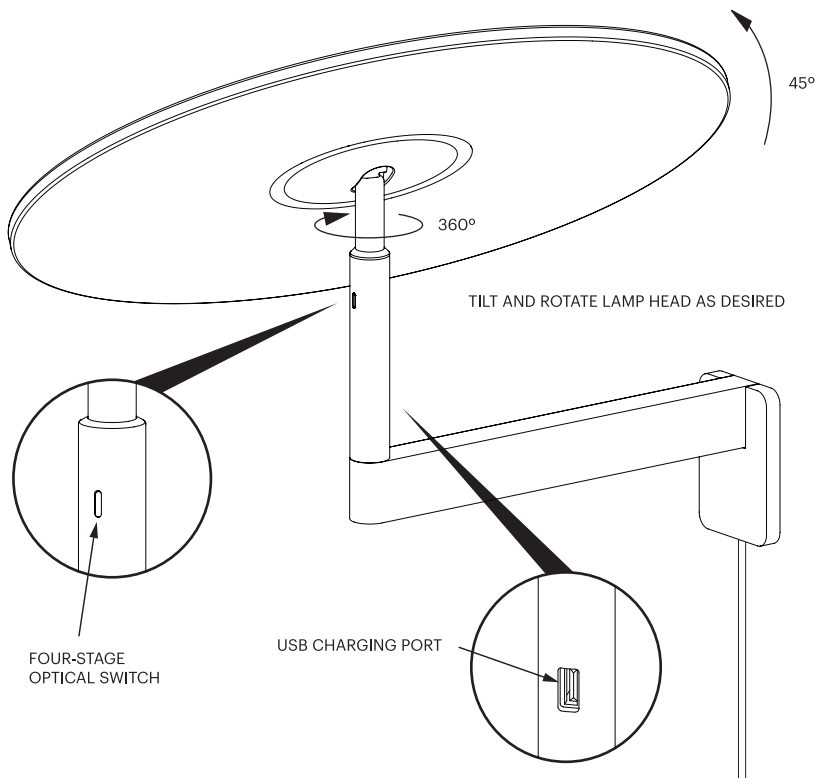
ASSEMBLY



Pablo®

CIRCA WALL

CIRCA WALL SWITCH AND USB CHARGING



HIGHLIGHTS

SINGLE 5.0V USB OUTPUT SUPPORTS CHARGING FOR SMARTPHONES, TABLETS AND OTHER MOBILE DEVICES.

SPECIFICATIONS

USB 2.0 OR 1.1 STANDARD CORD REQUIRED (CORD NOT INCLUDED)
OUTPUT VOLTAGE: 5VDC + - 5%
OUTPUT CURRENT: 1A MAX

NOTE

CIRCA WALL WILL CONTINUE TO CHARGE YOUR MOBILE DEVICE EVEN WHEN LAMP IS IN THE "OFF" POSITION.

PLEASE REFER TO YOUR MOBILE DEVICE'S USER MANUAL FOR COMPATIBILITY AND CHARGING TIME. PLEASE REFRAIN FROM LEAVING YOUR DEVICE PLUGGED IN FOR LONGER THAN THE RECOMMENDED TIME, OTHERWISE IT MAY RESULT IN OVER CHARGING.

PRESS AND HOLD OPTICAL SWITCH FOR 1.5 SECONDS TO TURN OFF. TAP BRIEFLY TO CYCLE THROUGH FOUR STAGES.

CARE INSTRUCTIONS

WIPE CLEAN WITH A SOFT DAMP CLOTH. AVOID AMMONIA-BASED CLEANERS.

Pablo®

CIRCA PENDANT

120V / 220V ASSEMBLY & INSTALLATION INSTRUCTIONS

INFO@PABLODESIGNS.COM
888 MARIN STREET
SAN FRANCISCO, CA
94124

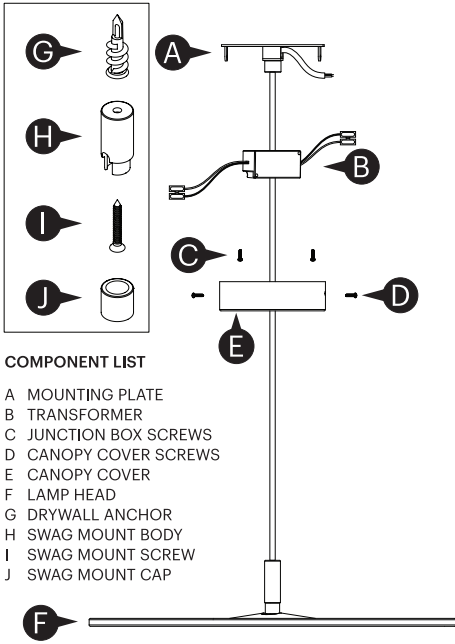
PABLODESIGNS.COM



CIRCA PENDANT

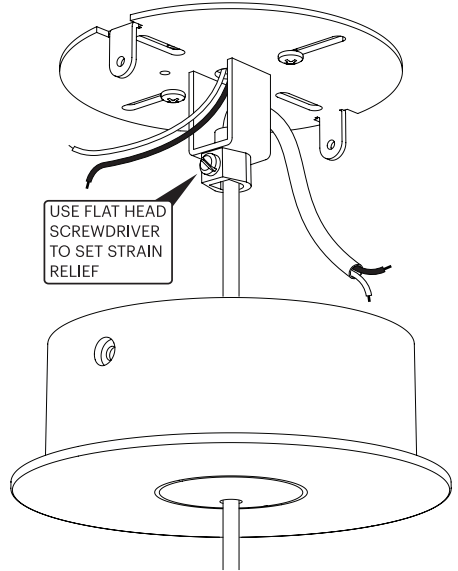
IMPORTANT: WE RECOMMEND FIXTURE BE INSTALLED BY AN ELECTRICIAN

WARNING: FIXTURE MUST BE WIRED CORRECTLY OR RISK DAMAGE TO COMPONENTS



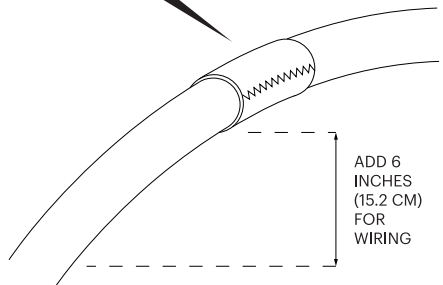
NOTE: IF JUNCTION BOX IS NOT LOCATED IN THE DESIRED POSITION FOR CIRCA PENDANT, SEE BACK PAGE FOR SWAG MOUNT INSTALLATION

2 ROUTE FIXTURE AND BUILDING CORDS AS SHOWN, THEN PULL CIRCA PENDANT TO DESIRED HEIGHT AND SET STRAIN RELIEF

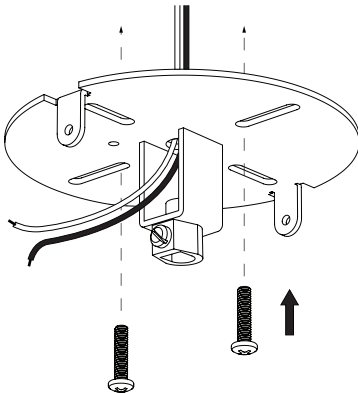


3 CUT FIXTURE CORD TO DESIRED LENGTH, ADDING AN ADDITIONAL 3 INCHES (7.6 CM) FOR WIRING

BEFORE CUTTING, WRAP CORD WITH ELECTRICAL TAPE TO PREVENT THE FABRIC SLEEVE FROM FRAYING



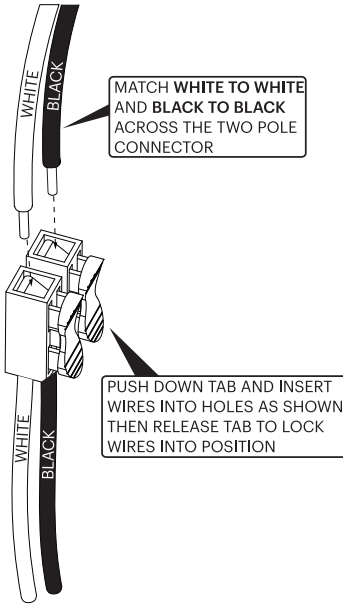
1 ROUTE BUILDING WIRING THROUGH MOUNTING PLATE, THEN ATTACH PLATE TO JUNCTION BOX



CIRCA PENDANT

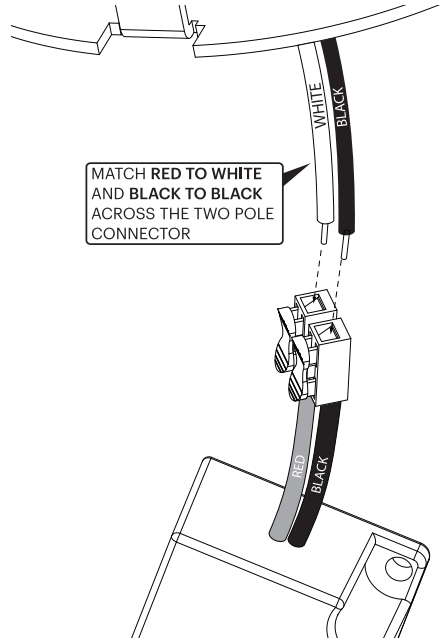
4 BUILDING WIRING

CONNECT BUILDING WIRING TO 2 POLE CONNECTOR ON AC INPUT SIDE OF TRANSFORMER



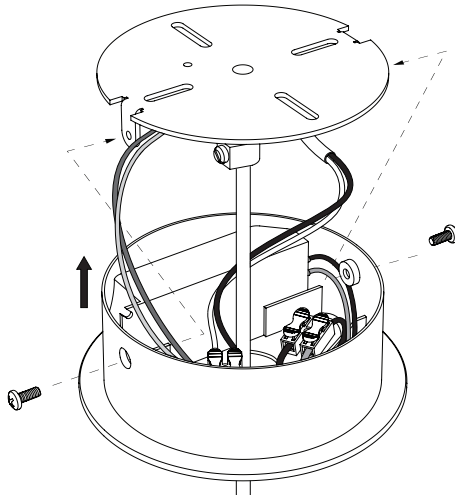
5 FIXTURE WIRING

CONNECT FIXTURE WIRING TO 2 POLE CONNECTOR ON DC OUTPUT SIDE OF TRANSFORMER



6 TUCK WIRES AND POLE CONNECTIONS INTO CANOPY COVER, THEN SLIDE COVER PLATE UP TO CEILING AND SECURE WITH SUPPLIED SCREWS

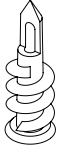
TUCK WIRES AND POLE CONNECTIONS INTO CANOPY COVER, THEN SLIDE COVER PLATE UP TO CEILING AND SECURE WITH SUPPLIED SCREWS



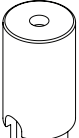
CIRCA PENDANT

SWAG MOUNT INSTALLATION

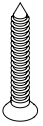
IF JUNCTION BOX IS NOT LOCATED IN DESIRED POSITION OF LIGHT, FOLLOW THESE ADDITIONAL STEPS:



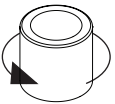
- 1 POSITION ANCHOR OVER DESIRED PENDANT LOCATION ON CEILING. TAP ANCHOR INTO THE CEILING, THEN USE A PHILLIPS SCREWDRIVER TO COMPLETE INSTALLATION



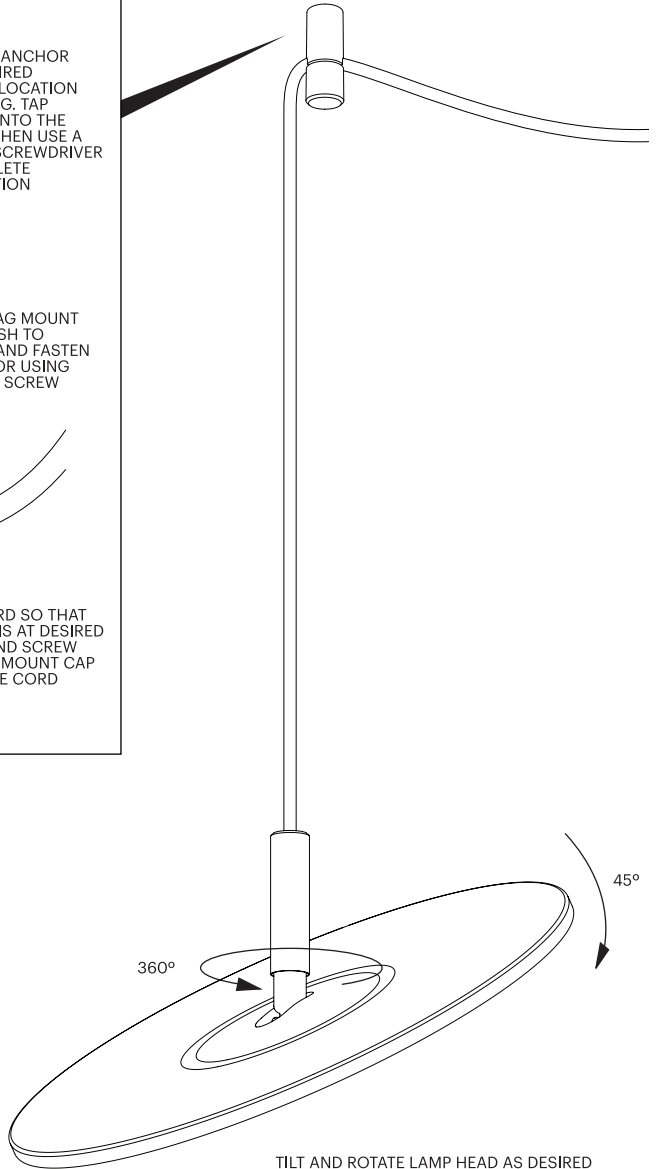
- 2 HOLD SWAG MOUNT BODY FLUSH TO ANCHOR AND FASTEN TO ANCHOR USING PROVIDED SCREW



- 3 HOLD CORD SO THAT PENDANT IS AT DESIRED HEIGHT AND SCREW ON SWAG MOUNT CAP TO SECURE CORD



ADJUSTMENT



BULB TYPE
LED FLAT PANEL

BULB REPLACEMENT
CONTACT MANUFACTURER FOR BULB REPLACEMENT

CORD LENGTH
10FT (305CM)

ELECTRONIC
LOW VOLTAGE DIMMER
RECOMMENDED

CARE INSTRUCTIONS
WIPE CLEAN WITH A SOFT DAMP CLOTH. AVOID AMMONIA-BASED CLEANERS.

TILT AND ROTATE LAMP HEAD AS DESIRED

Pablo®

CIRCA CHANDELIER

120V ASSEMBLY & INSTALLATION INSTRUCTIONS

INFO@PABLODESIGNS.COM
888 MARIN STREET
SAN FRANCISCO, CA
94124

PABLODESIGNS.COM

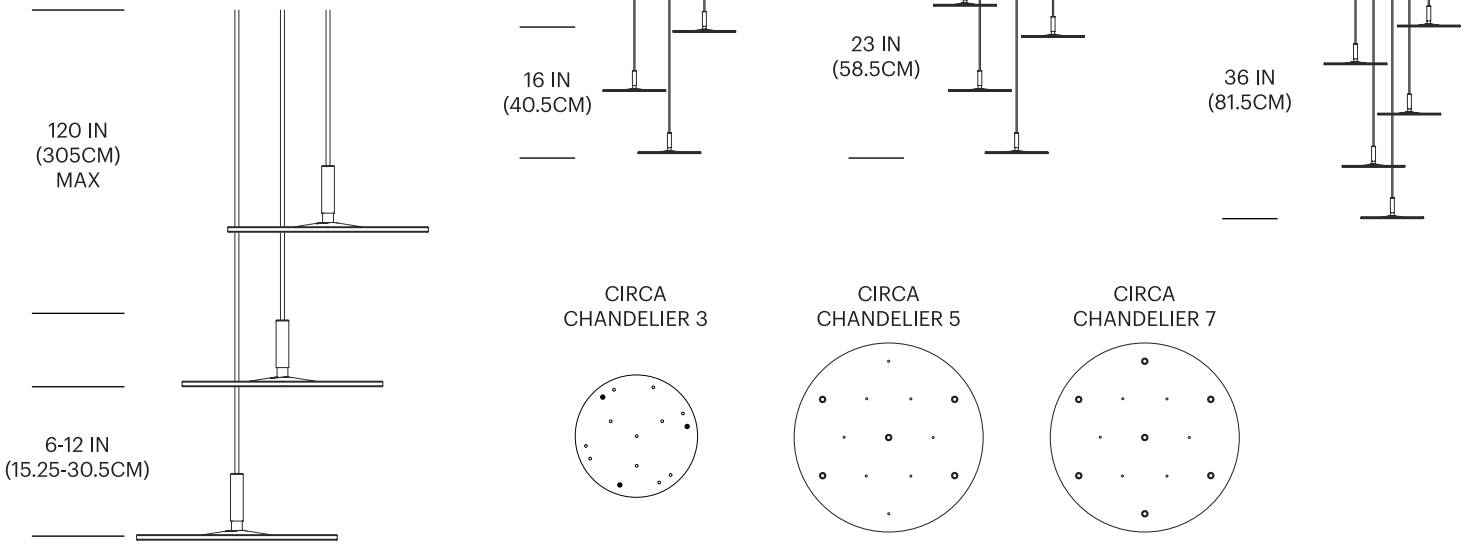


CIRCA CHANDELIER

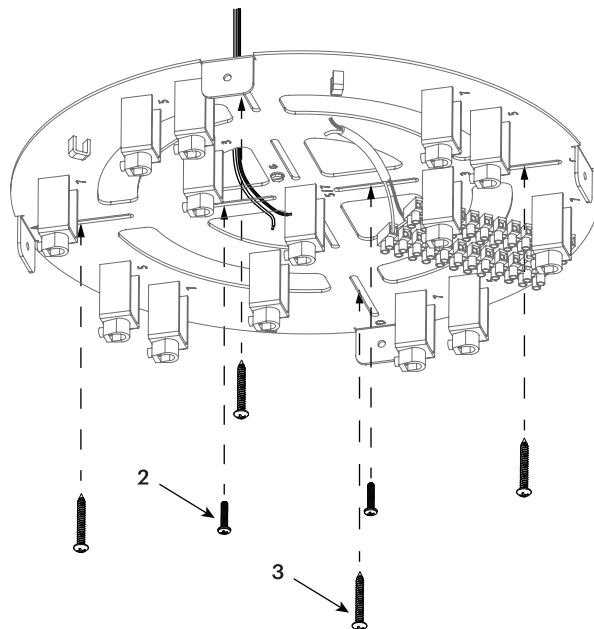
IMPORTANT: WE RECOMMEND FIXTURE BE INSTALLED BY AN ELECTRICIAN. CIRCA CHANDELIER MUST BE SECURELY ANCHORED TO 150LBS RATED JUNCTION BOX OR MOUNTED TO CEILING STUDS.

SUGGESTED HANGING CONFIGURATIONS

1. DETERMINE APPROPRIATE HEIGHT ABOVE SURFACE FOR LOWEST LAMP
2. SPACE EACH LAMP 12 INCHES (30.5CM) ABOVE THE PREVIOUS LAMP
3. MOVE UPWARDS IN A SPIRAL PATTERN



1 ROUTE BUILDING WIRING THROUGH MOUNTING PLATE



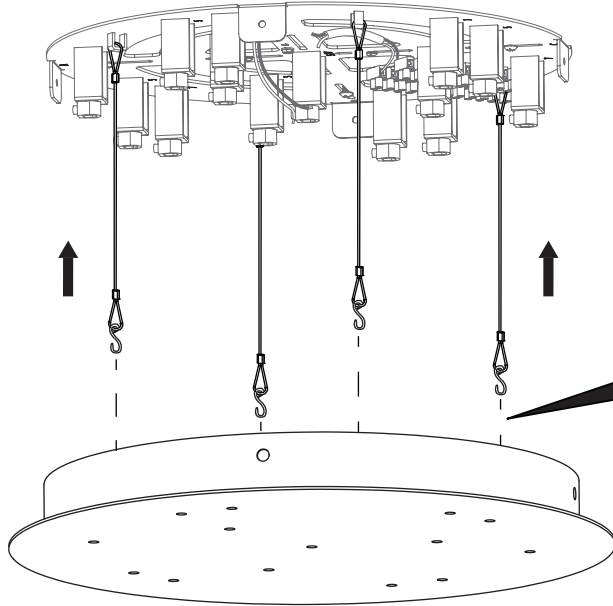
2 ATTACH PLATE TO JUNCTION BOX WITH PROVIDED JUNCTION BOX MACHINE SCREWS

3 ANCHOR PLATE INTO CEILING STUDS WITH PROVIDED WOOD SCREWS IF POSSIBLE. IF NOT, USE PROVIDED CEILING ANCHORS AND WOOD SCREWS TO SECURE PLATE TO CEILING

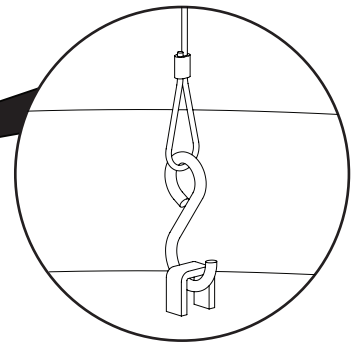
NOTE: INSTALLATION REQUIRES STANDARD PHILLIPS HEAD SCREW DRIVER AND #2 FLAT HEAD SCREW DRIVER

CIRCA CHANDELIER

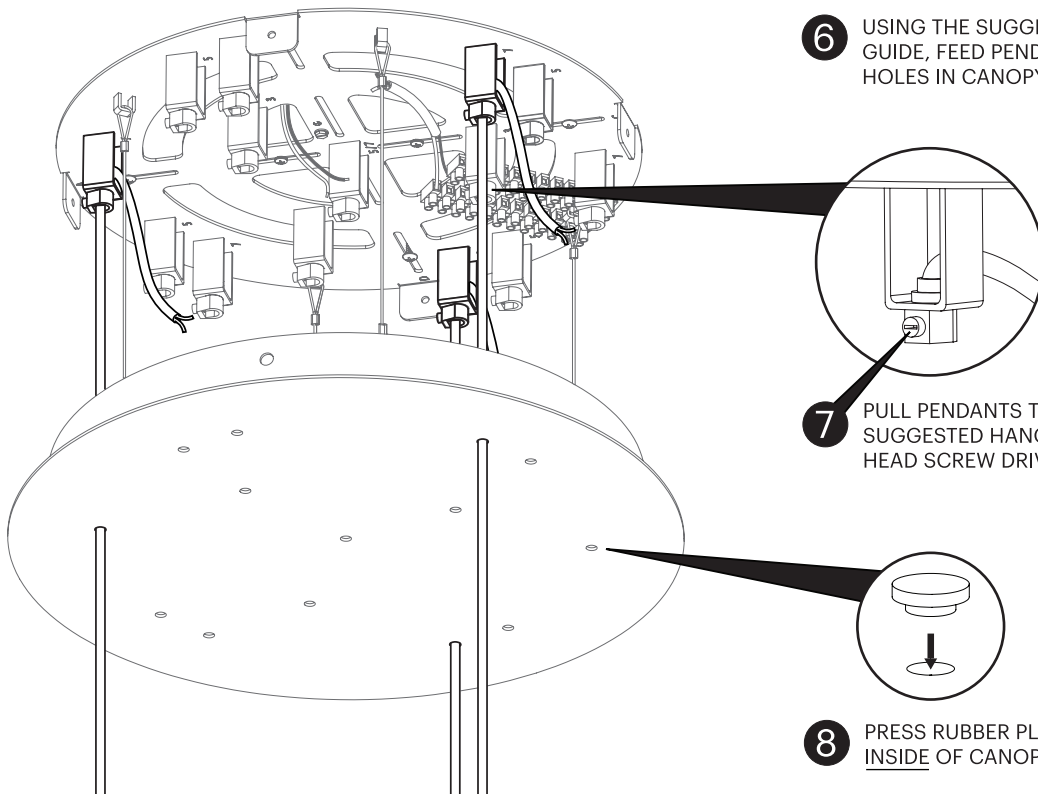
- 4** ALIGN HOLES ON MOUNTING PLATE WITH CORRESPONDING HOLES ON CANOPY COVER



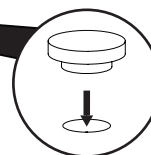
- 5** ATTACH CABLE HOOKS TO CABLE MOUNTS ON CANOPY COVER TO SUPPORT CANOPY COVER DURING INSTALLATION. CABLE HOOKS MUST REMAIN ATTACHED TO CANOPY COVER TO ENSURE SAFE INSTALLATION



- 6** USING THE SUGGESTED HANGING CONFIGURATION AS A GUIDE, FEED PENDANT CORDS THROUGH ASSIGNED HOLES IN CANOPY COVER AND STRAIN RELIEFS



- 7** PULL PENDANTS TO DESIRED HEIGHT REFERENCING SUGGESTED HANGING CONFIGURATIONS. USE #2 FLAT HEAD SCREW DRIVER TO SET STRAIN RELIEFS



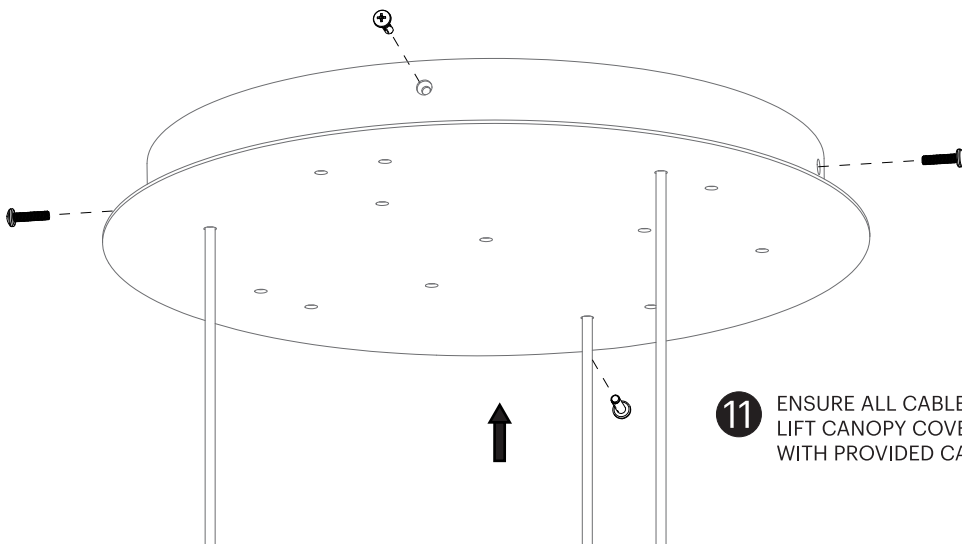
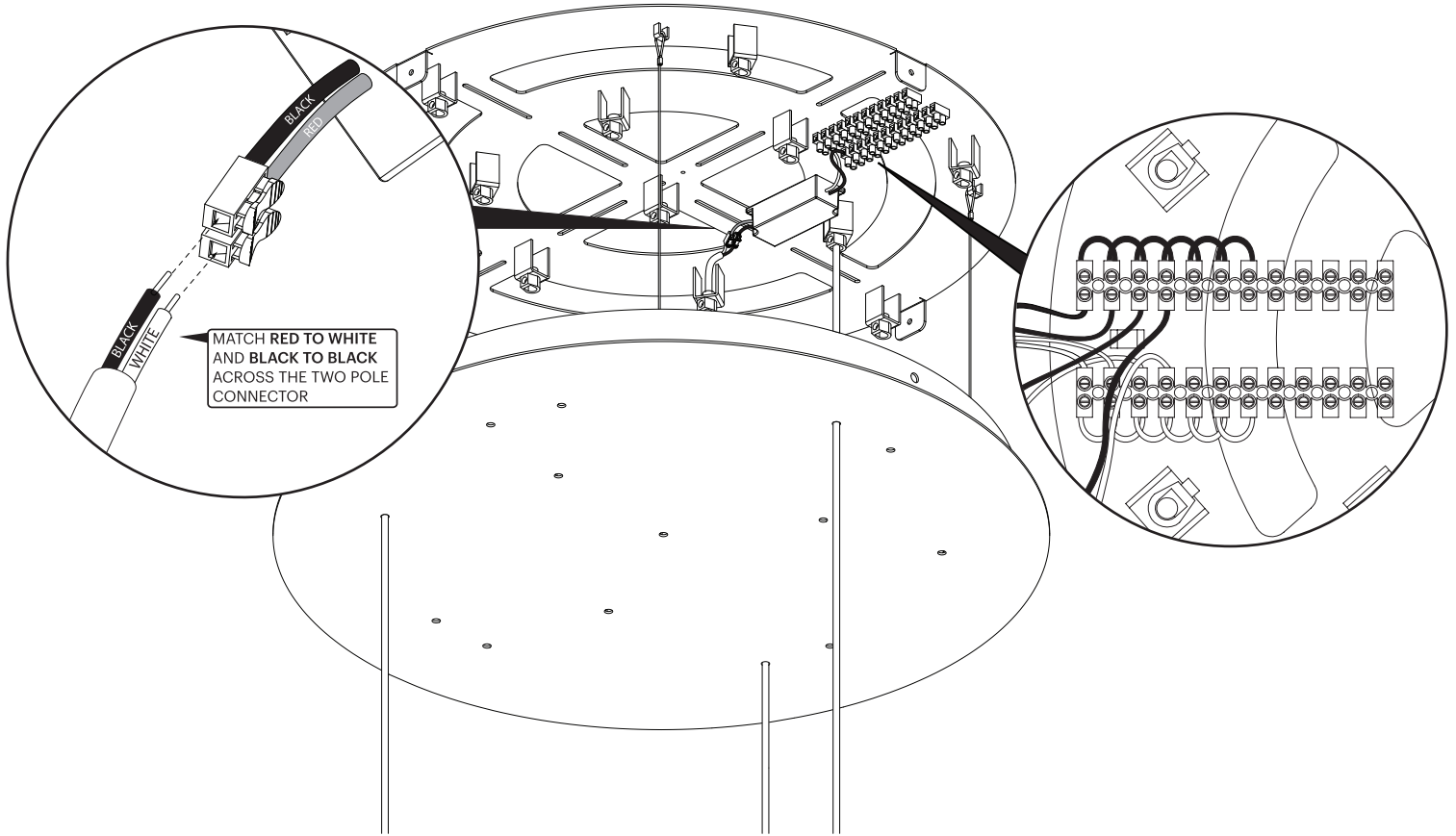
- 8** PRESS RUBBER PLUGS INTO UNUSED HOLES FROM INSIDE OF CANOPY COVER

NOTE: INSTALLATION SHOWN IS FOR CIRCA CHANDELIER 3. FOR CIRCA CHANDELIER 5 AND 7, FOLLOW THE SAME WIRING PROCESS USING THE HOLE PLACEMENT OUTLINED IN SUGGESTED HANGING CONFIGURATIONS

CIRCA CHANDELIER

- 9** **FIXTURE WIRING**
CONNECT FIXTURE WIRING TO 2 POLE CONNECTOR
ON DC OUTPUT SIDE OF TRANSFORMER AS SHOWN

- 10** **BUILDING WIRING**
CONNECT AC INPUT SIDE OF TRANSFORMER TO
TERMINAL BLOCKS AS SHOWN AND SECURE
WITH A #2 FLAT HEAD SCREWDRIVER



- 11** ENSURE ALL CABLES AND CORDS ARE TUCKED WITHIN CANOPY COVER.
LIFT CANOPY COVER UP TO CEILING AND SECURE TO MOUNTING PLATE
WITH PROVIDED CANOPY COVER MACHINE SCREWS

Pablo®

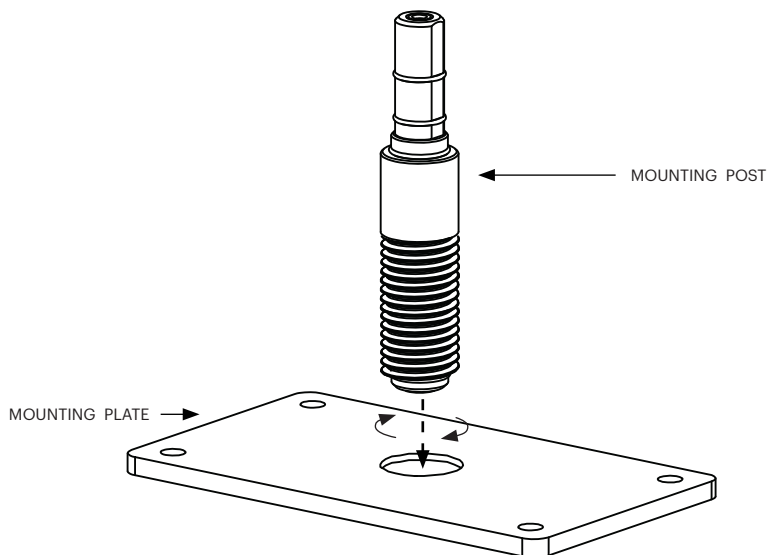
CIRCA GROMMET

ASSEMBLY & INSTALLATION INSTRUCTIONS

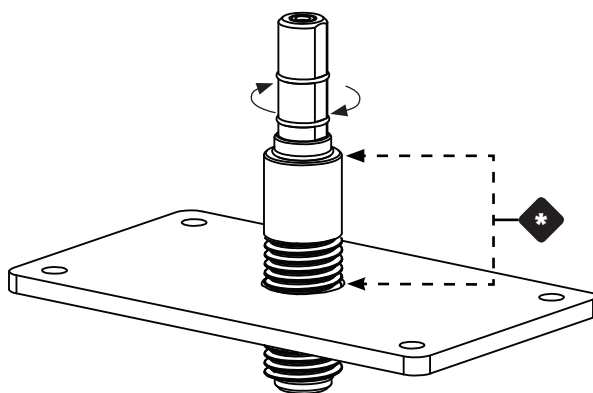


Pablo® CIRCA

1



2



Pablo®

CIRCA

EN: CIRCA SWITCH AND USB CHARGING

◆ TILT AND ROTATE LAMP HEAD AS DESIRED

A FOUR-STAGE OPTICAL SWITCH

B USB CHARGING PORT

CARE INSTRUCTIONS

WIPE CLEAN WITH A SOFT DAMP CLOTH. AVOID AMMONIA-BASED CLEANERS.

! HIGHLIGHTS

SINGLE 5.0V USB OUTPUT SUPPORTS CHARGING FOR SMARTPHONES AND OTHER SIMILAR MOBILE DEVICES.

SPECIFICATIONS

USB 2.0 OR 1.1 STANDARD CORD REQUIRED (CORD NOT INCLUDED)

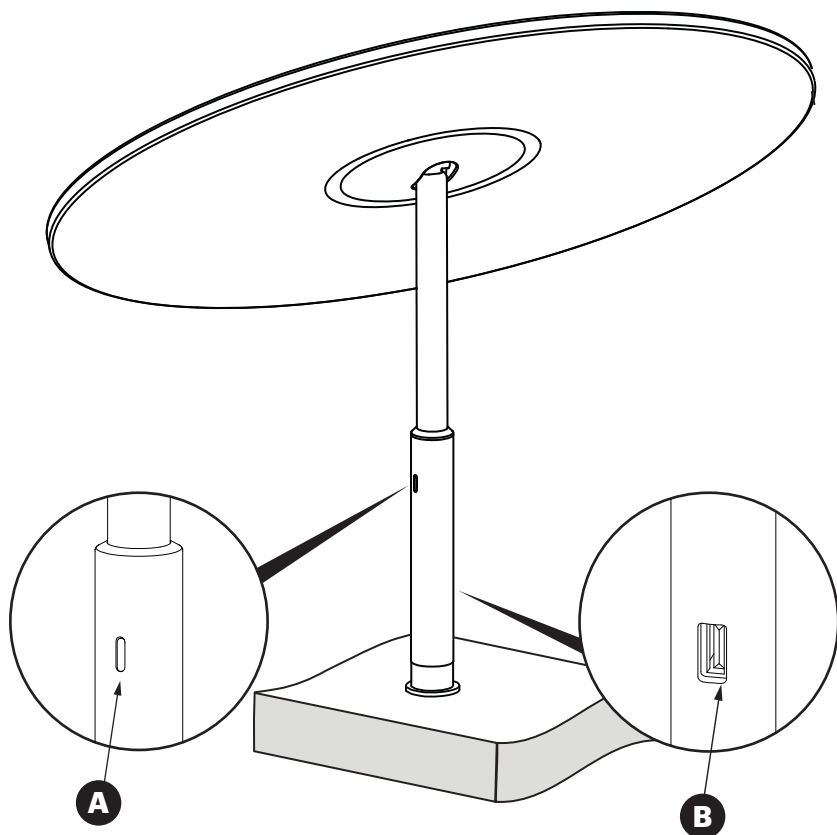
OUTPUT VOLTAGE: 5VDC +/- 5%

OUTPUT CURRENT: 1A MAX

NOTE

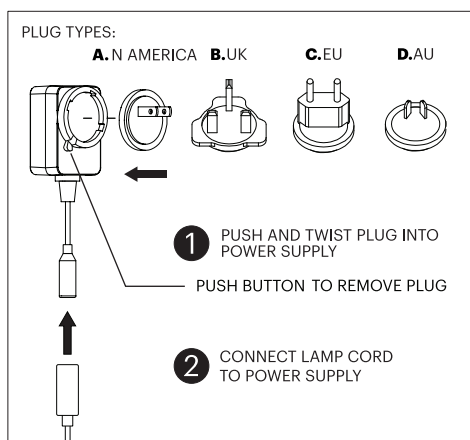
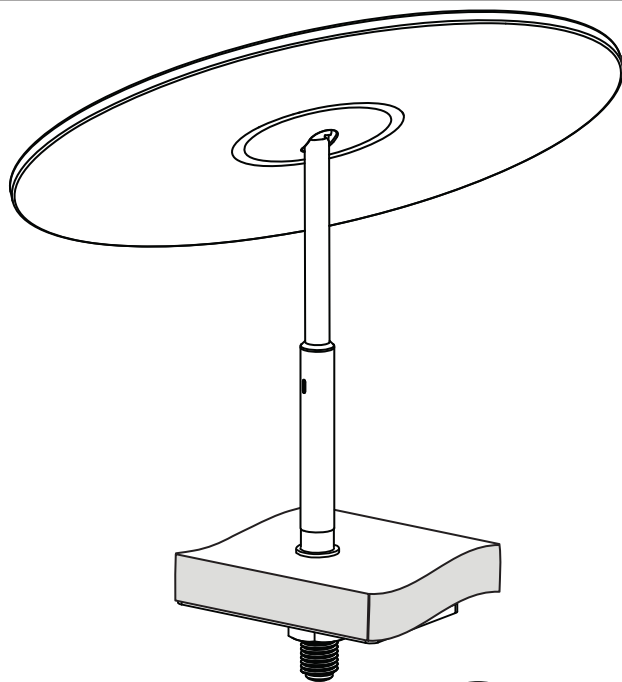
CIRCA WILL CONTINUE TO CHARGE YOUR MOBILE DEVICE EVEN WHEN LAMP IS IN THE "OFF" POSITION.

PLEASE REFER TO YOUR MOBILE DEVICE'S USER MANUAL FOR COMPATIBILITY AND CHARGING TIME. PLEASE REFRAIN FROM LEAVING YOUR DEVICE PLUGGED IN FOR LONGER THAN THE RECOMMENDED TIME, OTHERWISE IT MAY RESULT IN OVER CHARGING.



Pablo®

CIRCA



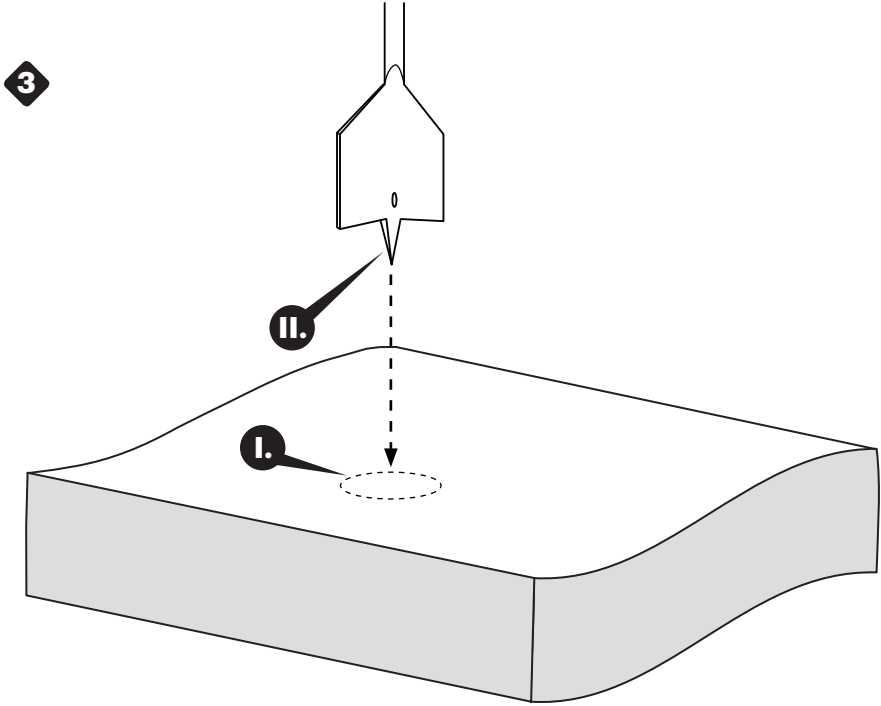
Pablo®

CIRCA

EN: ASSEMBLY

- ❶ THREAD MOUNTING POST INTO MOUNTING PLATE
- ❷ ENSURE MOUNTING POST IS THREADED TO ACCOUNT FOR SURFACE MATERIAL THICKNESS
- ❸ MARK AND DRILL LOCATION OF LAMP POST.
 - I. MARK DESIRED LOCATION OF LAMP ON SURFACE.
 - II. USE 7/8 (.875) INCH SPADE DRILL BIT TO DRILL HOLE FOR MOUNTING POST.

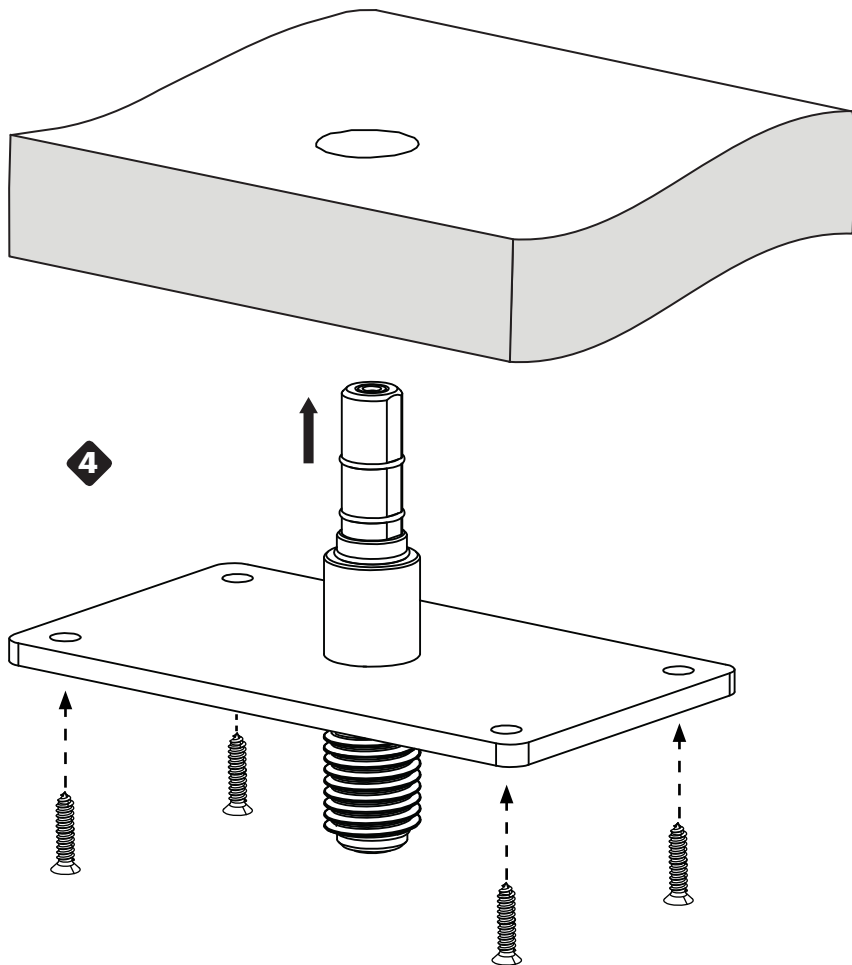
◆ SURFACE THICKNESS



Pablo® CIRCA

EN: ASSEMBLY

- 4 FASTEN MOUNTING PLATE ONTO THE SURFACE WITH SCREWS PROVIDED.
- 5 "CLICK" LAMP HEAD ONTO LAMP POST AND LAMP POST ONTO SURFACE MOUNT POST UNTIL FLUSH WITH SURFACE
- 6 TIGHTEN NUT TO MOUNTING POST TO SECURE LAMP POSITION



Pablo® CIRCA

