



CHISEL

903744FGT-NDD

CHISEL 44" FAN

DETAILS	
FAN FINISH:	Graphite
BLADE COUNT:	3

DIMENSIONS	
WIDTH:	44"
HEIGHT:	13.5"
TOP TO OUTLET:	0"

LIGHT SOURCE	
VOLTAGE:	120v

MOUNTING	
CANOPY:	6" Dia.
LEAD WIRE:	1 x 76"

Built with a sleek, carefully crafted design, Chisel redefines dramatic style. Made of sturdy solid wood blades, Chisel is available in Matte Black with Walnut blades, Matte White with Weathered Wood blades and Graphite with Driftwood blades. Chisel is DAMP rated, making it perfect for both interior and outdoor settings.

PRODUCT DETAILS:

- This item includes a 6" down rod. Various lengths are available to customize the installation height.
- Suitable for use in damp locations as defined by NEC and CEC. Meets United States UL Underwriters Laboratories & CSA Canadian Standards Association Product Safety Standards
- This item may be hung on a sloped ceiling
- Fan Control included, Wall Control - 6 Speed Reversing
- Motor carries a lifetime warranty
- Blades, controls, switches, capacitors and hardware carry a 1 year warranty
- Bold lines and a clean, minimalist style creates a modern look
- Accessory controls available that are compatible with your Wi-Fi for the ultimate Smart Home connectivity

HINKLEY

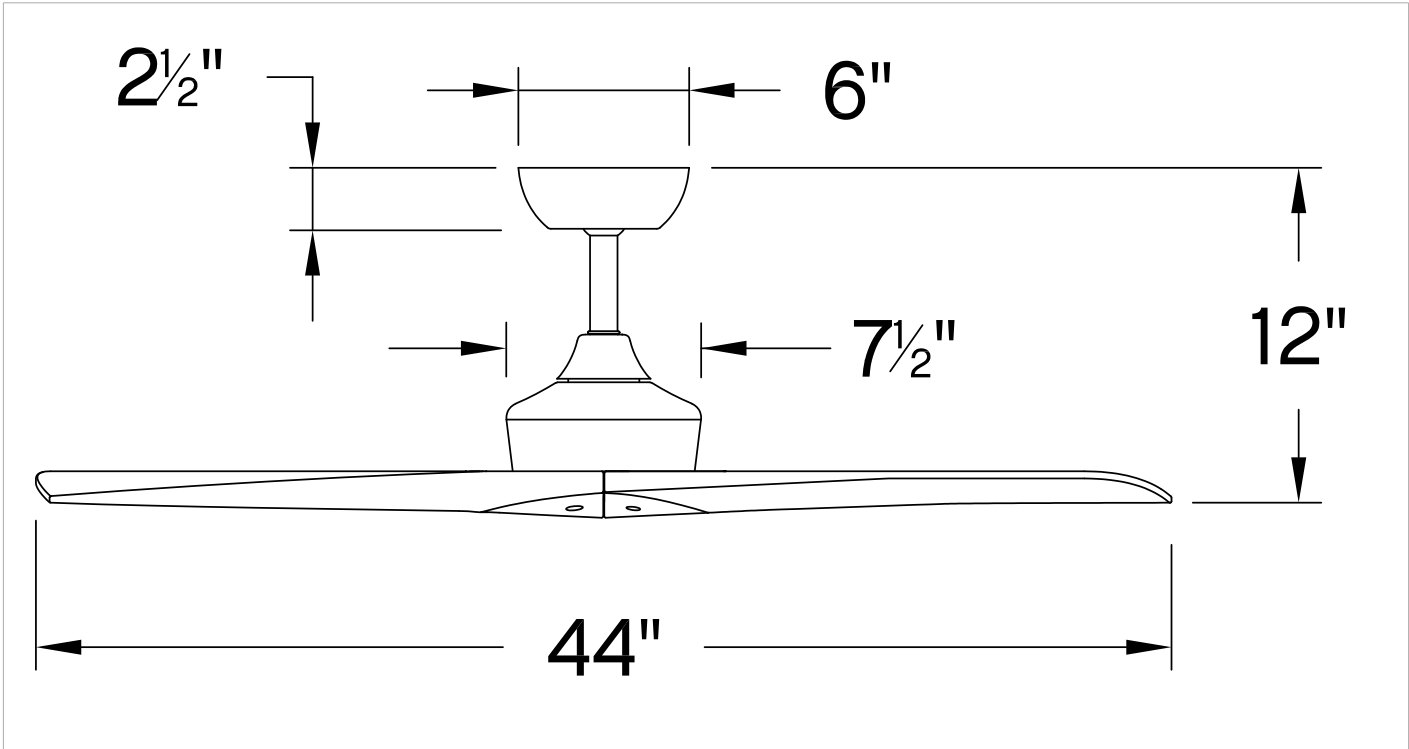
HINKLEY
33000 Pin Oak Parkway
Avon Lake, OH 44012

PHONE: (440) 653-5500
Toll Free: 1 (800) 446-5539

hinkley.com

CHISEL 44" FAN

903744FGT-NDD



PERFORMANCE SPECIFICATIONS	STANDARD	
	HIGH SPEED	AVERAGE SPEED
Airflow	5032	3193
EnergyUse	33.3	16
EnergyCost	9	4
Efficiency	151	200
AMPS	0.36	0.21
RPMS	289	170

AVERAGE PERFORMANCE AND ENERGY INFORMATION

ENERGYGUIDE

Estimated Yearly Energy Cost

\$4

\$3
\$34

Cost Range of Similar Models (19" – 84")

- Based on 12 cents per kWh and 6.4 hours use per day
- Your cost depends on rates and use
- Energy Use: 16 Watts

All estimates based on typical use, excluding lights

Airflow

3,139

Cubic Feet Per Minute

- The higher the airflow, the more air the fan will move
- Airflow Efficiency: 115 Cubic Feet Per Minute Per Watt

ftc.gov/energy

Airflow Shown is a Weighted Average of High and Low Cubic Feet per Minute Based on Downrod

HINKLEY

HINKLEY
33000 Pin Oak Parkway
Avon Lake, OH 44012

PHONE: (440) 653-5500
Toll Free: 1 (800) 446-5539

hinkley.com