

General Product information



This product is suitable for indoor dry locations only.



**CAUTION - RISK OF FIRE**



This product requires installation by a qualified electrician. Before installing be sure to read all instructions and **TURN POWER OFF TO THE JUNCTION BOX**

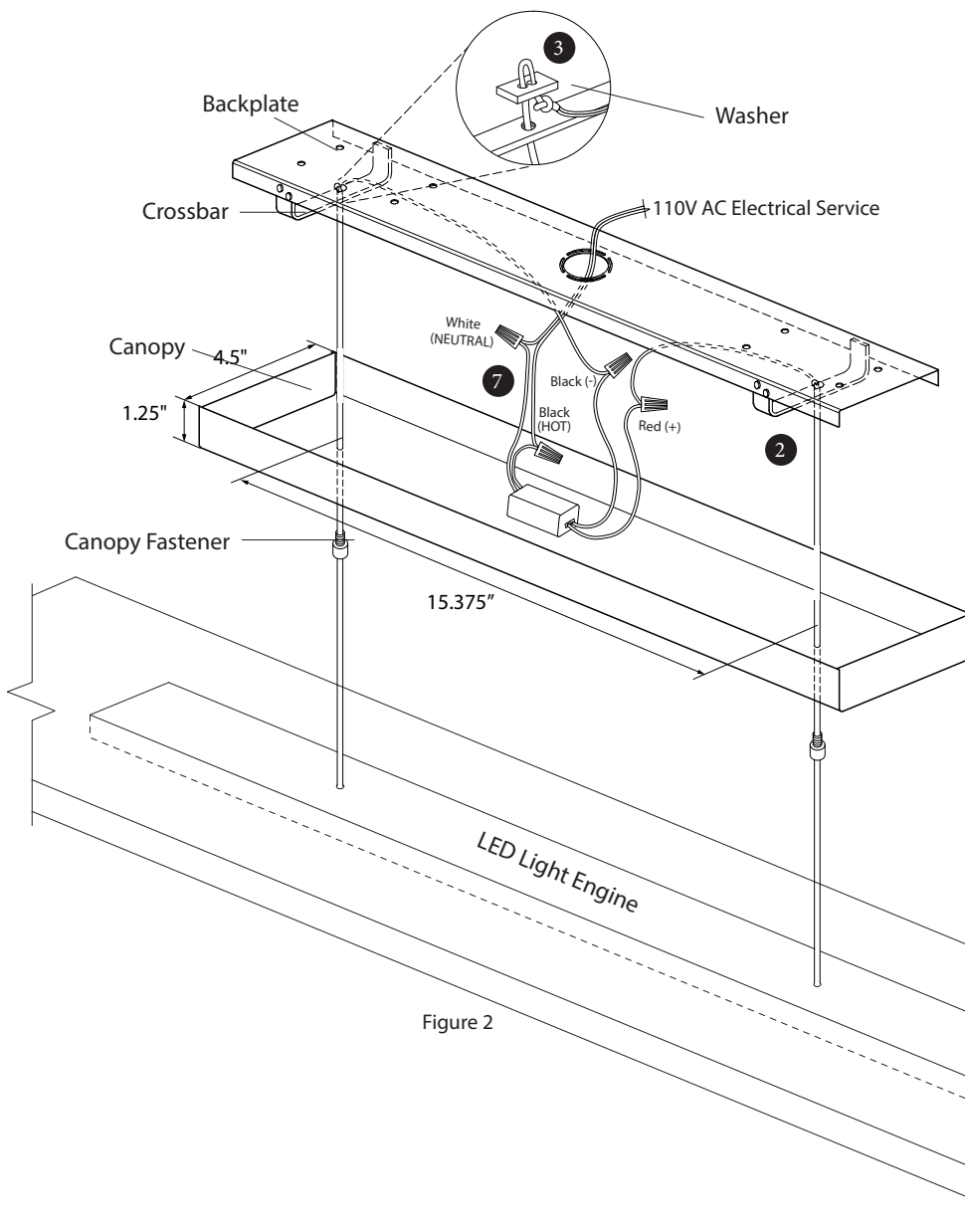
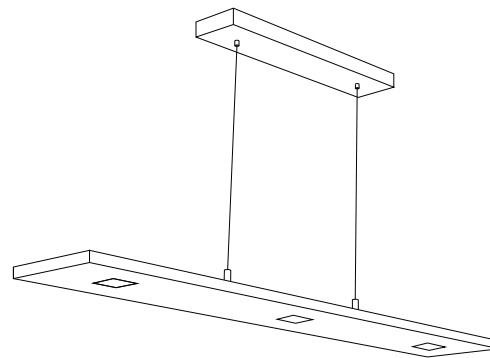


Figure 2

**Adjusting the Fixture Height**

- 1 Measure the desired height (H) that you want the fixture to hang below the ceiling.
- 2 Thread the cables through the canopy fasteners, canopy, crossbars, and washers.
- 3 Tie a knot in the cable at the desired length H

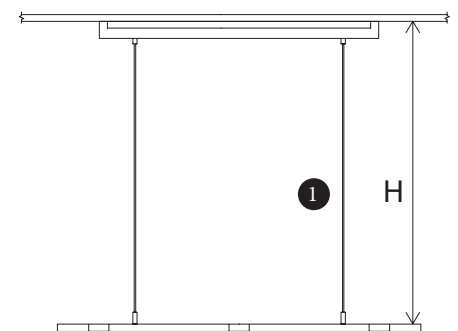


Figure 1

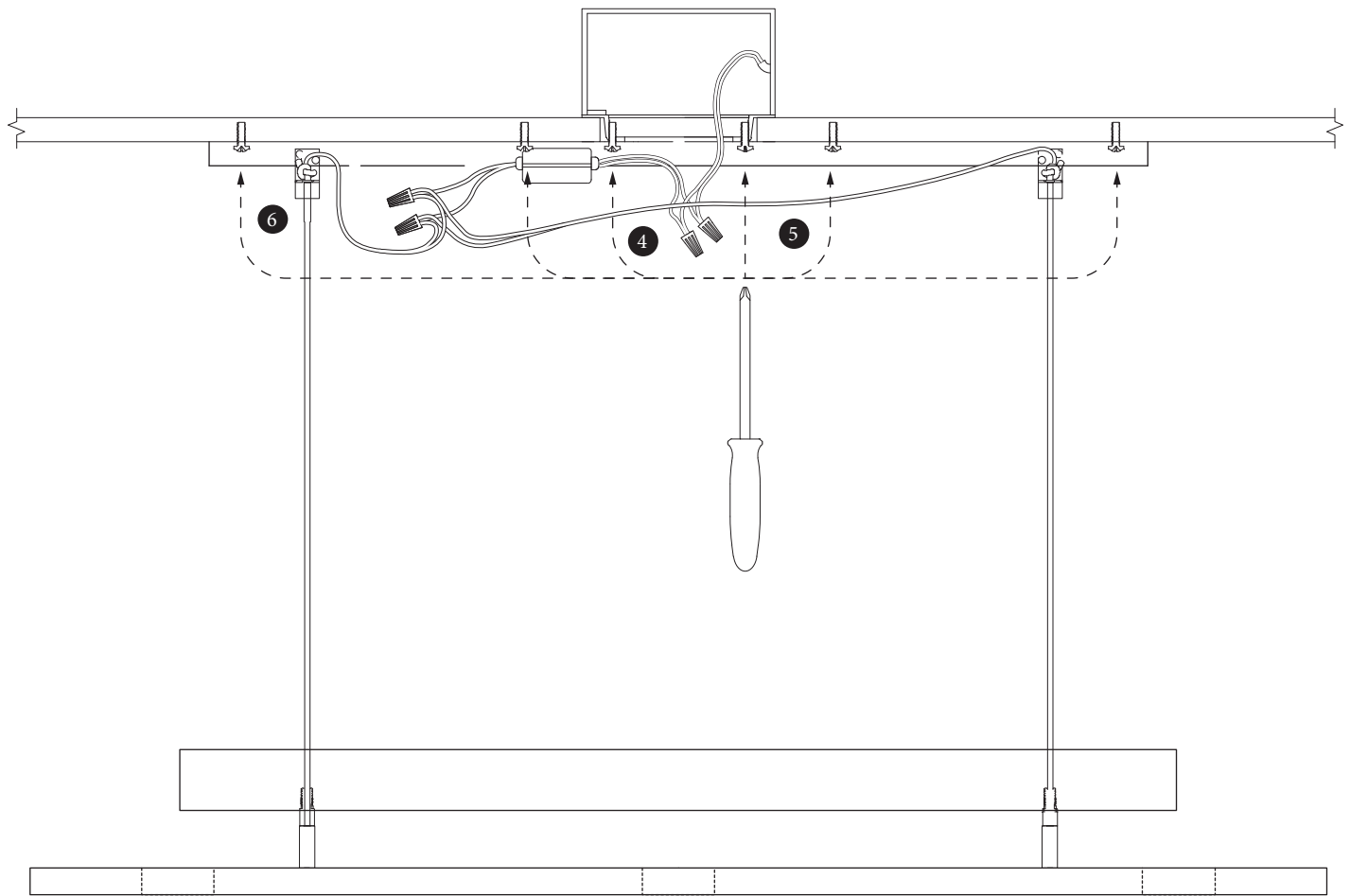


Figure 3

### Mounting the Fixture

- 4 Feed the power line wires through the hole in the center of the backplate.
- 5 Mount the backplate to the electrical box with the supplied #8-32 screws.
- 6 Secure the backplate to the ceiling using the additional mounting holes.

### Making Electrical Connections

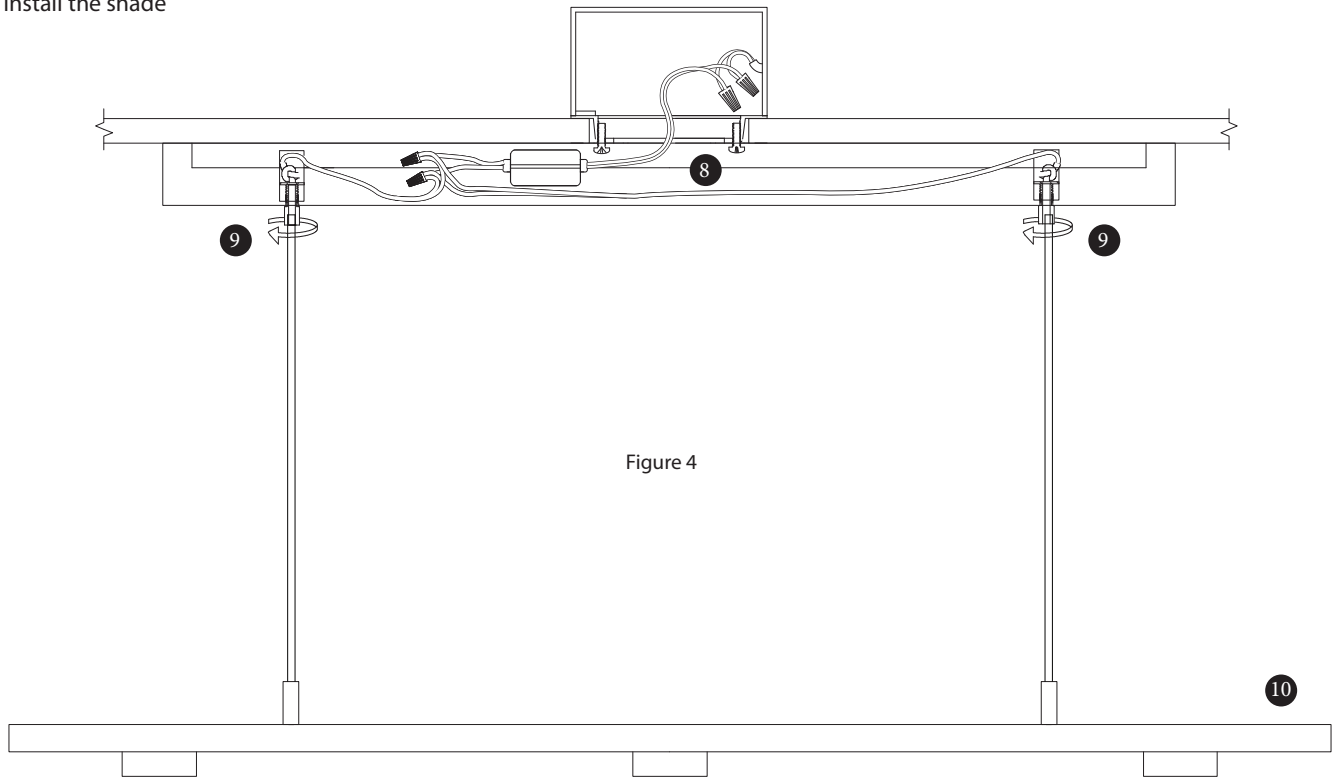
- 7 Make electrical connections as shown in figure 2 using the supplied wire nuts.

#### WARNING

THE LED DRIVER IS A DC DEVICE AND MUST BE ATTACHED TO THE LED LIGHT ENGINE AS SHOWN. CONNECTING THIS DEVICE INCORRECTLY WILL CAUSE SEVERE DAMAGE.

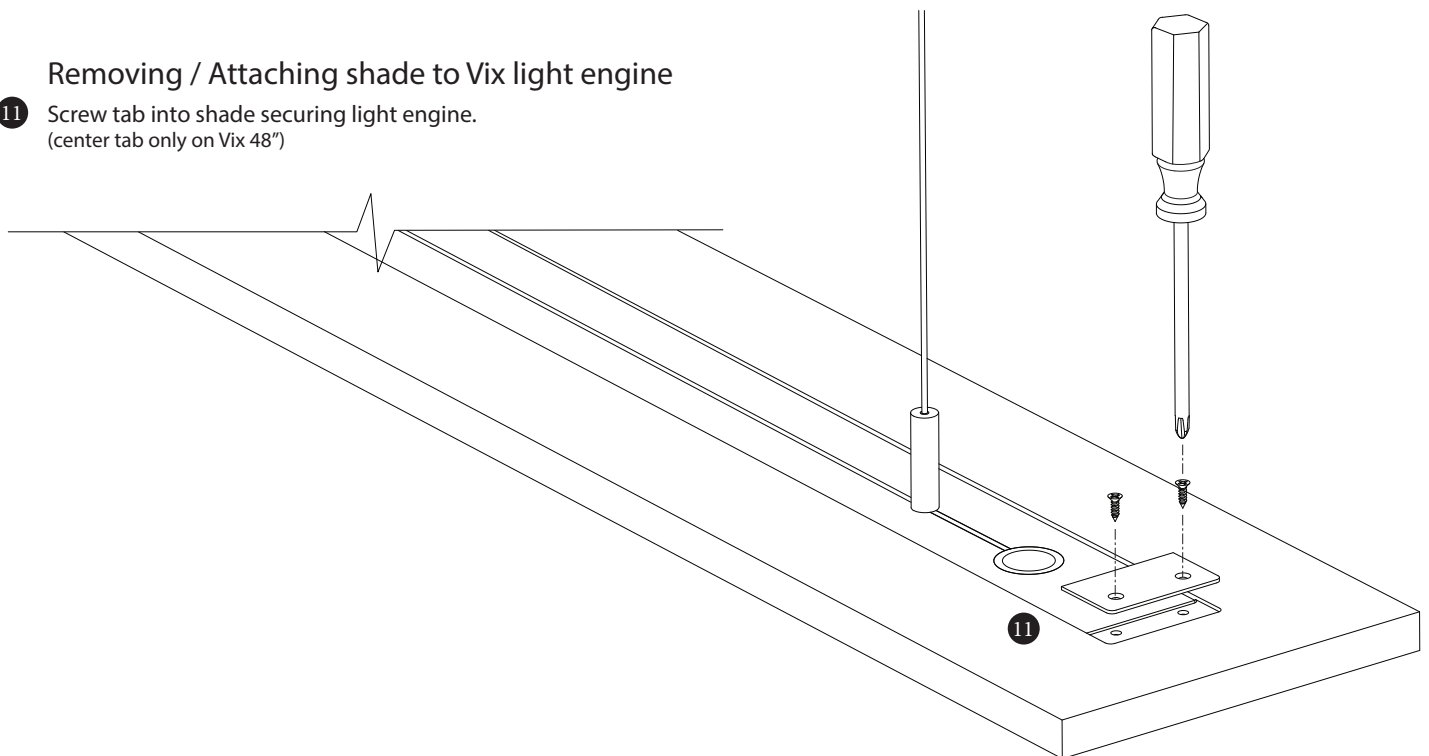
## Securing the Canopy

- 8 After electrical connections have been made, place all of the wires inside of the junction box.
- 9 Slide the canopy up the cables and secure it by screwing the canopy fasteners into the crossbars.
- 10 Install the shade



## Removing / Attaching shade to Vix light engine

- 11 Screw tab into shade securing light engine.  
(center tab only on Vix 48")



### Important Note!

This fixture comes with a universal driver that can operate within an input voltage range of 120 and 277 V AC. See the table below to understand which types of dimming are available for a particular input voltage.

Input Voltage	Dimming Type
120	Triac, ELV, and 0-10V
240	0-10V only
277	0-10V only

The purple and grey leads exiting from the LED driver are there to enable dimming of the fixture through the use of a compatible 0-10V dimmer. If the fixture is to be dimmed using a 0-10V dimmer, follow the wiring instructions provided with the dimmer.

If the fixture is NOT to be dimmed using a 0-10V dimmer, the tinned ends of these leads should be snipped off and the leads should be capped individually such that they remain isolated from one another.

The wiring diagram below only applies if the fixture is to be controlled by a 0-10V dimmer.

