

## General Product Information

This product is suitable for indoor dry locations only.

This product is to be installed to a standard 4" junction box with 3" round plaster ring or an octagon junction box.



### CAUTION - RISK OF FIRE



This product requires installation by a qualified electrician. Before installing be sure to read all instructions and **TURN POWER OFF TO THE JUNCTION BOX**

### Bulb and Dimmability Notes:

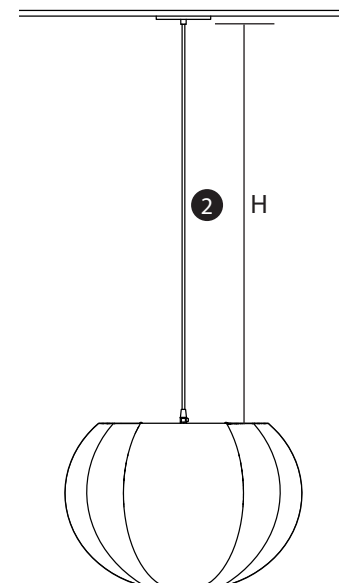
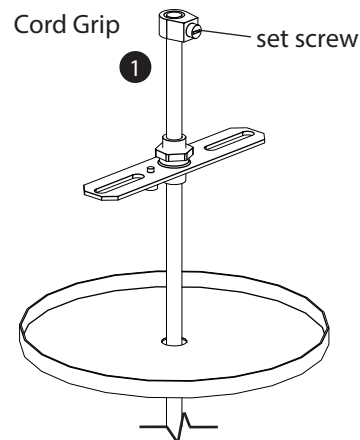
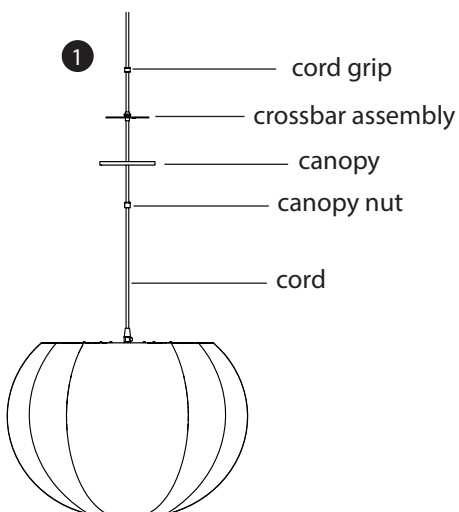
**Medium Base (E26):** The ability to dim the fixture will depend on the type of bulb selected. The Medium Base (E26) version of this fixture accepts Medium Base (E26) based lamps (not included). Ensure that the lamps do not exceed the maximum rated wattage listed on socket

**LED Version:** Fixture can be dimmed with TRIAC, ELV, or 0-10V dimming at 120 VAC input. For 240 or 277 VAC input, fixture is only dimmable with 0-10V dimming. Wiring details are outlined on the instructions.



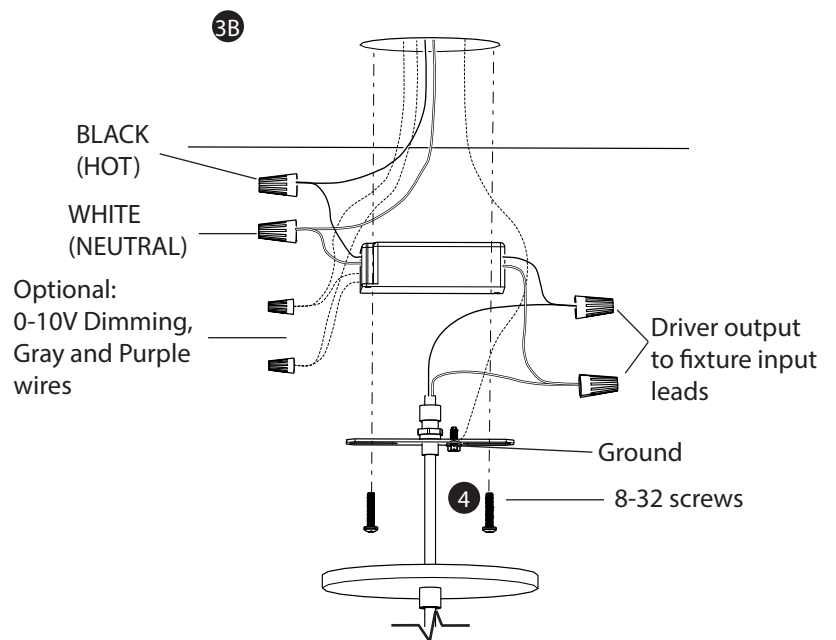
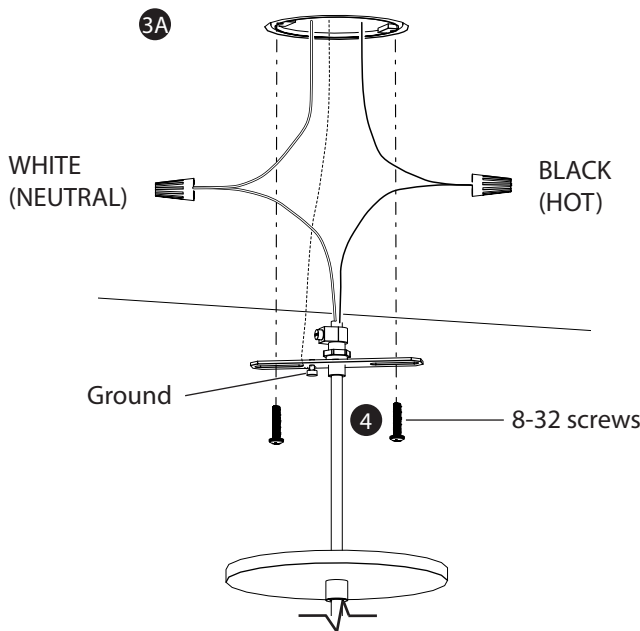
## Adjusting the Fixture Height

- 1 Untighten the set screw on the cord grip. Feed the cord from the shade through the canopy nut, the canopy, the crossbar assembly, and the cord grip.
- 2 Measure the desired height (H) that you want the fixture to hang below the ceiling. Once you have reached your desired length, tighten the set screw on the cord grip.



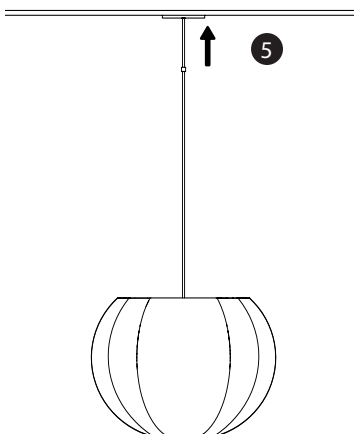
## Making Electrical Connection

- 3A** E26 Base Version:  
Use wire nuts to make electrical connections between fixture leads and line service. Connect a ground wire to the ground screw on the crossbar assembly.
- 3B** Integrated LED Version:  
Pull the line voltage wires from the junction box. Use wire nuts to make connections between line voltage wires and the driver. Place the driver and the electrical connections inside the junction box and pull out the driver output wires and connect them to the fixture input leads. Connect a ground wire to the ground screw on the crossbar assembly.
- (Optional) If 0-10V dimming control is to be used, connect purple and grey LED Driver leads to leads from remote 0-10V dimmer.
- 4** Use the provided 8-32 screws to secure the crossbar assembly to the junction box.



## Final Steps

- 5** Push the canopy upwards until the canopy is flush with the ceiling. Use the canopy nut to secure the canopy.
- 6** E26 Base Version:  
Insert the bulbs into the fixture



### CRITICAL NOTE:

If 0-10V dimming is not being used, the tinned ends of the purple and grey LED Driver leads should be snipped off and these leads should be capped individually such that they remain isolated from one another.

### Dimming Notes

Input Voltage	Dimming Modes
120 VAC	Triac, ELV, or 0-10V
240 VAC	0-10V only
277 VAC	0-10V only

