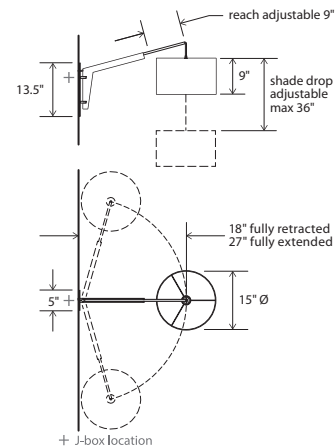




## Talea articulate wall sconce



Dimensions: 18.38" x 5" x 34.75", 15" Ø shade  
 Materials: solid wood, metal  
 Product weight: 5 lb  
 Light source: medium base E26 socket  
 Lamping: E26 base, type A lamp, 60 W max  
 Bulb not included  
 Input voltage: 250 V AC max  
 Clear SVT-3 cord included  
 Top and bottom diffusers included (CM-051)  
 Wood grain will vary  
 Specifications subject to change  
 Patent No. : US D846,180 5



### SWING ARM LENGTH

Arm length (from the wall to center of shade) can be adjusted between 18" and 27"

### DROP LENGTH

Max drop length from tip of extended arm to top of shade is 36"

### SWING ARM ROTATION

Adjustable resistance in pivot hinge

### MATERIAL & FINISH OPTIONS

Talea part # 03-210-

#### Metal Finish

brushed aluminum (CM-006) A  
 textured black powdercoat (CM-049) B

#### Wood Body

walnut (CM-001) W  
 dark stained walnut (CM-002) D

#### Fabric Shade

burlap (CM-017) N  
 white linen (CM-016) L  
 black amaretto (CM-018) A

#### Includes

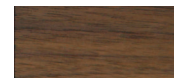
frosted polymer diffuser (CM-051)



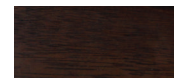
brushed aluminum (CM-006)



textured black (CM-049)



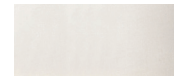
walnut (CM-001)



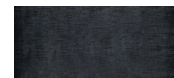
dark stained walnut (CM-002)



burlap (CM-017)



white linen (CM-016)



black amaretto (CM-018)



The adaptive and interactive features of the Talea introduced exciting challenges to the design process. I believe we found a balance that allows this fixture to thrive in a range of spaces and different applications. I am really pleased with how the design language turned out, specifically how the expressive hinge suggests its ability to swing, and how the wood to metal arm detailing suggests the arm can telescope. It's a beautiful mixture of utility and elegance.

Nick Sheridan  
 Designer

