

General Product Information

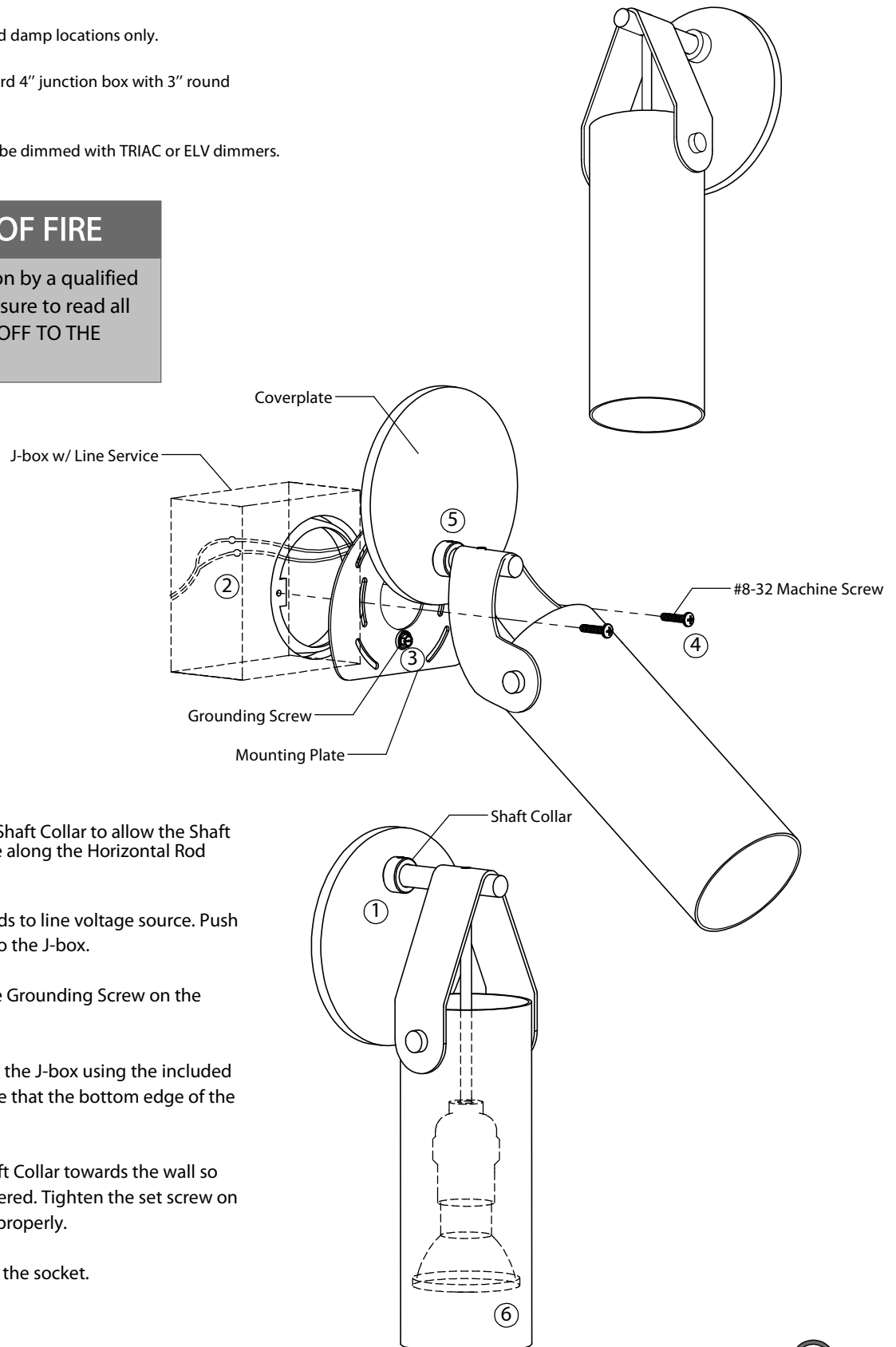
This product is suitable for indoor dry and damp locations only.

This product is to be installed to a standard 4" junction box with 3" round plaster ring or an octagon junction box.

Fixtures shipped with bulb included can be dimmed with TRIAC or ELV dimmers.

CAUTION - RISK OF FIRE

This product requires installation by a qualified electrician. Before installing be sure to read all instructions and **TURN POWER OFF TO THE JUNCTION BOX**



- ① Loosen the set screw on the Shaft Collar to allow the Shaft Collar and Coverplate to slide along the Horizontal Rod towards the Leather Strap.
- ② Connect the fixture input leads to line voltage source. Push excess wire and wire nuts into the J-box.
- ③ Connect a ground wire to the Grounding Screw on the Mounting Plate.
- ④ Fasten the Mounting Plate to the J-box using the included #8-32 Machine Screws. Ensure that the bottom edge of the Mounting Plate is level.
- ⑤ Slide the Coverplate and Shaft Collar towards the wall so that the Mounting Plate is covered. Tighten the set screw on the Shaft Collar once seated properly.
- ⑥ Install a PAR20 lightbulb into the socket.

