

General Product information

This product is suitable for indoor dry locations only.



CAUTION - RISK OF FIRE



This product requires installation by a qualified electrician. Before installing be sure to read all instructions and **TURN POWER OFF TO THE JUNCTION BOX**

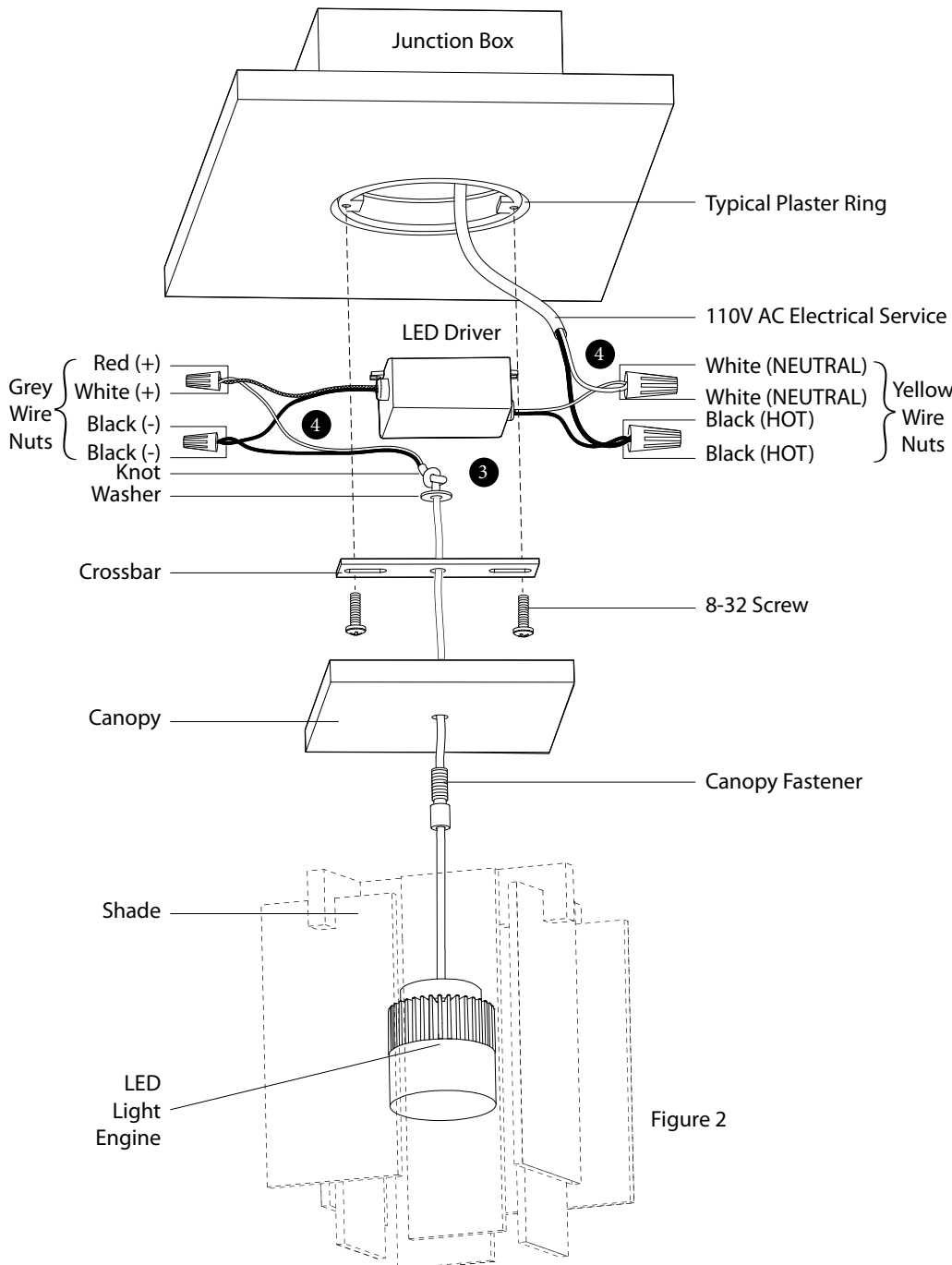
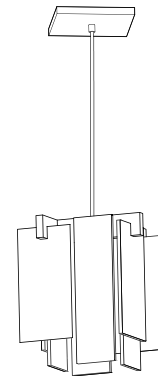


Figure 2

Adjusting the Fixture Height

- 1 Measure the desired height (H) that you want the fixture to hang below the ceiling.
- 2 Thread the cable through the top diffuser, shade, thumb nut, canopy, crossbar assembly, and washer. (See Figure 2)
- 3 Tie a knot in the cable at the desired length H.

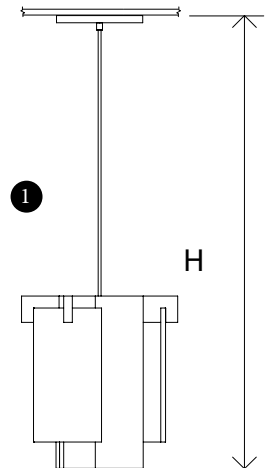


Figure 1

Making Electrical Connections

- 4 Make electrical connections as shown in figure 2 using the supplied wire nuts.

WARNING

THE LED DRIVER IS A DC DEVICE AND MUST BE ATTACHED TO THE LED LIGHT ENGINE AS SHOWN. CONNECTING THIS DEVICE INCORRECTLY WILL CAUSE SEVERE DAMAGE.

Mounting the Fixture

- 5 Attach the crossbar to the junction box using the supplied 8-32 screws.

Securing the Canopy

- 6 After electrical connections have been made, place line voltage connections and excess wire inside of the junction box.
- 7 Slide the canopy up the cable and secure it by screwing the canopy fastener into the crossbar.

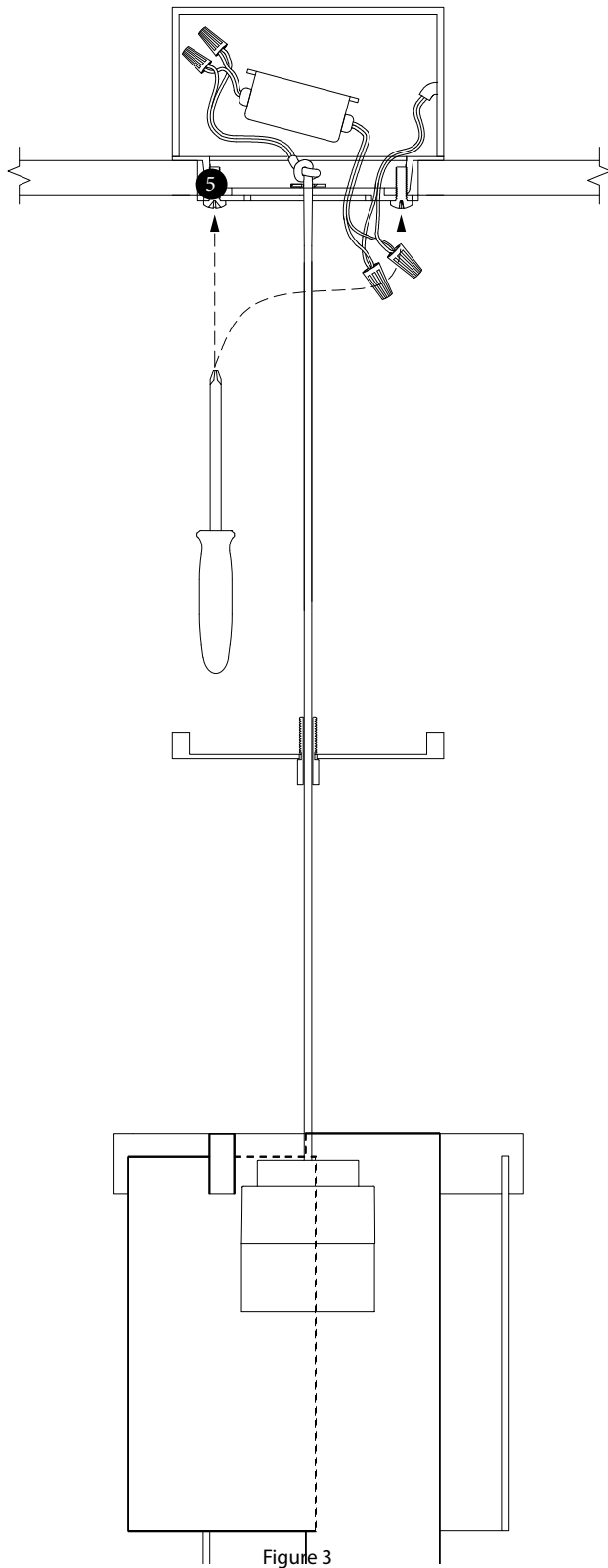


Figure 3

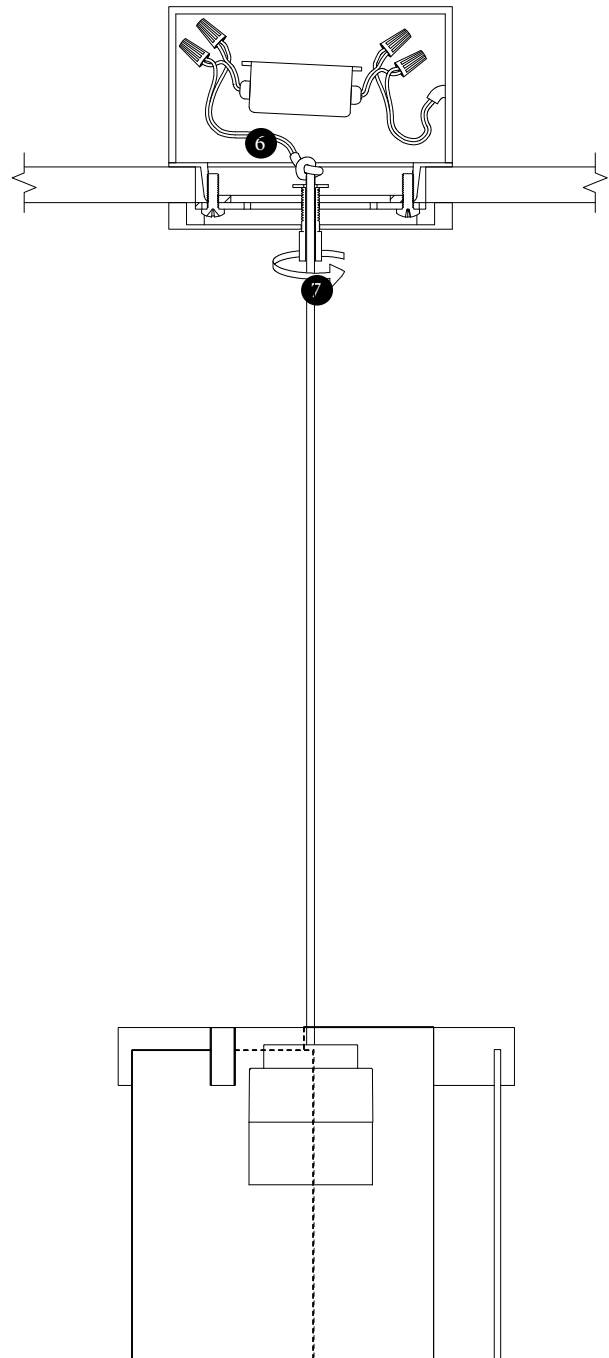


Figure 4