

cerno®



DESIGNED AND MADE IN CALIFORNIA

Rima Sconce



dark stained walnut



white washed oak



walnut



brushed brass



distressed brass



oil rubbed bronze



satin nickel



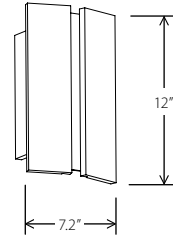
textured black



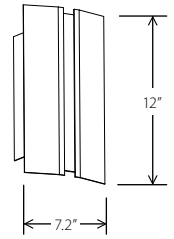
textured white

## Rima sconce

WOOD



METAL



Dimensions: 12" x 7.2" x 4"

Product weight: 3 lb

Light source: integrated LED

Light output: 1130 Lumens (source)

Light color: 2700 K, 3000 K, 3500 K, or 4000 K

Color accuracy: 90+ CRI

Power usage: 14 W

Wood grain will vary

Specifications subject to change



Rima Sconce part # 03-270-

### Body - Wood Construction

walnut (CM-001)

dark stained walnut (CM-002)

white washed oak (CM-095)

### Body - Metal Construction

textured black (CM-049)

textured white (CM-060)

satin nickel (CM-124)

brushed brass (CM-120)

distressed brass (CM-117)

oil rubbed bronze (CM-029)

### Lamping

2700 K LED

3000 K LED

3500 K LED

4000 K LED

### Driver

AC input Voltage Range: 120-277 V

120 V input: TRIAC, ELV & 0-10 V dimmable

240 & 277 V input: only 0-10 V dimmable

### Includes

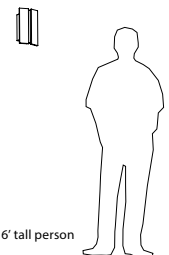
frosted polymer (CM-051)

W  
D  
O  
  
B  
Y  
N  
R  
P  
Z

27  
30  
35  
40

P1

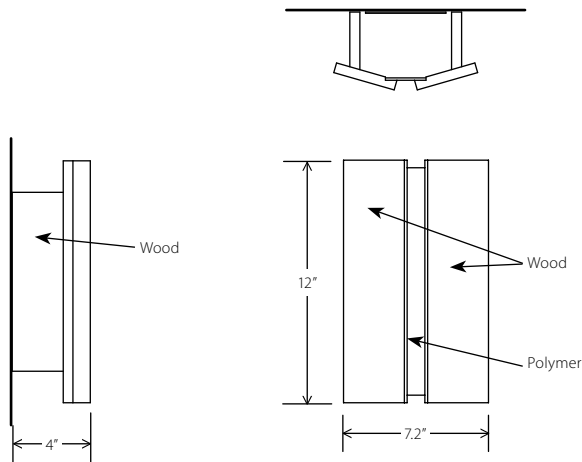
The Rima sconce is an illuminating example of functional minimalism. The shade is distilled down to a few essential materials composing a sleek modern design that emits a beautiful quality of light. The Rima is available in a variety of metal and wood finishes.



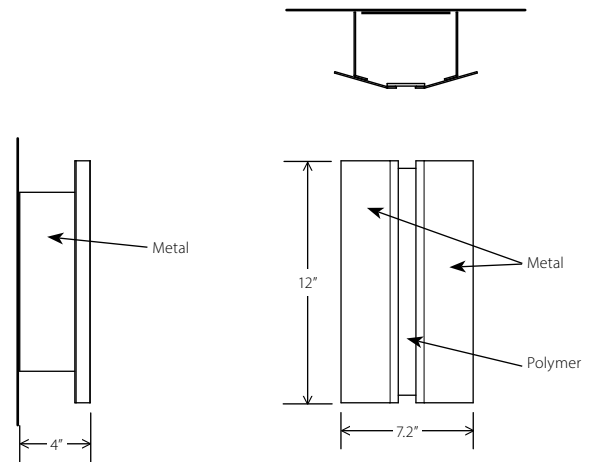
6' tall person

**WARNING.** California Proposition 65 Warning for California Consumers. This product can expose you to chemicals including wood dust and lead which are known to the State of California to cause cancer or birth defects or other reproductive harm. For more information go to [www.P65Warnings.ca.gov](http://www.P65Warnings.ca.gov)

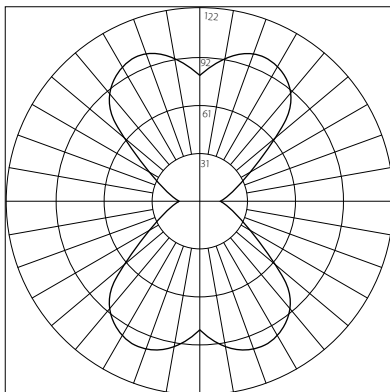
## WOOD



## METAL



## PHOTOMETRIC POLAR GRAPH



Maximum Candela = 122  
 Located at:  
 Horizontal Angle = 0,  
 Vertical Angle = 35

Output specifications shown for 2700K CCT and walnut finish for vertical plane through 90-270 degree horizontal angles. Other CCTs and material finishes may cause output specifications to vary.

## FINISHES



walnut (CM-001)



dark stained walnut (CM-002)



white washed oak (CM-095)



brushed brass (CM-120)



distressed brass (CM-117)



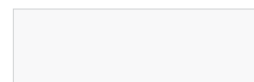
oil rubbed bronze (CM-029)



satin nickel (CM-124)



textured black powder coat (CM-049)



textured white powder coat (CM-060)

## TECHNICAL SPECIFICATIONS

- Light source: integrated LED
- Light output: 1130 Lumens (source)
- Light color: 2700 K, 3000 K, 3500 K, or 4000 K
- Input voltage: 120-277 V AC
- Color accuracy: 90+ CRI
- Power usage: 14 W
- Dimmability: TRIAC, ELV, or 0-10V at 120 V AC input  
 0-10V only at 240-277 V AC input
- Materials: solid wood, polymer, aluminum
- Wood grain will vary
- Specifications subject to change



**▲WARNING.** California Proposition 65 Warning for California Consumers. This product can expose you to chemicals including wood dust and lead which are known to the State of California to cause cancer or birth defects or other reproductive harm. For more information go to [www.P65Warnings.ca.gov](http://www.P65Warnings.ca.gov)