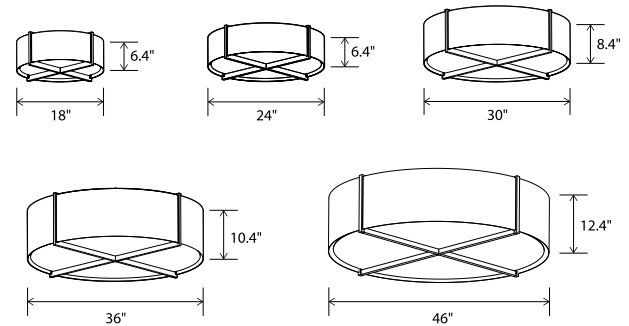
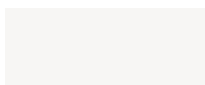
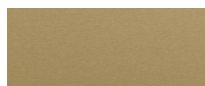
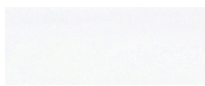
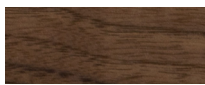


## Plura flush mount



The Plura is a simple, straight forward fixture that is excellently executed. With the Plura it was about resolving the seams and edges and their relationships to one another. The result is a scalable fixture that has a sharp, sophisticated feel.

Nick Sheridan, Designer



### Dimensions:

- Plura 18: 18" Ø, 6.4"
- Plura 24: 24" Ø, 6.4"
- Plura 30: 30" Ø, 8.4"
- Plura 36: 36" Ø, 10.4"
- Plura 46: 46" Ø, 12.4"

### Materials: solid wood, polymer

### Product weight:

- Plura 18: 5 lb
- Plura 24: 6 lb
- Plura 30: 9 lb
- Plura 36: 13 lb
- Plura 46: 20 lb

### Integrated LED Specifications

#### Light output:

- Plura 18 & 24: 1690 Lumens (source)
- Plura 30, 36, & 46: 2815 Lumens (source)

#### Light color: 2700 K, 3000 K, 3500 K, or 4000 K

#### Color accuracy: 90+ CRI

#### Power usage:

- Plura 18 & 24: 19.5 W
  - Plura 30, 36, & 46: 32.5 W
- Dimmable (see driver below)

### GU-24 Base Specifications

#### Light source:

- Plura 18 & 24: 2x GU-24 base socket
  - Plura 30, 36, & 46: 4x GU-24 base socket
- Lamping:**  
 Plura 18 & 24: 2x GU-24 base self-ballasted bulbs, 18 W max each  
 Plura 30, 36, & 46: 4x GU-24 base self-ballasted bulbs, 18 W max each  
 Bulbs not included  
 Input voltage: 300 V AC max

Wood grain will vary  
 Specifications subject to change



Emergency backup option available upon request.

Also available in a pendant version.

### MATERIAL & FINISH OPTIONS

#### Plura flush mount part # 08-100-

#### Size

- 18" Ø
- 24" Ø
- 30" Ø
- 36" Ø
- 46" Ø

- 18
- 24
- 30
- 36
- 46

#### Wood Body

- walnut (CM-001)
- dark stained walnut (CM-002)
- white washed oak (CM-095)

- W
- D
- O

#### Shade Material

- frosted polymer (CM-051)
- matte black (CM-085) with matte white interior
- brushed aluminum (CM-012)
- brushed rose gold (CM-046)
- brushed brass (CM-047)
- distressed brass (CM-096)
- gloss white (CM-054)

- F
- B
- A
- G
- R
- D
- W

#### Lamping

- 2700 K LED
- 3000 K LED
- 3500 K LED
- 4000 K LED
- GU-24 base sockets

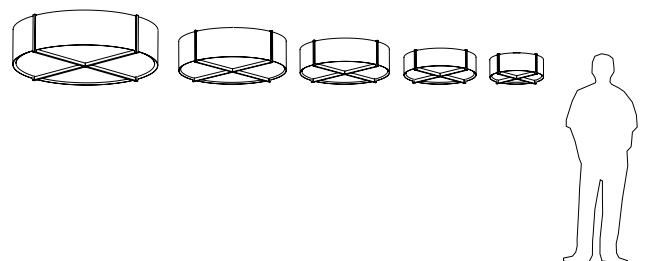
- 27
- 30
- 35
- 40
- GU

#### Driver (LED version only)

- AC Input Voltage Range: 120-277 V
- 120 V input: TRIAC, ELV & 0-10 V dimmable
- 240 & 277 V input: only 0-10 V dimmable

- P1

Includes: frosted polymer (CM-051)



▲WARNING: California Proposition 65 Warning for California Consumers. This product can expose you to chemicals including wood dust and lead which are known to the State of California to cause cancer or birth defects or other reproductive harm. For more information go to [www.P65Warnings.ca.gov](http://www.P65Warnings.ca.gov)