


General Product information 

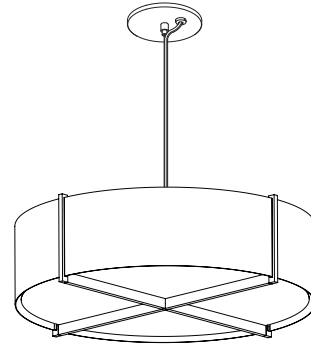
This product is suitable for indoor dry and damp locations only.

This product is to be installed to a 4" square junction box with a 3" round plaster ring or an octagon junction box.

Bulb and Dimmability Notes:

GU-24 Version: The ability to dim the fixture will depend on the type of bulb selected. The GU-24 version of this fixture accepts GU-24 based lamps (not included). Ensure that the lamps do not exceed the maximum rated wattage listed on socket.

LED Version: Fixture can be dimmed with TRIAC, ELV, or 0-10V dimming at 120VAC input. For 240 or 277VAC input, fixture is only dimmable with 0-10V dimming. Wiring details are outlined on second page of instructions.



 **CAUTION - RISK OF FIRE** 

This product requires installation by a qualified electrician. Before installing be sure to read all instructions and **TURN POWER OFF TO THE JUNCTION BOX**

**GU-24 Model Only**

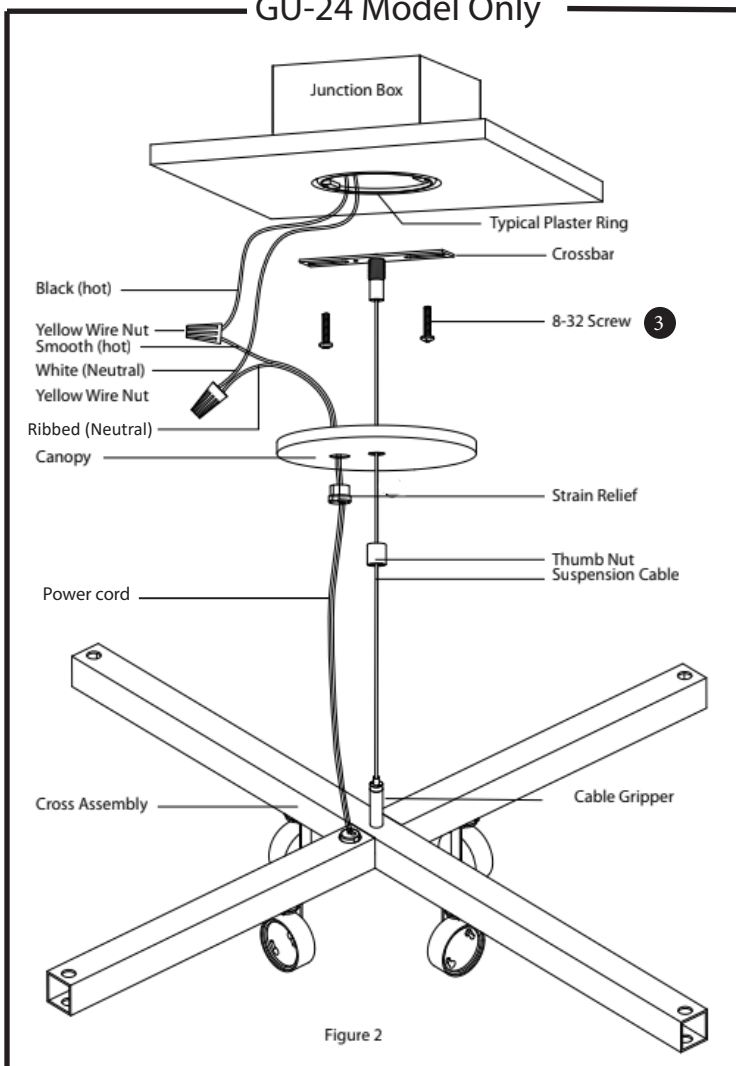


Figure 2

**All Models**

**Fasten Crossbar to Ceiling**

- 1 Place the shiny side of the top diffuser over the cross assembly. Thread the suspension cable through the canopy and thumb nut.
- 2 Push the end of the suspension cable into the Cable Gripper on top of the fixture Cross Assembly. The cable will exit out the side hole of the Cable Gripper. Pull cable until desired drop length H (figure 1) is achieved.

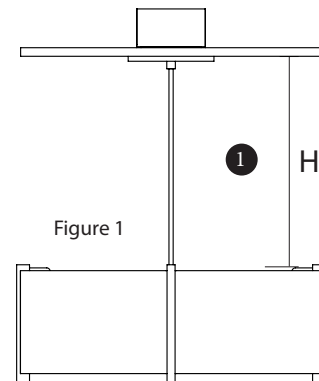
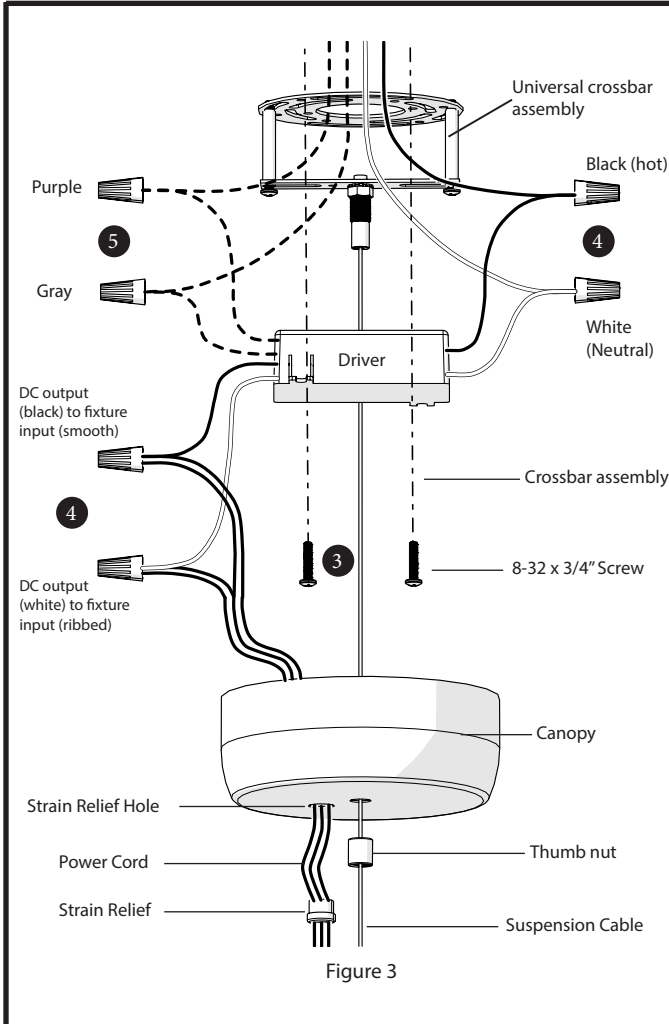


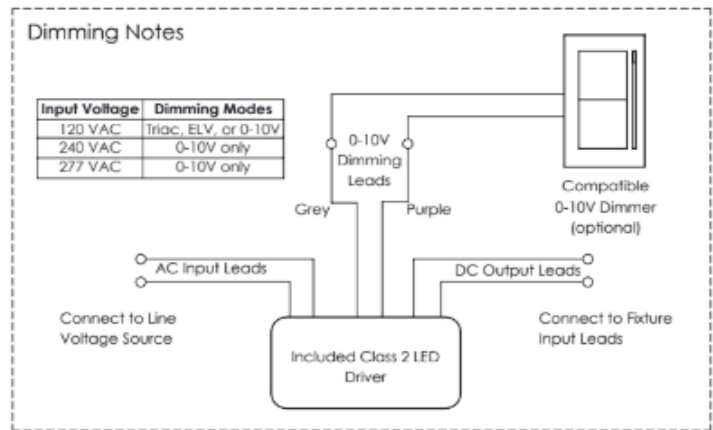
Figure 1

- 3 Fasten the Crossbar to the junction box using the included #8-32 machine screws.
- 4 Feed power cord from the fixture through the top diffuser and then through the strain relief hole in the canopy.
- 5 Make electrical connections as shown in figure 2 using the supplied wire nuts. One power lead should be smooth and the other should be ribbed. Connect the smooth conductor to the hot line and the ribbed conductor to the neutral line.
- 6 After electrical connections have been made, place wire connections and excess wire into the junction box.

LED Model Only



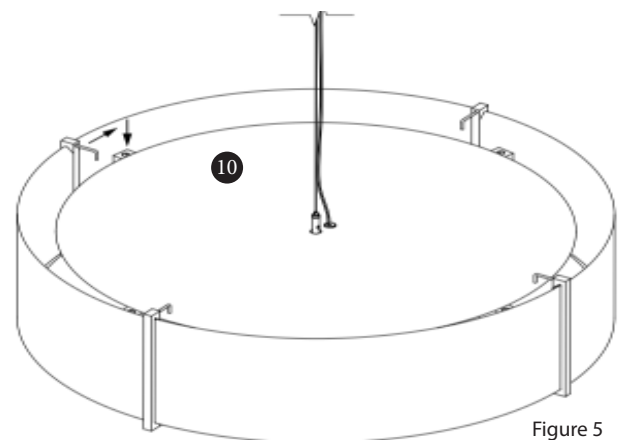
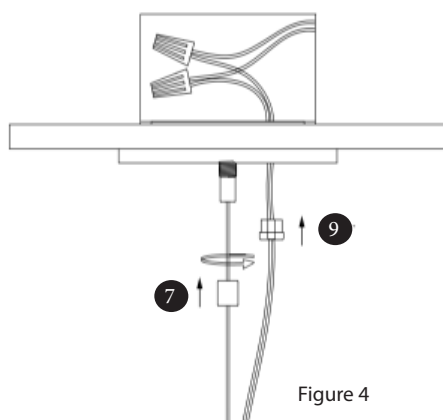
- 3 Fasten the universal crossbar assembly to the ceiling junction box using the included #8-32 x 3/4" machine screws.
- 4 Pull line voltage wires out of the junction box. Feed the clear power cord coming from the cross assembly through top diffuser and then through the strain relief hole in the canopy and make connections between line voltage wires, driver, and power cord.
- 5 **CRITICAL NOTE:** If 0-10V dimming control is to be used, connect purple and gray driver leads to 0-10V dimmer. Otherwise, the tinned ends of the leads should be snipped off and the leads should be capped individually such that they remain isolated from one another.
- 6 Once all connections have been made, push all excess wire connections into the junction box.



All Models

Securing the Canopy

- 7 Slide the canopy up the cable and secure it by screwing the thumb nut onto the crossbar assembly.
- 8 Use cable ties to fasten the power cord to the suspension wire.
- 9 Squeeze the strain relief onto the power wires just below the canopy. Once tightly compressed, press the strain relief into the strain relief hole in the canopy until fully engaged.



Installing the Shade

GU-24 Model Only :  
Install the GU-24 bulbs (not included) into fixture sockets.

- 10 All Models:  
Raise the shade and rotate so that all four hooks fall into the four holes in the cross assembly.