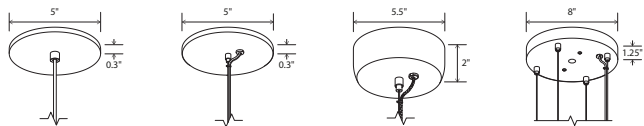




36", dark stained walnut, gloss white

The Plura is a simple, straight forward fixture that is excellently executed. With the Plura it was about resolving the seams and edges and their relationships to one another. The result is a scalable fixture that has a sharp, sophisticated feel.

Nick Sheridan, Designer



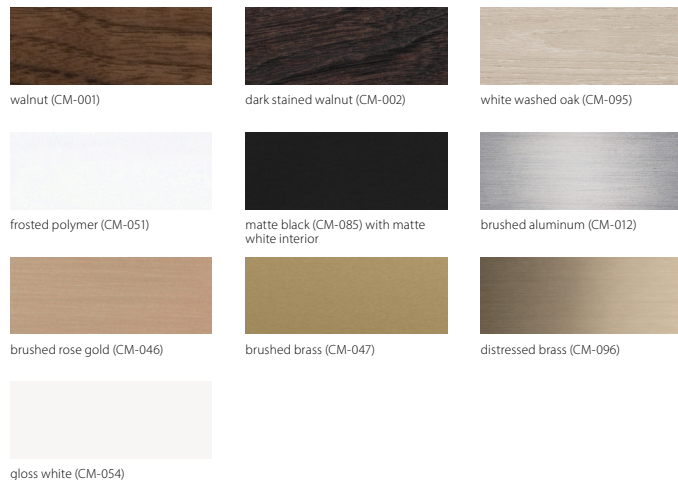
Plura 18 & 24:
textured white (CM-060)
low-profile round canopy
with white SVT

**Plura 30 GU-24
Base Sockets:**
textured white (CM-060)
low-profile round canopy,
clear SPT with steel cable

Plura 30 Integrated LED:
textured white (CM-060)
extended round canopy,
clear SPT with steel cable

Plura 36 & 46:
textured white (CM-060)
8" round canopy, clear SPT
with steel cable

See website for more canopy information.



walnut (CM-001)

dark stained walnut (CM-002)

white washed oak (CM-095)

frosted polymer (CM-051)

matte black (CM-085) with matte white interior

brushed aluminum (CM-012)

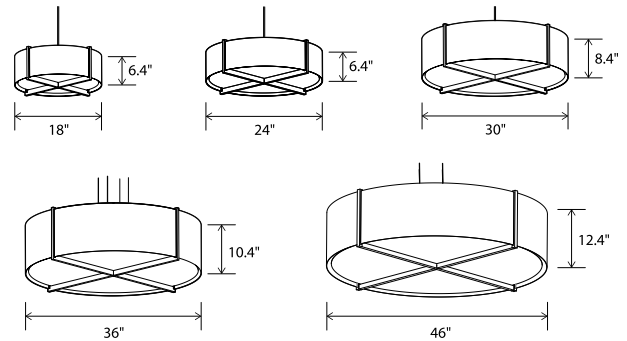
brushed rose gold (CM-046)

brushed brass (CM-047)

distressed brass (CM-096)

gloss white (CM-054)

Plura pendant



Dimensions:

Plura 18: 18" Ø, 6.4"

Plura 24: 24" Ø, 6.4"

Plura 30: 30" Ø, 8.4"

Plura 36: 36" Ø, 10.4"

Plura 46: 46" Ø, 12.4"

Materials: solid wood, polymer

Product weight:

Plura 18: 5 lb

Plura 24: 6 lb

Plura 30: 9 lb

Plura 36: 13 lb

Plura 46: 20 lb

Integrated LED Specifications

Light output:

Plura 18 & 24: 1690 Lumens (source)

Plura 30, 36, & 46: 2815 Lumens (source)

Light color: 2700 K, 3000 K, 3500 K, or 4000 K

Color accuracy: 90+ CRI

Power usage:

Plura 18 & 24: 19.5 W

Plura 30, 36, & 46: 32.5 W

Dimmable (see driver below)

Plura 18 & 24 driver location: must be housed in J-box

Driver dimensions: 3.3" x 1.6" x 1", included

Plura 30, 36, & 46 driver location: housed in canopy

GU-24 Base Specifications

Light source:

Plura 18 & 24: 2x GU-24 base socket

Plura 30, 36, & 46: 4x GU-24 base socket

Lamping:

Plura 18 & 24: 2x GU-24 base self-ballasted bulbs, 18 W max each

Plura 30, 36, & 46: 4x GU-24 base self-ballasted bulbs, 18 W max each

Bulbs not included

Input voltage: 300 V AC max

See at left for canopy information

Suitable for a sloped ceiling

Wood grain will vary

Specifications subject to change



MATERIAL & FINISH OPTIONS

Plura pendant part # 06-230-

Size	
18" Ø	18
24" Ø	24
30" Ø	30
36" Ø	36
46" Ø	46
Wood Body	
walnut (CM-001)	W
dark stained walnut (CM-002)	D
white washed oak (CM-095)	O
Shade Material	
frosted polymer (CM-051)	F
matte black (CM-085) with matte white interior	B
brushed aluminum (CM-012)	A
brushed rose gold (CM-046)	G
brushed brass (CM-047)	R
distressed brass (CM-096)	D
gloss white (CM-054)	W
Lamping	
2700 K LED	27
3000 K LED	30
3500 K LED	35
4000 K LED	40
GU-24 base sockets	GU
Driver (LED version only)	
AC Input Voltage Range: 120-277 V	
120 V input: TRIAC, ELV & 0-10 V dimmable	
240 & 277 V input: only 0-10 V dimmable	P1

Includes: frosted polymer (CM-051)

Also available in a flush mount version

