



36", dark stained walnut, gloss white



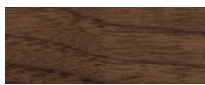
walnut, brushed brass



walnut, matte black with matte white

The Plura is a simple, straight forward fixture that is excellently executed. With the Plura it was about resolving the seams and edges and their relationships to one another. The result is a scalable fixture that has a sharp, sophisticated feel.

Nick Sheridan, Designer



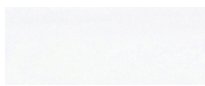
walnut (CM-001)



dark stained walnut (CM-002)



white washed oak (CM-095)



frosted polymer (CM-051)



matte black (CM-085) with matte white interior



brushed aluminum (CM-012)



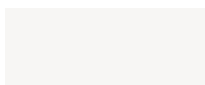
brushed rose gold (CM-046)



brushed brass (CM-047)

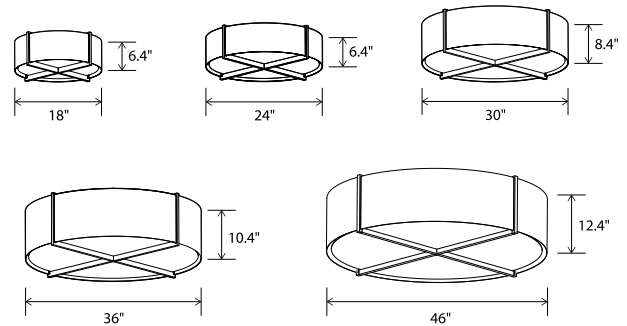


distressed brass (CM-096)



gloss white (CM-054)

Plura flush mount



Dimensions:

Plura 18: 18" Ø, 6.4"
 Plura 24: 24" Ø, 6.4"
 Plura 30: 30" Ø, 8.4"
 Plura 36: 36" Ø, 10.4"
 Plura 46: 46" Ø, 12.4"

Materials: solid wood, polymer

Product weight:

Plura 18: 5 lb
 Plura 24: 6 lb
 Plura 30: 9 lb
 Plura 36: 13 lb
 Plura 46: 20 lb

Integrated LED Specifications

Light output:

Plura 18 & 24: 1690 Lumens (source)
 Plura 30, 36, & 46: 2815 Lumens (source)

Light color:

2700 K, 3000 K, 3500 K, or 4000 K
Color accuracy: 90+ CRI
Power usage:
 Plura 18 & 24: 19.5 W
 Plura 30, 36, & 46: 32.5 W
 Dimmable (see driver below)

GU-24 Base Specifications

Light source:

Plura 18 & 24: 2x GU-24 base socket
 Plura 30, 36, & 46: 4x GU-24 base socket
Lamping:
 Plura 18 & 24: 2x GU-24 base self-ballasted bulbs, 18 W max each
 Plura 30, 36, & 46: 4x GU-24 base self-ballasted bulbs, 18 W max each
 Bulbs not included
 Input voltage: 300 V AC max

Wood grain will vary
 Specifications subject to change



Emergency backup option available upon request.

Also available in a pendant version.

MATERIAL & FINISH OPTIONS

Plura flush mount part # 08-100-

Size

18" Ø
 24" Ø
 30" Ø
 36" Ø
 46" Ø

18
 24
 30
 36
 46

Wood Body

walnut (CM-001)
 dark stained walnut (CM-002)
 white washed oak (CM-095)

W
 D
 O

Shade Material

frosted polymer (CM-051)
 matte black (CM-085) with matte white interior
 brushed aluminum (CM-012)
 brushed rose gold (CM-046)
 brushed brass (CM-047)
 distressed brass (CM-096)
 gloss white (CM-054)

F
 B
 A
 G
 R
 D
 W

Lamping

2700 K LED
 3000 K LED
 3500 K LED
 4000 K LED
 GU-24 base sockets

27
 30
 35
 40
 GU

Driver (LED version only)

AC Input Voltage Range:
 120-277 V
 120 V input: TRIAC, ELV & 0-10 V dimmable
 240 & 277 V input: only 0-10 V dimmable

P1

Includes: frosted polymer (CM-051)

