

General Product Information 

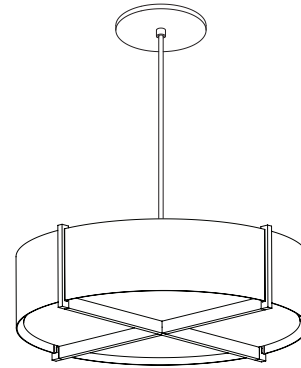
This product is suitable for indoor dry and damp locations only.

This product is to be installed to a standard 4" junction box with 3" round plaster ring or an octagon junction box.

Bulb and Dimmability Notes:

GU-24 Version: The ability to dim the fixture will depend on the type of bulb selected. The GU-24 version of this fixture accepts GU-24 based lamps (not included). Ensure that the lamps do not exceed the maximum rated wattage listed on socket.

LED Version: Fixture can be dimmed with TRIAC, ELV, or 0-10V dimming at 120VAC input. For 240 or 277 VAC input, fixture is only dimmable with 0-10V dimming. Wiring details are outlined on third page on instructions.

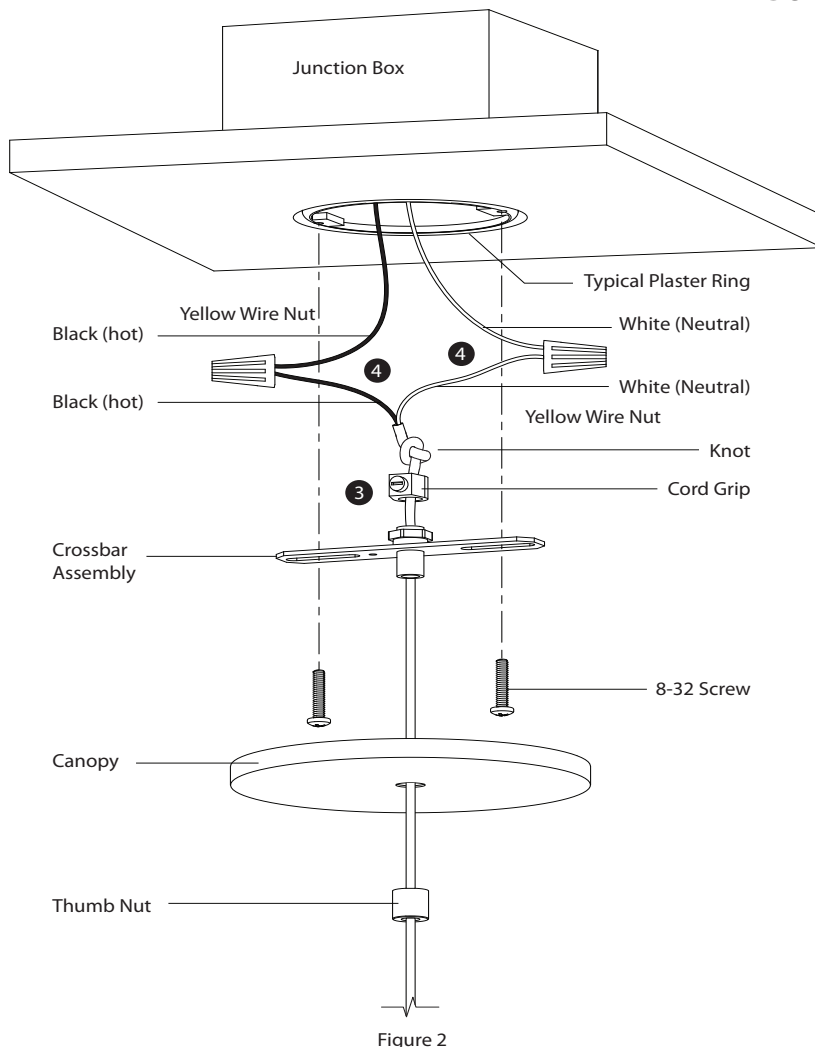


CAUTION - RISK OF FIRE



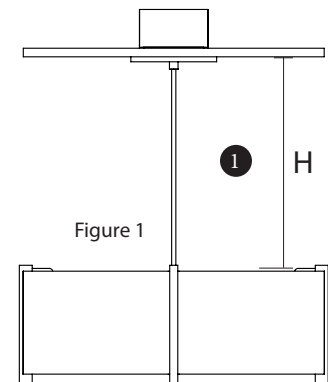
This product requires installation by a qualified electrician. Before installing be sure to read all instructions and **TURN POWER OFF TO THE JUNCTION BOX**

GU-24 Model Only



Adjusting the Fixture Height

- 1 Measure the desired height (H) that you want the fixture to hang below the ceiling.
- 2 Thread the cable through the thumb nut, canopy, crossbar assembly and cord grip.
- 3 Tighten cord grip onto cable at desired height (H) using a small flathead screw driver. As an added safety measure, tie a knot in the cable above the cord grip.



Making Electrical Connections

- 4 Make electrical connections as shown in figure 2 using the supplied wire nuts.

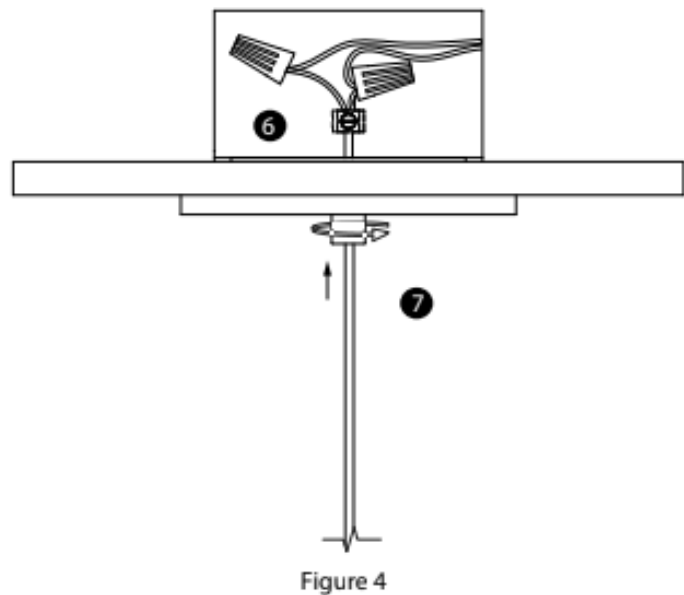
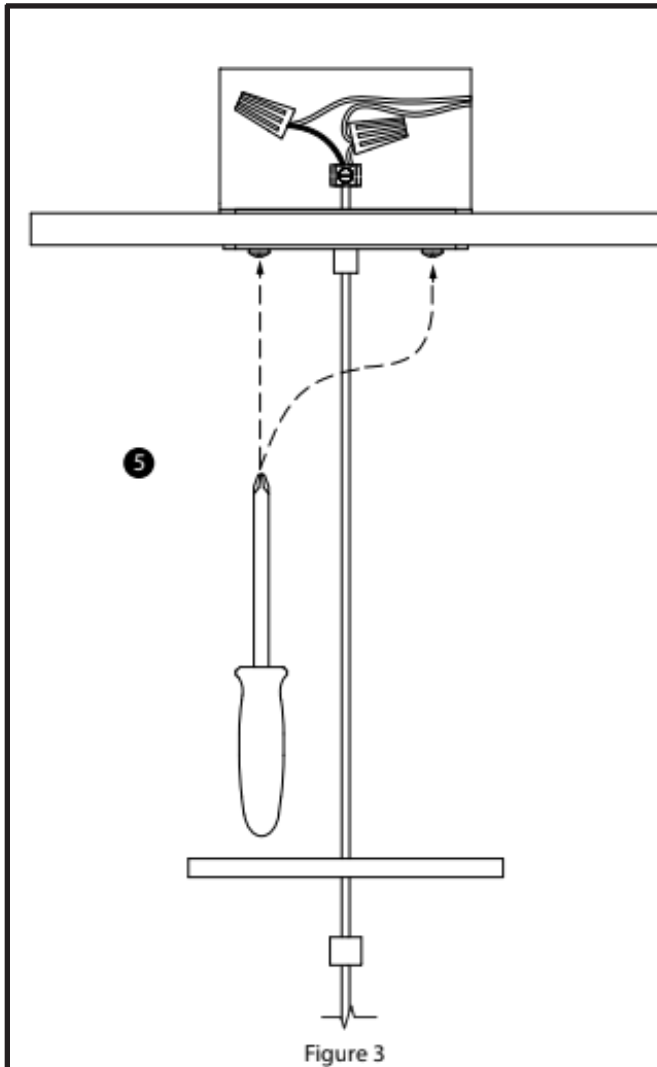
GU-24 Model Only

Mounting the Fixture

- 5 Attach the crossbar assembly to the junction box using the supplied 8-32 screws.

Securing the Canopy

- 6 After electrical connections have been made, place wire connections and excess wire into the junction box.
- 7 Slide the canopy up the cable and secure it by screwing the thumb nut onto the crossbar assembly.



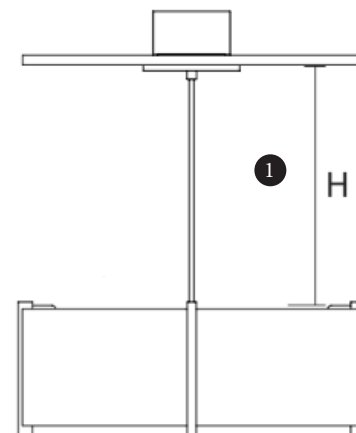
- 8 Install GU-24 bulbs (not included) into fixture sockets.

LED Model Only

Installing the Canopy

- 1 Measure the desired height (H) that you want the fixture to hang below the ceiling.
- 2 Thread the cable through the thumb nut, canopy, crossbar assembly and cord grip.
- 3 Tighten cord grip onto cable at desired height (H) using a small flathead screw driver. As an added safety measure, tie a knot in the cable above the cord grip.

Note: See figure 6 for steps 2-3



LED Model Only

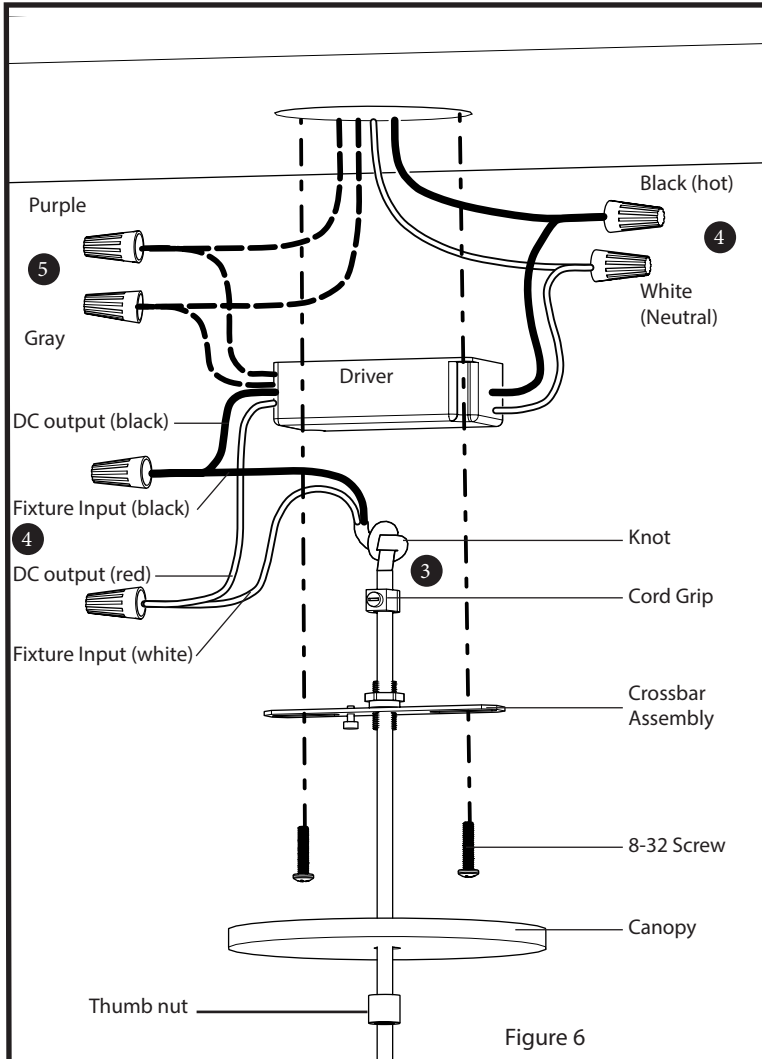


Figure 6

4 Pull line voltage wires out of the junction box. Make connections between fixture leads and line voltage wires.

5 CRITICAL NOTE: If 0-10V dimming control is to be used, connect purple and gray driver leads to 0-10V dimmer. Otherwise, the tinned ends of these leads should be snipped off and the leads should be capped individually such that they remain isolated from one another.

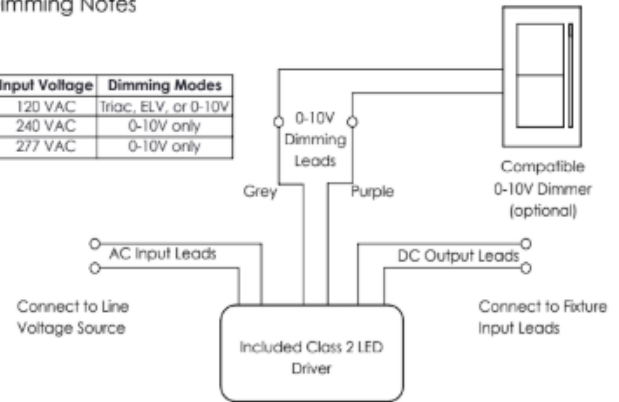
Once all connections have been made, push all excess wire and connections into the junction box.

6 Fasten the crossbar assembly to the junction box using the included #8-32 x 0.750" machine screws.

7 Once the Canopy is secured, tighten the thumb nut onto the pipe nipple on the crossbar assembly.

Dimming Notes

Input Voltage	Dimming Modes
120 VAC	Triac, ELV, or 0-10V
240 VAC	0-10V only
277 VAC	0-10V only



All Models

1 Slide the shade onto the Ceiling Assembly at an angle so that the hooks go above the polymer diffuser.

2 Rotate the shade so that all four hooks fall into the four holes in the polymer diffuser.

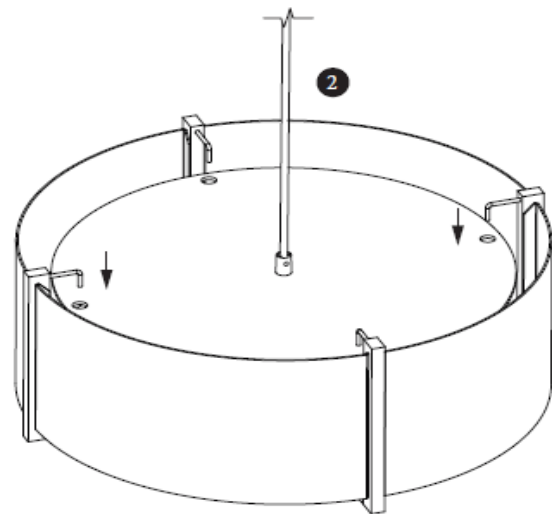
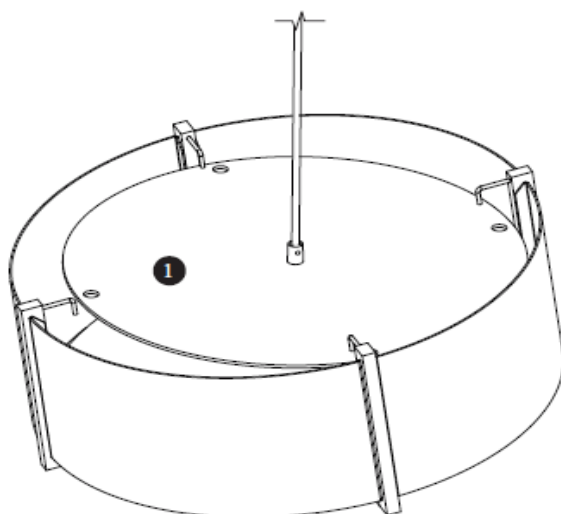


Figure 7