



brushed brass



walnut



dark stained walnut



white washed oak



brushed aluminum



distressed brass

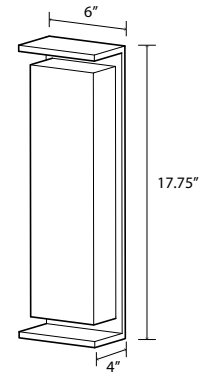


textured black



textured white

Ora sconce



Dimensions: 17.75" x 6" x 4"
 Product weight: 5 lb (wood), 8 lb (metal)
 Light source: integrated LED
 Light output: 1124 Lumens (source)
 Light color: 2700 K, 3000 K, or 3500 K
 Color accuracy: 90+ CRI
 Power usage: 15.2 W
 Wood grain will vary
 Specifications subject to change



Ora sconce part # 03-290- -

Body - Wood Construction

- walnut (CM-001)
- dark stained walnut (CM-002)
- white washed oak (CM-095)
- Body - Metal Construction
- textured black (CM-049)
- textured white (CM-060)
- brushed brass (CM-120)
- distressed brass (CM-117)
- brushed aluminum (CM-119)

W
D
O

B
Y
R
P
A

Lamping

- 2700 K LED
- 3000 K LED
- 3500 K LED

27
30
35

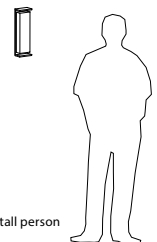
Driver

100-305 V AC input voltage
 TRIAC, ELV & 0-10 V dimming

P1

Includes:

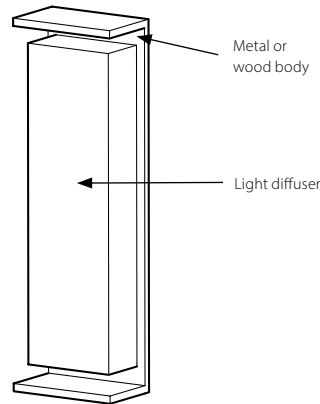
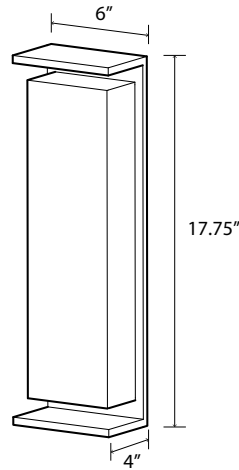
frosted polymer (CM-129)



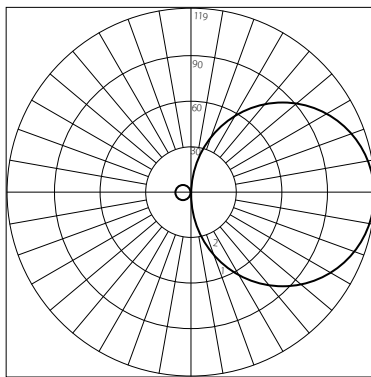
6' tall person

The Ora's sturdy design prioritized sleekness and structural integrity. This sconce is efficient and delivers ample usable light. A minimalist aesthetic makes it adaptable and suitable for different genres of designed environments. By simply selecting a natural hardwood or metal finish, a designer can completely change the feel of a room.

⚠ WARNING. California Proposition 65 Warning for California Consumers. This product can expose you to chemicals including wood dust and lead which are known to the State of California to cause cancer or birth defects or other reproductive harm. For more information go to www.P65Warnings.ca.gov



PHOTOMETRIC POLAR GRAPH



Maximum Candela = 119.48

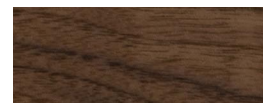
Located at:
Horizontal Angle = 0,
Vertical Angle = 80

Output specifications shown for 2700K CCT and walnut finish for vertical plane through 0-180 degree horizontal angles. Other CCTs and material finishes may cause output specifications to vary.

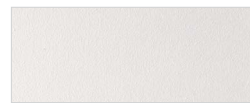
FINISHES



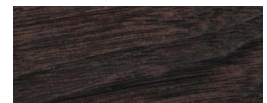
textured black powder coat (CM-049)



walnut (CM-001)



textured white powder coat (CM-060)



dark stained walnut (CM-002)



brushed brass (CM-120)



white washed oak (CM-095)



distressed brass (CM-117)



brushed aluminum (CM-119)

TECHNICAL SPECIFICATIONS

Light source: integrated LED

Light output: 1124 Lumens (source)

Light color: 2700 K, 3000 K, or 3500 K

Input voltage: 120-277 V AC

Color accuracy: 90+ CRI

Power usage: 15.2 W

Dimmability: TRIAC, ELV, or 0-10 V dimmable

Materials: solid wood, solid aluminum, polymer

Wood grain will vary

Specifications subject to change

