

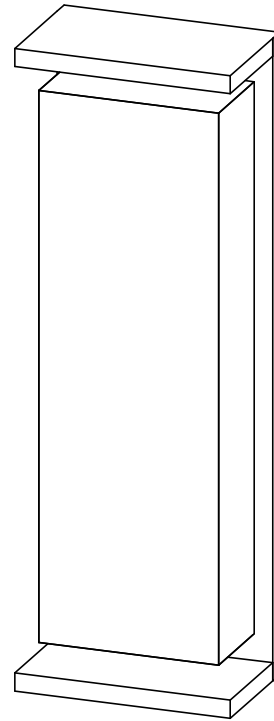
General Product Information

This product is suitable for indoor, dry locations only.

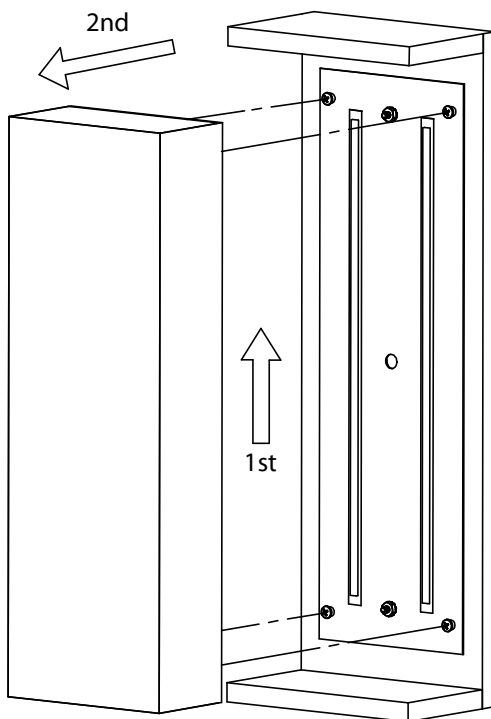
This product is to be installed to a standard 4" junction box with 3" round plaster ring or an octagon junction box.

CAUTION - RISK OF FIRE

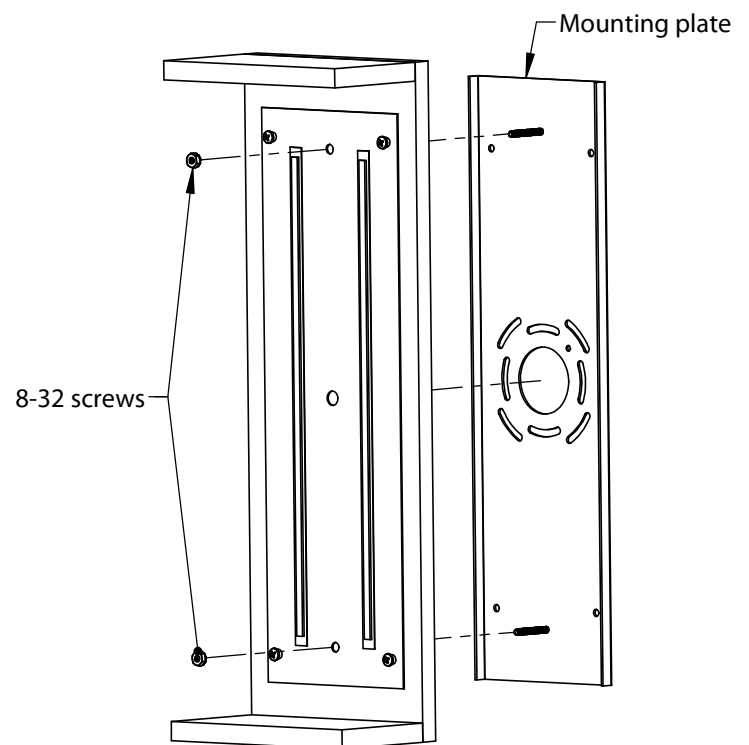
This product requires installation by a qualified electrician. Before installing be sure to read all instructions and **TURN POWER OFF TO THE JUNCTION BOX**



- ① Carefully remove the diffuser from the fixture by sliding the diffuser up and then pulling the diffuser off.



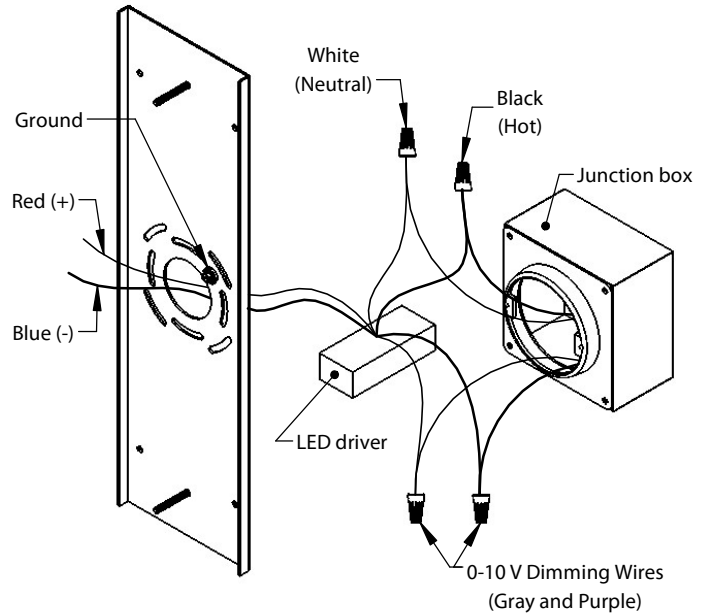
- ② Remove the two 8-32 nuts to allow access to the mounting plate on the back of the fixture.



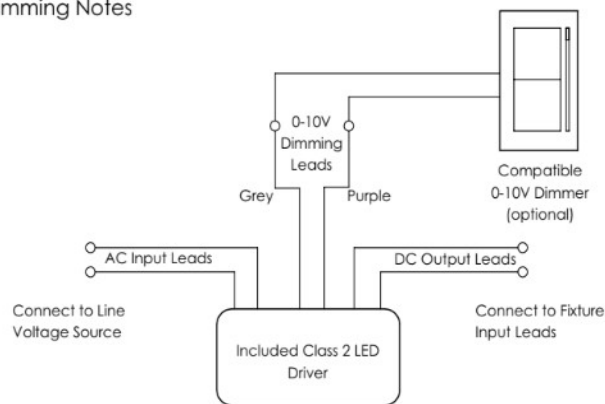
- ③ Use wire nuts to connect the driver input wires (black and white) to the line voltage wires. Attach a suitable ground wire to the green screw in the mounting plate.
- ④ (Optional) If 0-10 V dimming control is to be used, connect the purple and gray driver leads to the leads from the remote 0-10 V dimming.

CRITICAL NOTE:

If 0-10 V Dimming is NOT being used, the tinned ends of the purple and gray driver leads should be snipped off and these leads should be capped individually such that they remain isolated from one another.



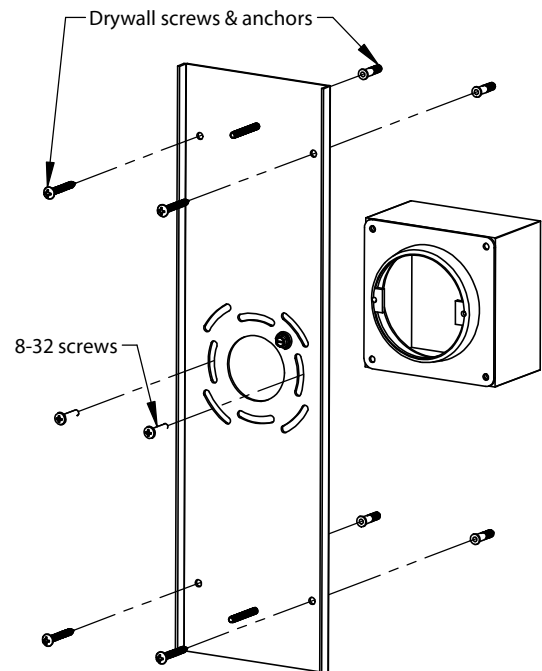
Dimming Notes



- ⑤ Place the driver, line voltage wire, and dimming wires inside the junction box.
- ⑥ Pull the driver output wires (red and blue) through the center hole of the mounting plate and secure the mounting plate to the junction box using the provided #8-32 X 3/4" screws.
- ⑦ Fasten the mounting plate to the surface using screws. (OPTIONAL) Use the backplate as a template for the provided anchors.

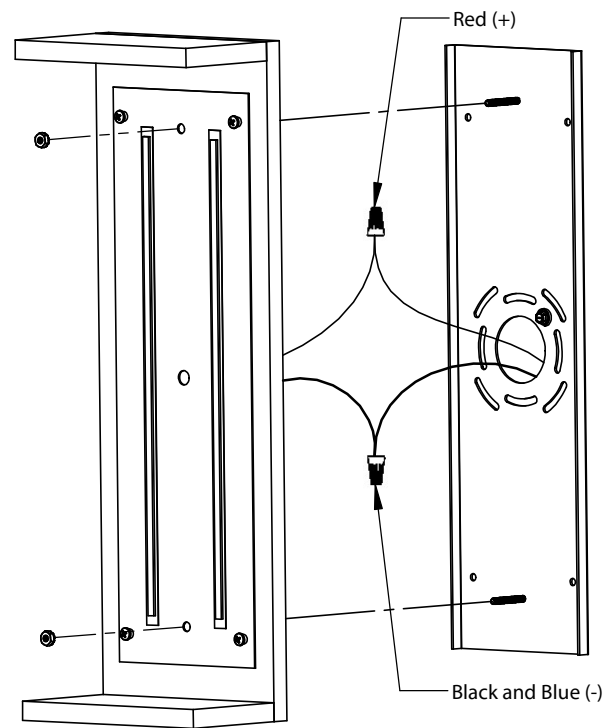
WARNING

The included anchors are supplied only as a convenience. It is the responsibility of the installer to verify that the installation conditions and hardware used are suitable for supporting the load of the fixture.



⑧ Use wire nuts to connect the blue and red driver wires to the black and red wires on the fixture, then place the wires in the junction box.

⑨ Place the shade on the mounting plate via the threaded studs and use the nuts to secure the shade onto the mounting plate.



⑩ Carefully move the difuser towards the fixture and align the holes in the with the four screws on the shade, then slide the diffuser down to secure the diffuser on the fixture.

