



Motus Swing Arm Bracket accessory

Dimensions: 18.38" x 5" x 26.8"
 Materials: solid wood, metal
 Product weight: 3 lb
 Max suspension weight: 5 lb
 Swing arm length can be adjusted from 18" to 27"
 Max drop length from tip of extended arm to top of pendant: 36"
 Swing arm rotation has adjustable resistance in pivot hinge
 Wood grain will vary
 Specifications subject to change
 Patent pending



MATERIAL & FINISH OPTIONS

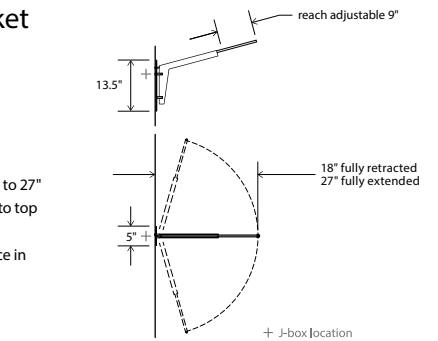
Motus Swing Arm Bracket part # 60-210-

Metal Finish

brushed aluminum (CM-006)
 textured black powdercoat (CM-049)

Wood Body

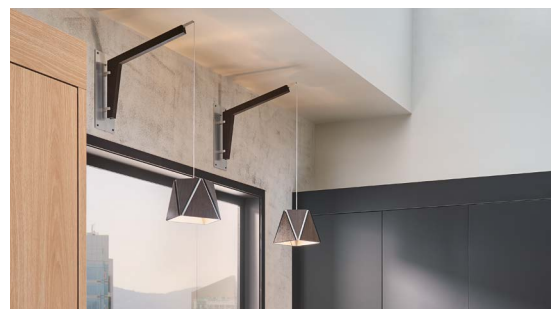
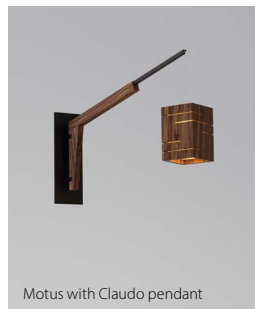
walnut (CM-001)
 dark stained walnut (CM-002)



HOW IT WORKS: BUILD YOUR OWN FIXTURE

Cerno created the Motus swing arm bracket as a solution to suspend several of our pendants off the wall rather than from the ceiling. To order this product, please select one of the pendants listed below that is compatible with the Motus and separately order the Motus.

The individual pendant product pages will have additional product specification information. PLEASE note that not all pendants can be suspended from the Motus. If the option/size you are interested in is not listed, please contact the factory to determine compatibility. Additional combination options include Casia 14, Casia 22, Amicus 12, Amicus 16, Veris 12, Astrum 11, Mica L, Levis L.



▲WARNING. California Proposition 65 Warning for California Consumers. This product can expose you to chemicals including wood dust and lead which are known to the State of California to cause cancer or birth defects or other reproductive harm. For more information go to www.P65Warnings.ca.gov