

### General Product Information



This product is suitable for damp locations.

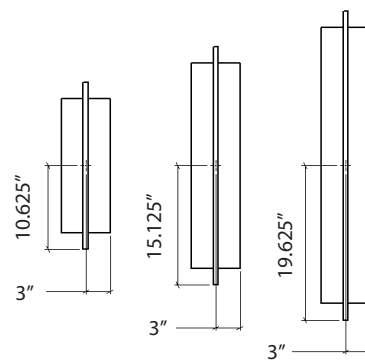
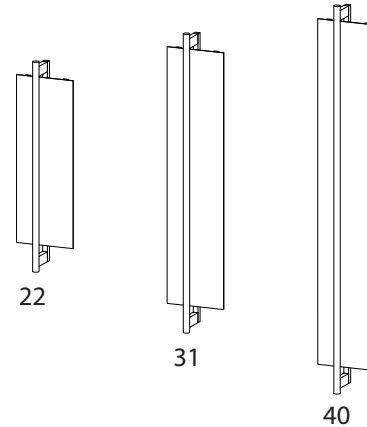
This product is to be installed to a standard 4" junction box with 3" round plaster ring or an octagon junction box.



### CAUTION - RISK OF FIRE



This product requires installation by a qualified electrician. Before installing be sure to read all instructions and **TURN POWER OFF TO THE JUNCTION BOX**



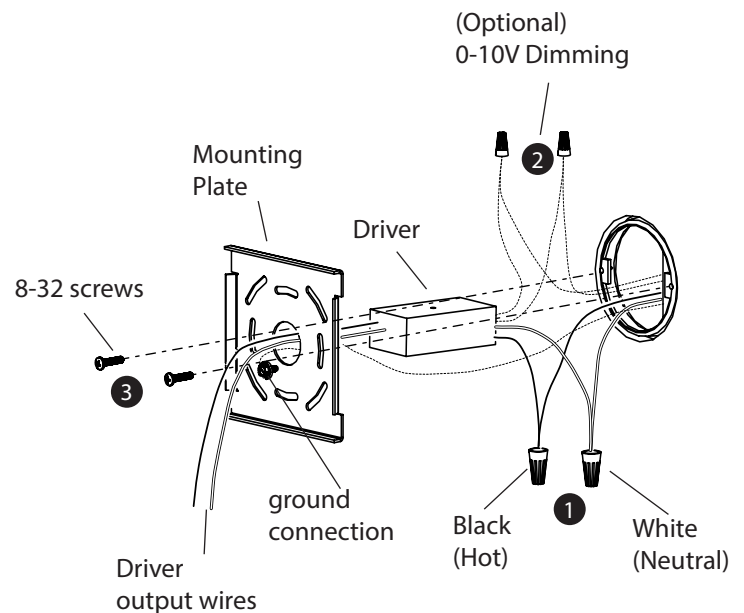
Center of Fixtures

### Mounting Plate and Electrical Connections

- 1 Pull the line voltage wires from the junction box. Use wire nuts to make connections between line voltage wires and the driver. Connect a ground wire to the green ground screw located on the mounting plate.
- 2 (Optional) If 0-10V dimming control is to be used, connect purple and grey LED Driver leads to leads from remote 0-10V dimmer.
- 3 Place the driver and the electrical connections inside the junction box. Pull out the driver output wires and feed them through the center hole of the mounting plate. Screw the mounting plate onto the junction box using the provided 8-32 machine screws.

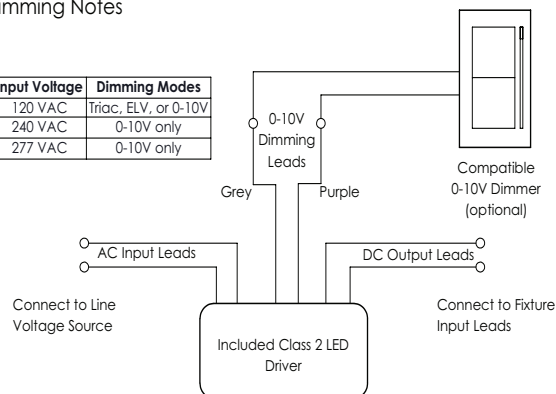
### CRITICAL NOTE:

If 0-10V dimming is not being used, the tinned ends of the purple and grey LED Driver leads should be snipped off and these leads should be capped individually such that they remain isolated from one another.



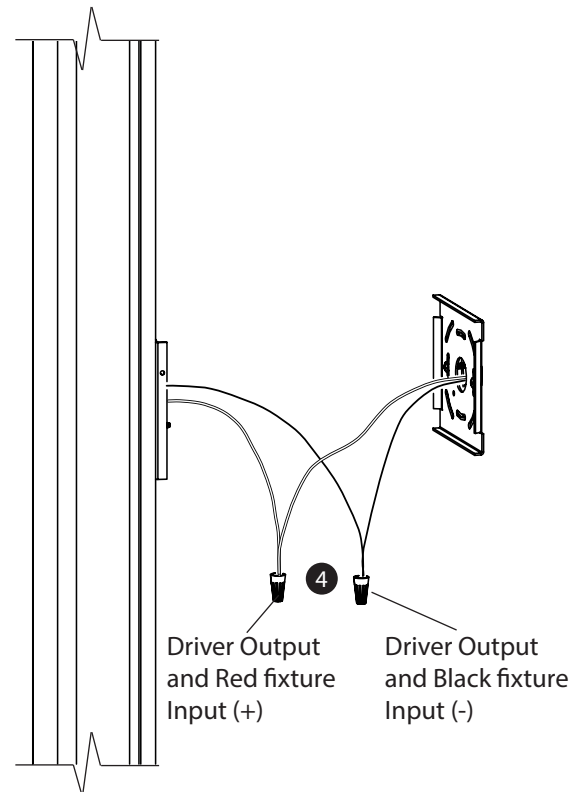
### Dimming Notes

Input Voltage	Dimming Modes
120 VAC	Triac, ELV, or 0-10V
240 VAC	0-10V only
277 VAC	0-10V only



## Electrical Connections Continued

- 4 Use wire nuts to make the connections from the driver output leads to the fixture input leads. Place connections and excess wire into the junction box.



## Mounting the Fixture

- 5 Align the fixture with the mounting plate. Use the provided allen key to tighten both set screws located above and below the cover on the fixture. Ensure that no wires are pinched between the mounting plate and the fixture.

