

General Product information



This product is suitable for indoor dry locations only.

The product turns on automatically when the fixture is pulled away from the wall.

This product is not dimmable. Do not connect to a dimmed AC source.



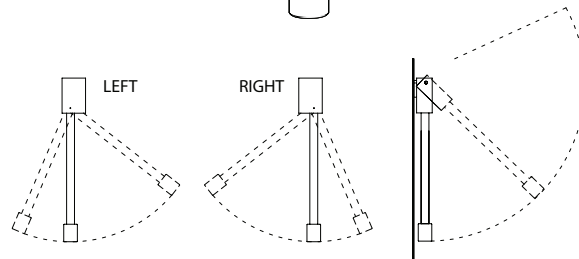
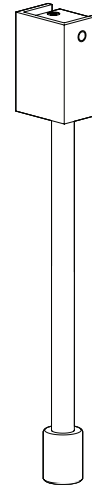
WARNING



This product requires the use of the supplied CONSTANT CURRENT led driver. **DO NOT CONNECT DIRECTLY TO LINE VOLTAGE OR USE ANY OTHER POWER SOURCE!!!**

PLEASE NOTE!

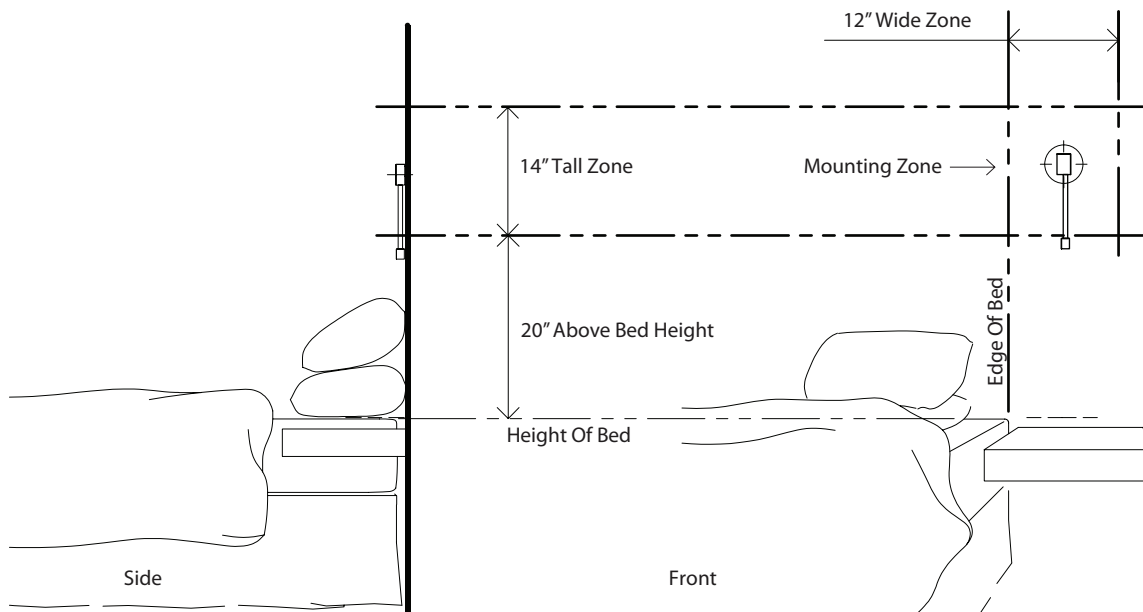
SEE MOUNTING INSTRUCTIONS (SEPARATE SHEET) IF YOU ORDERED A BACK PLATE WITH LIBRI FIXTURE.

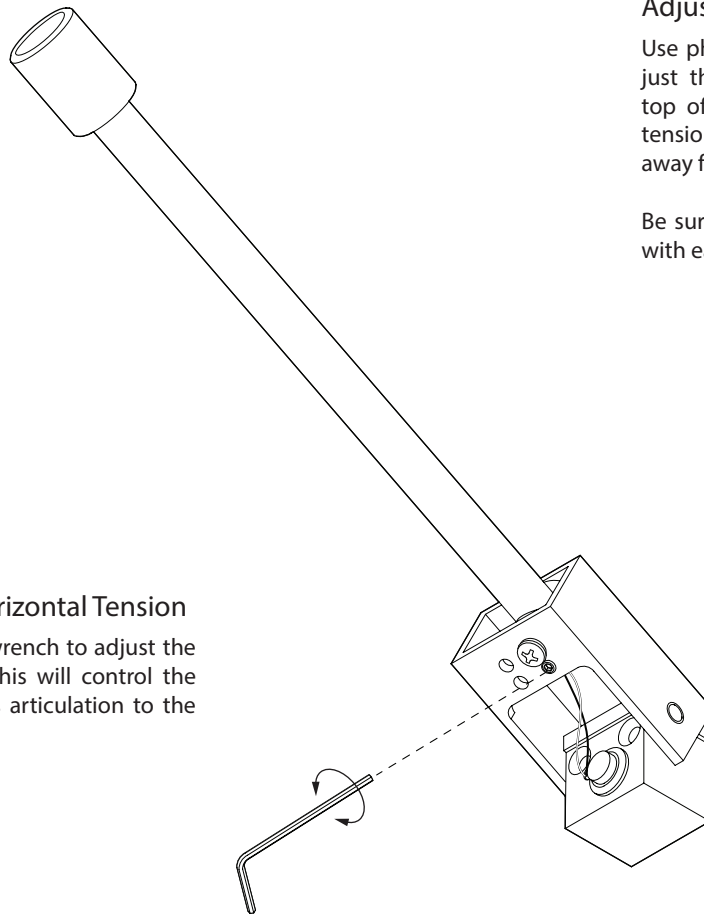


See page 2 for reconfiguration of Libri from Left to Right or vice versa.

Positioning the Fixture

For mounting the libri as a bedside reading fixture, there is an optimal zone within which to mount the fixture. The exact position within this zone will depend on personal preference. If you enjoy sitting upright to read, you will want to mount it high and away from the edge of the bed. If you don't have long arms and want to control the light while laying down, you will want to mount the fixture lower and closer towards the bed.





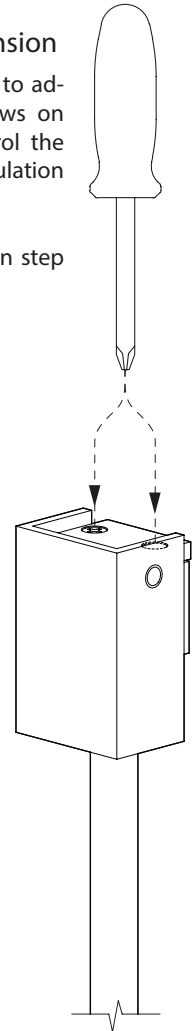
Adjusting the Horizontal Tension

Use provided allen wrench to adjust the tensioning screw. This will control the tension on the arm's articulation to the left and the right.

Adjusting the Vertical Tension

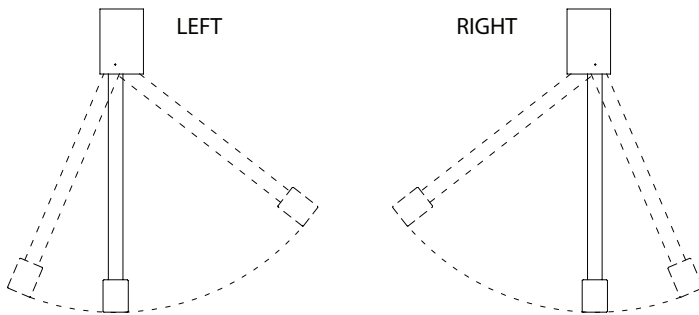
Use phillips head screwdriver to adjust the two tensioning screws on top of fixture. This will control the tension on the arm's articulation away from the wall.

Be sure to adjust the screws in step with each other.

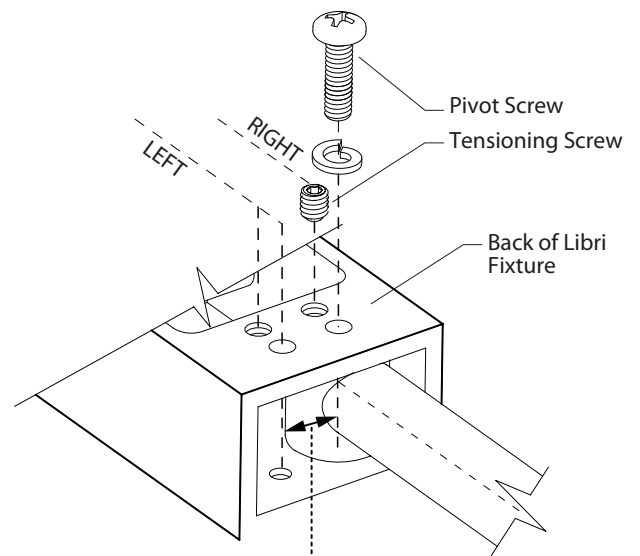


Changing the Fixture Orientation

The Libri is ordered in either a left or right version. However the orientation of the Libri can be switched if needed.



Left and right articulation depicted in above graphic.

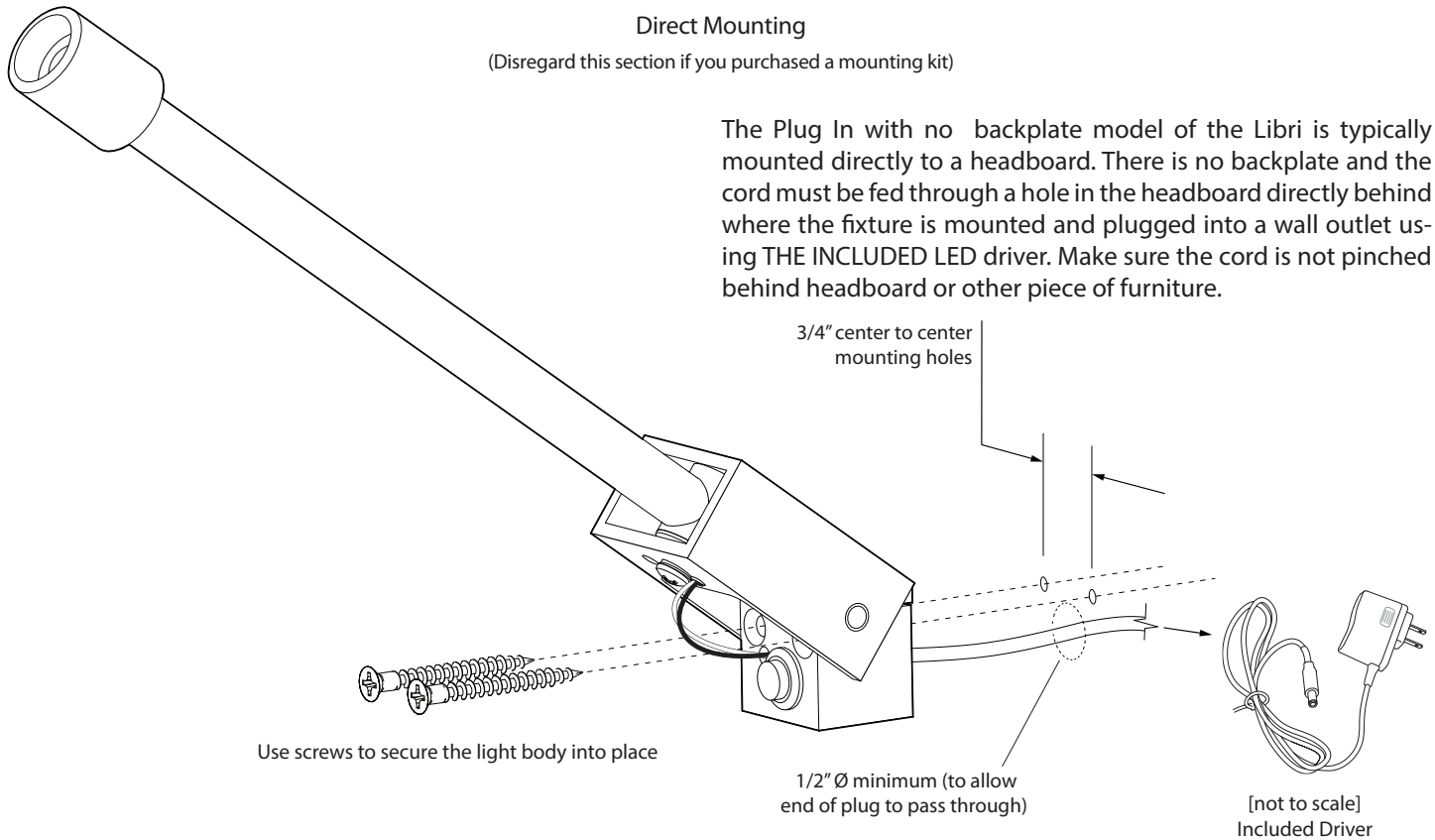


To change the orientation, remove the pivot screw and the tensioning screw. Slide the arm and washer over to the other side and line up the holes. Screw in the pivot screw to secure the arm. Taking care not to pinch the wires running through the arm. Tighten the tensioning screw to the desired tension.

Direct Mounting

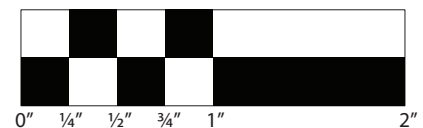
(Disregard this section if you purchased a mounting kit)

The Plug In with no backplate model of the Libri is typically mounted directly to a headboard. There is no backplate and the cord must be fed through a hole in the headboard directly behind where the fixture is mounted and plugged into a wall outlet using THE INCLUDED LED driver. Make sure the cord is not pinched behind headboard or other piece of furniture.



Drilling Pattern Template

Template to be printed out at 1:1 scale, check scale below.



100% Scale

Hole for the DC wire from fixture - 1/2" diameter.

Pilot hole locations for mounting - 3/4" apart.
-7/64" for softwood
-1/8" for hardwood

