

### General Product Information



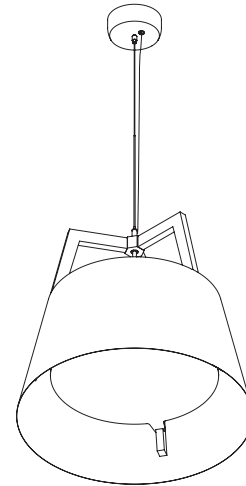
This product is suitable for indoor dry and damp locations only.



### CAUTION - RISK OF FIRE

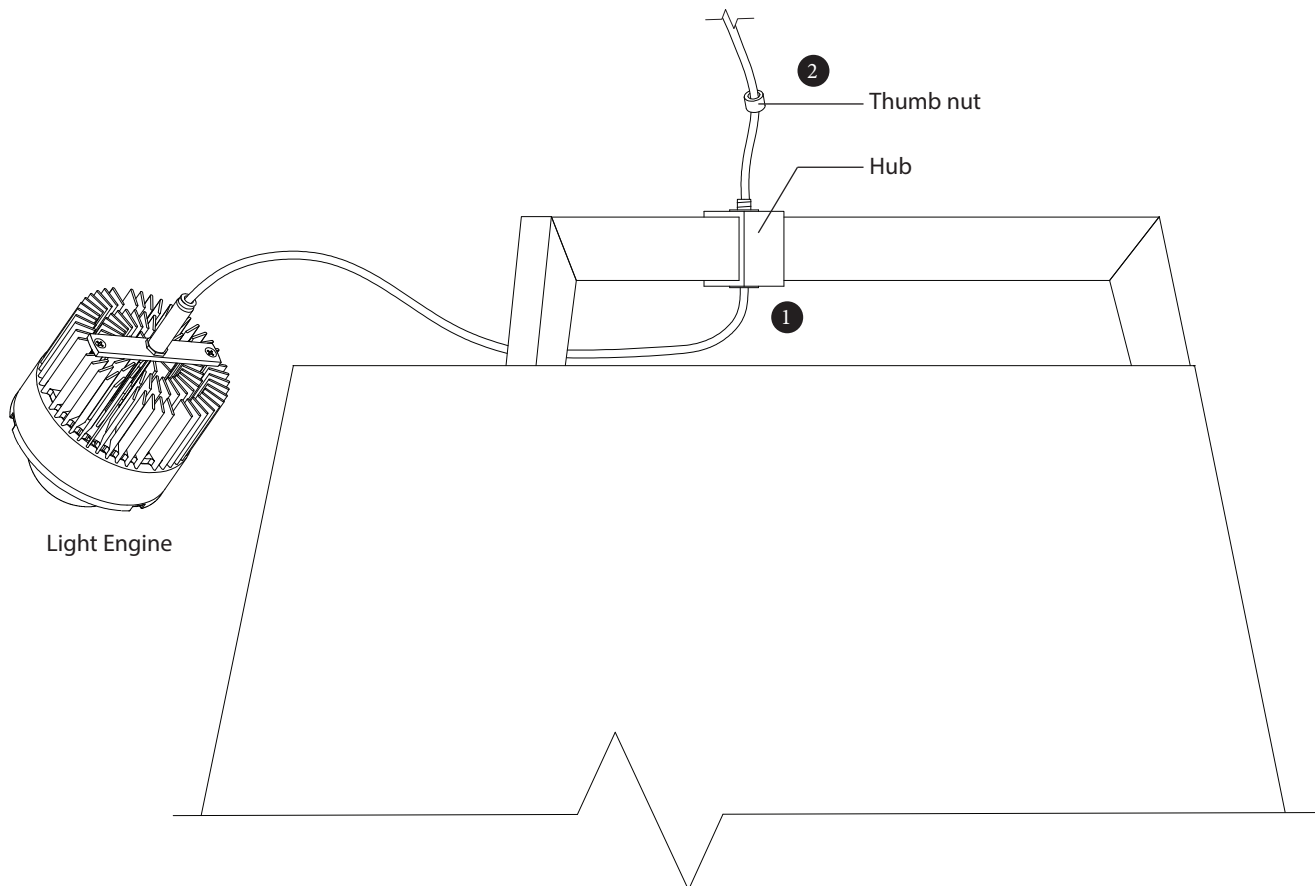


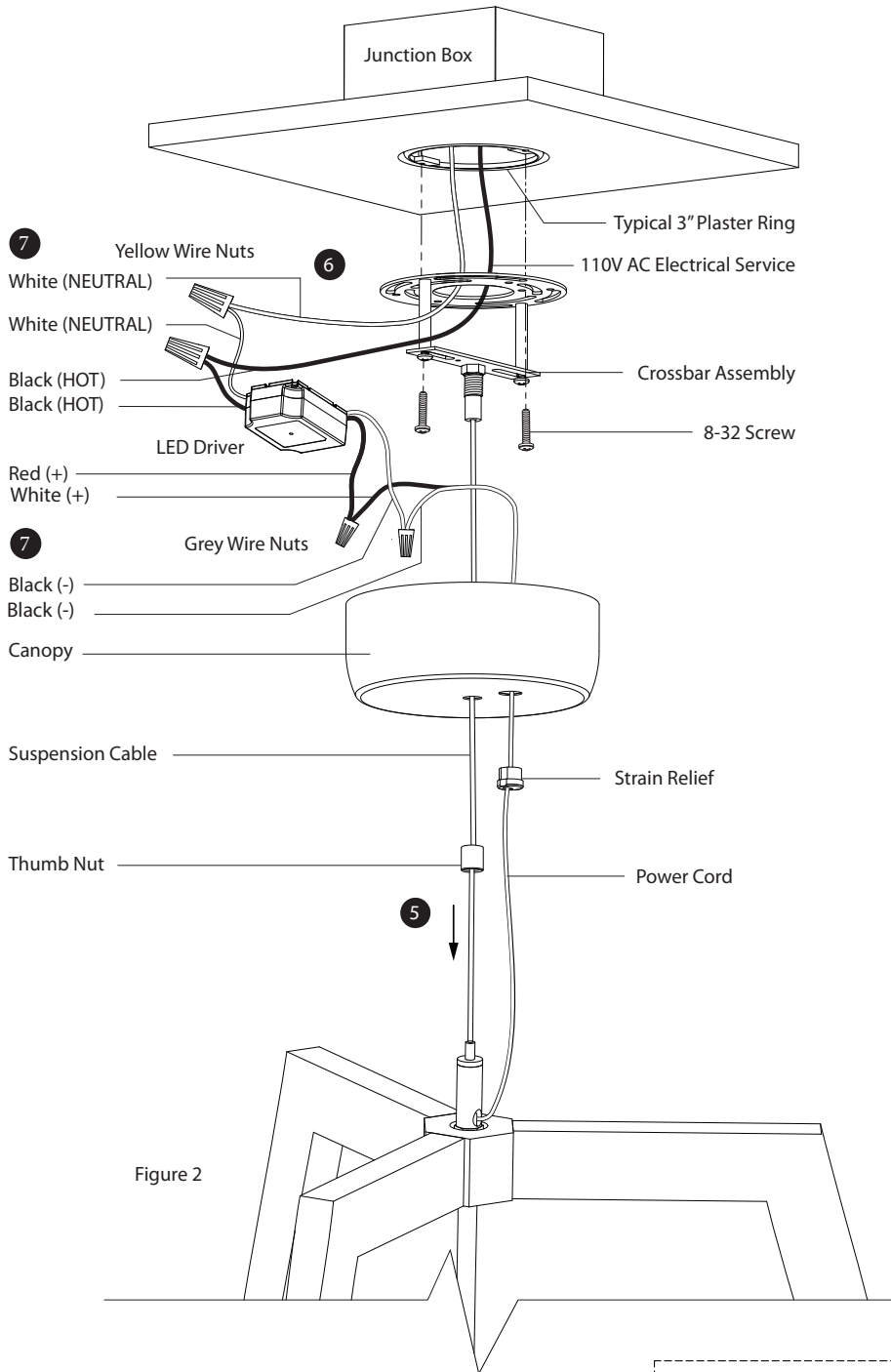
This product requires installation by a qualified electrician. Before installing be sure to read all instructions and **TURN POWER OFF TO THE JUNCTION BOX**



### Attaching Light Engine to Shade

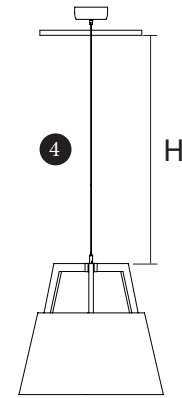
- 1 Thread the light engine wire through the center hub of the shade.
- 2 Thread the light engine wire through the thumb nut.
- 3 Screw the light engine top into the hub of the shade until tight. Tighten the cap nut on the top of the center hub.





### Adjusting the Fixture Height

- 4 Measure the desired height (H) that you want the fixture to hang below the ceiling.
- 5 Thread the suspension cable through the canopy and thumb nut.
- 6 Push the end of this cable into the cable gripper on the top of the fixture, making sure that it exits out of the side hole. Feed the cable through until the cable length matches your desired height (H). Cut excess cable only after you are satisfied with the fixture height.



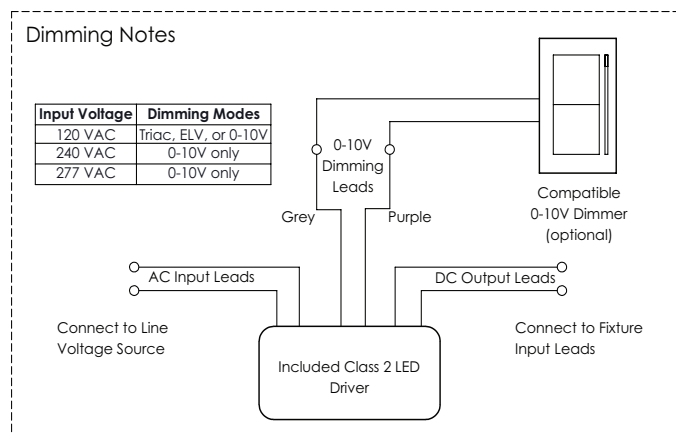
### Making Electrical Connections

- 7 Make electrical connections as shown in figure 2 using the supplied wire nuts.

**CRITICAL NOTE:** If 0-10V dimming control is to be used, connect purple and gray driver leads to 0-10V dimmer. Otherwise, the tinned ends of the leads should be snipped off and the leads should be capped individually such that they remain isolated from one another.

### WARNING

THE LED DRIVER IS A DC DEVICE AND MUST BE ATTACHED TO THE LED LIGHT ENGINE AS SHOWN. CONNECTING THIS DEVICE INCORRECTLY WILL CAUSE SEVERE DAMAGE.



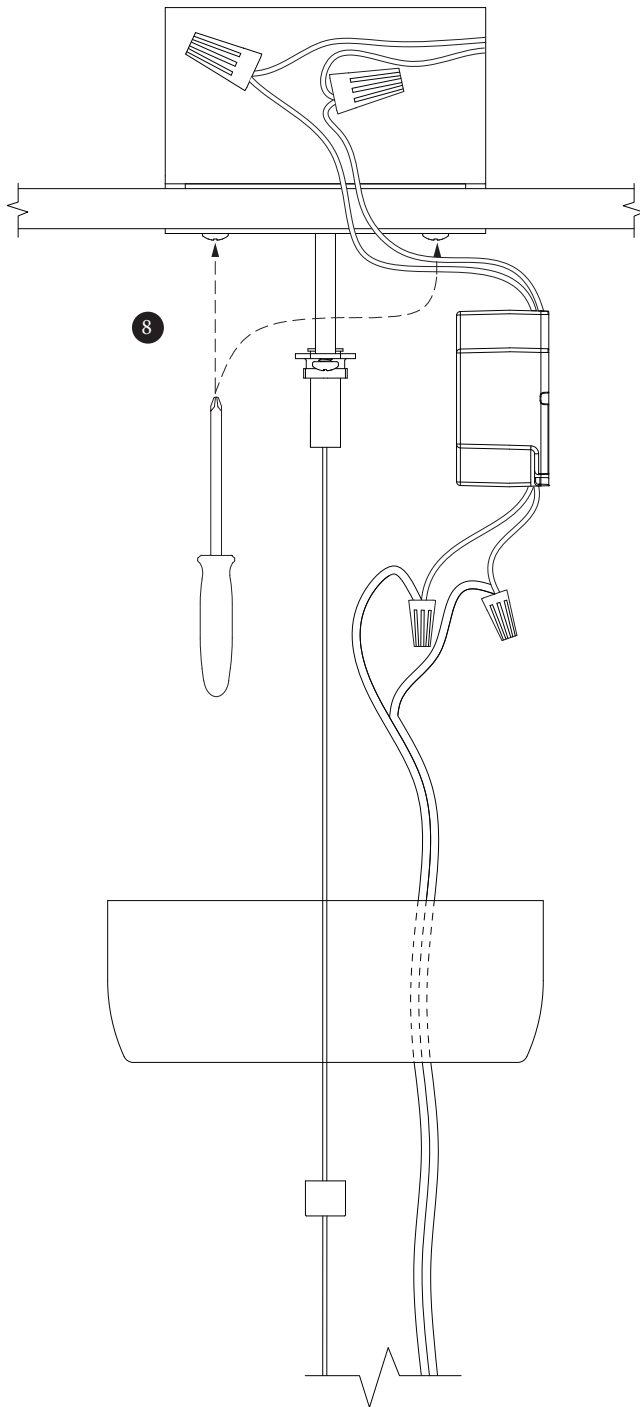


Figure 3

## Mounting the Fixture

- 8 Attach the crossbar to the junction box using the supplied 8-32 screws.

## Securing the Canopy

- 9 After electrical connections have been made, place line voltage connections and excess wire inside of the junction box.
- 10 Slide the canopy up the cable and secure it by screwing the thumb nut into the crossbar. The driver can sit loosely inside of the Canopy beside the Crossbar.
- 11 Feed excess clear power cord into J-box. Pinch the black strain relief onto the cord with a set of pliers and press into the canopy hole.
- 12 Tie power cord to suspension cord using the supplied clear cable ties.

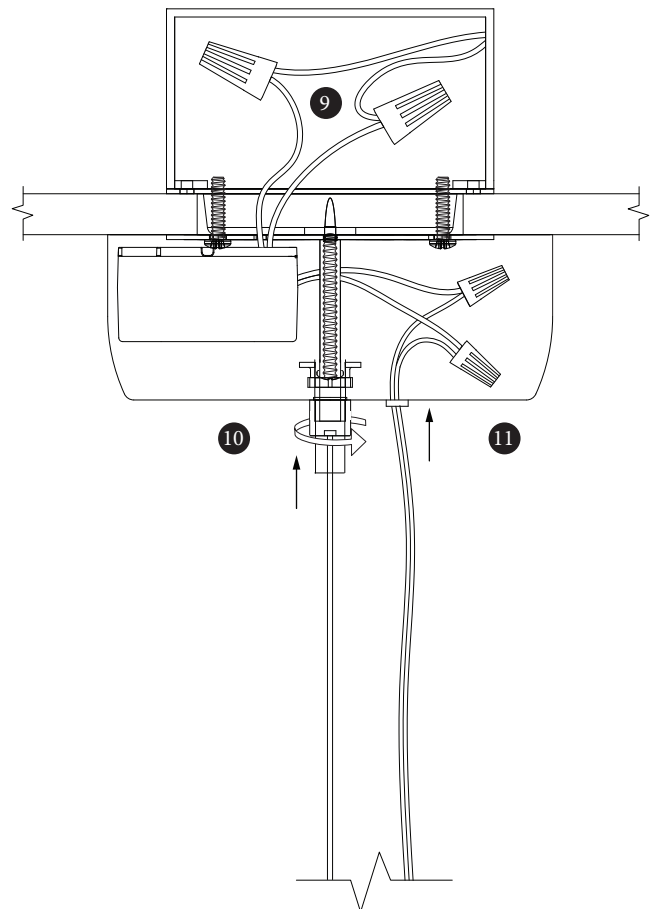


Figure 4