

# Imber / Ignis 17 (Corded, Socket)

Installation Instructions

cerno®

## General Product Information



This product is suitable for indoor dry and damp locations only.



### CAUTION - RISK OF FIRE



This product requires installation by a qualified electrician. Before installing be sure to read all instructions and **TURN POWER OFF TO THE JUNCTION BOX**

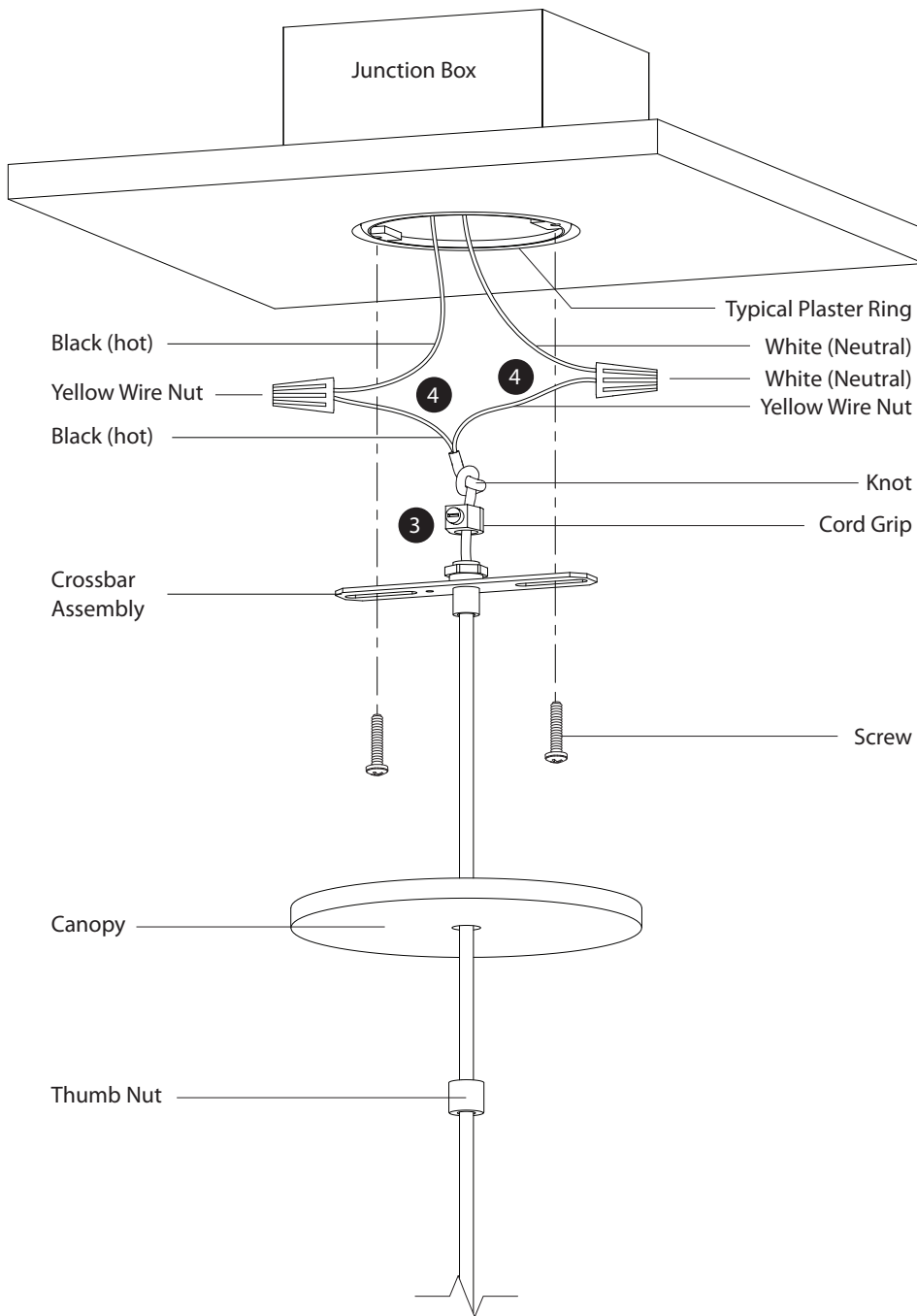
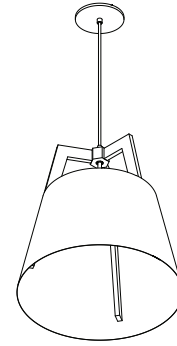


Figure 2

## Adjusting the Fixture Height

- 1 Measure the desired height (H) that you want the fixture to hang below the ceiling.
- 2 Thread the cable through the thumb nut, canopy, crossbar assembly and cord grip.
- 3 Tighten cord grip onto cable at desired height (H) using a small flathead screw driver. As an added safety measure, tie a knot in the cable above the cord grip.

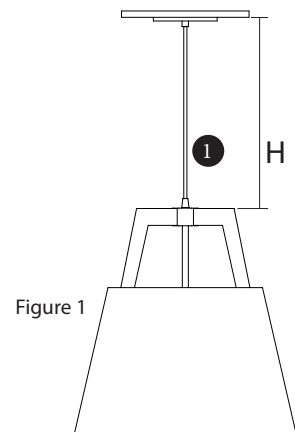


Figure 1

## Making Electrical Connections

- 4 Make electrical connections as shown in figure 2 using the supplied wire nuts.

### WARNING

THE LED DRIVER IS A DC DEVICE AND MUST BE ATTACHED TO THE LED LIGHT ENGINE AS SHOWN. CONNECTING THIS DEVICE INCORRECTLY WILL CAUSE SEVERE DAMAGE.

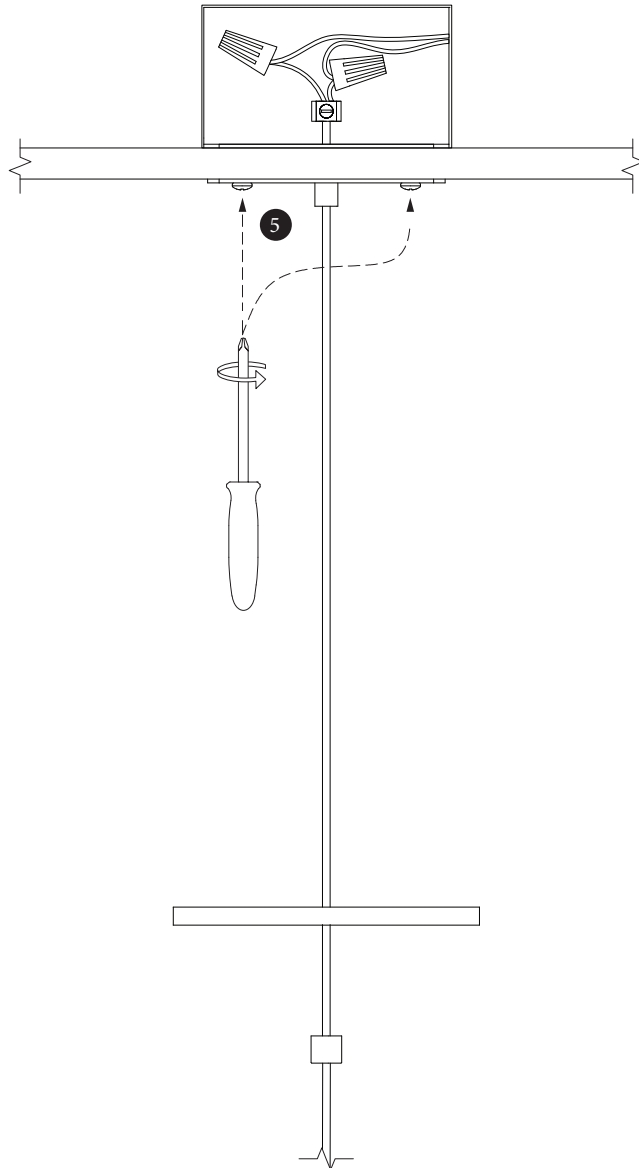


Figure 3

### Mounting the Fixture

- 5 Attach the crossbar assembly to the junction box using the supplied 8-32 screws.

### Securing the Canopy

- 6 After electrical connections have been made, place wire connections and excess wire into the junction box.
- 7 Slide the canopy up the cable and secure it by screwing the thumb nut onto the crossbar assembly.

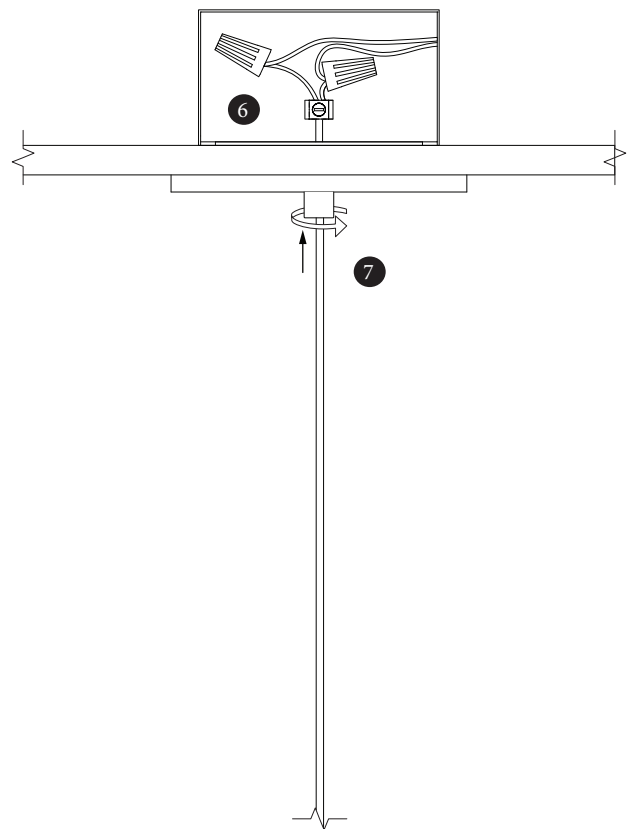


Figure 4