

# Imber / Ignis 17 (LED, Corded)

Installation Instructions

cerno®

## General Product Information



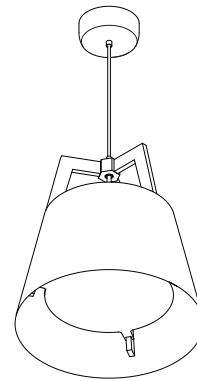
This product is suitable for indoor dry and damp locations only.



### CAUTION - RISK OF FIRE

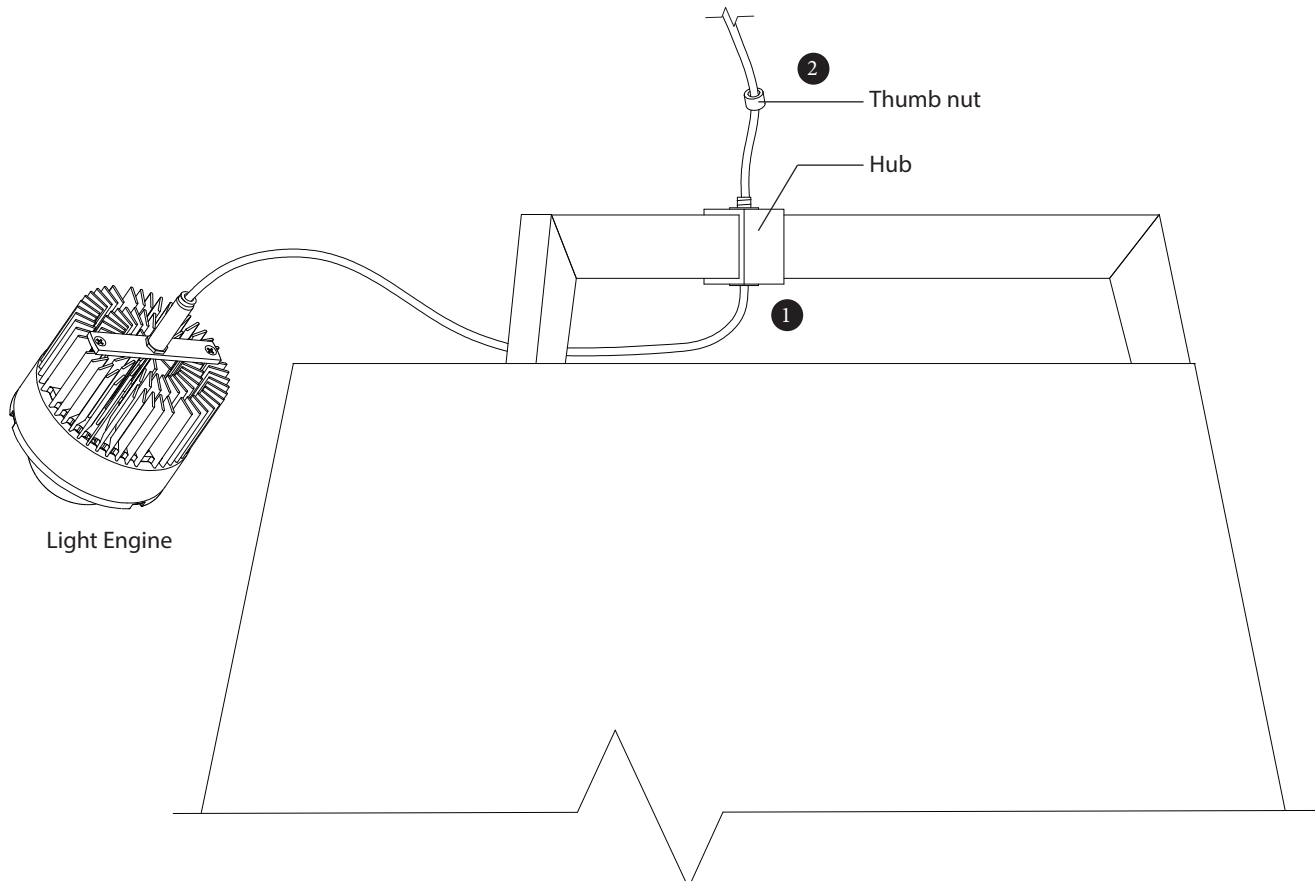


This product requires installation by a qualified electrician. Before installing be sure to read all instructions and **TURN POWER OFF TO THE JUNCTION BOX**



## Attaching Light Engine to Shade

- 1 Thread the light engine wire through the center hub of the shade.
- 2 Thread the light engine wire through the thumb nut.
- 3 Screw the light engine top into the hub of the shade until tight. Tighten the cap nut on the top of the center hub.



### Adjusting the Fixture Height

- 4 Measure the desired height (H) that you want the fixture to hang below the ceiling.
- 5 Thread the cable through the thumb nut, canopy, crossbar assembly and cord grip.
- 6 Tighten cord grip onto cable at desired height (H) using a small flathead screw driver. As an added safety measure, tie a knot in the cable above the cord grip.

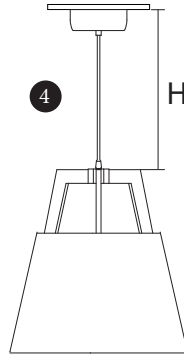


Figure 1

### Making Electrical Connections

- 7 Make electrical connections as shown in figure 2 using the supplied wire nuts.

**CRITICAL NOTE:** If 0-10V dimming control is to be used, connect purple and gray driver leads to 0-10V dimmer. Otherwise, the tinned ends of the leads should be snipped off and the leads should be capped individually such that they remain isolated from one another.

**WARNING**

THE LED DRIVER IS A DC DEVICE AND MUST BE ATTACHED TO THE LED LIGHT ENGINE AS SHOWN. CONNECTING THIS DEVICE INCORRECTLY WILL CAUSE SEVERE DAMAGE.

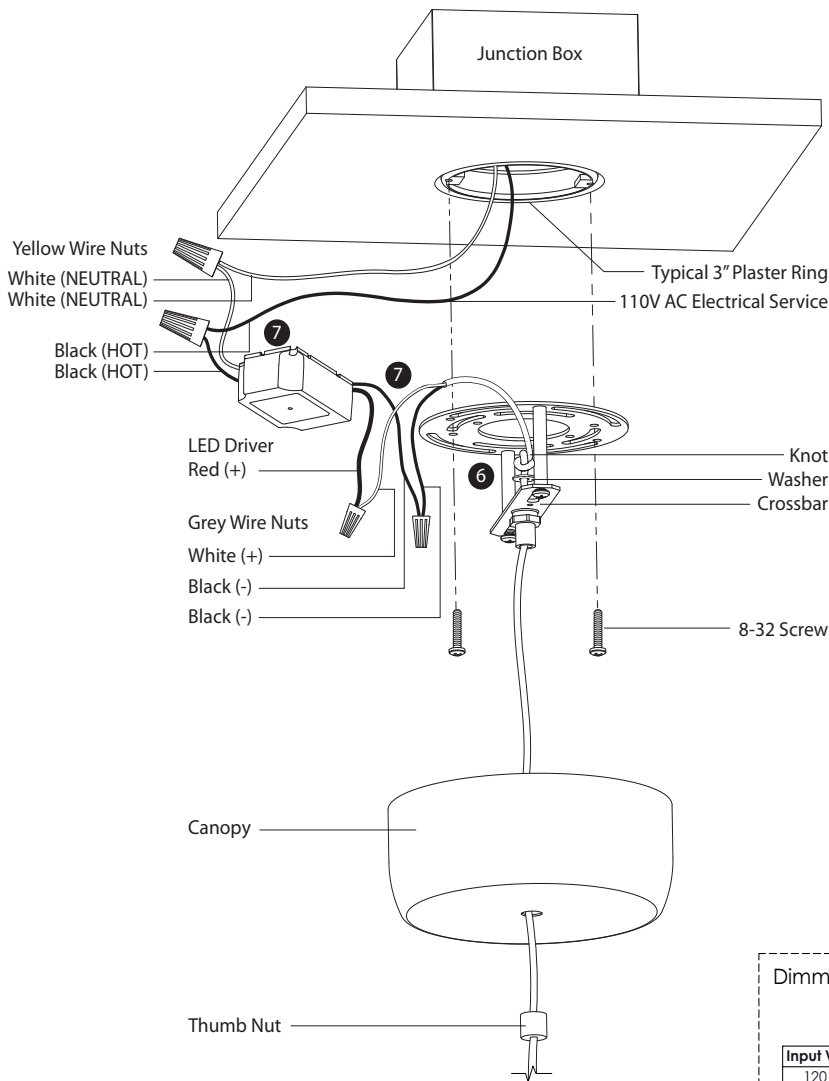
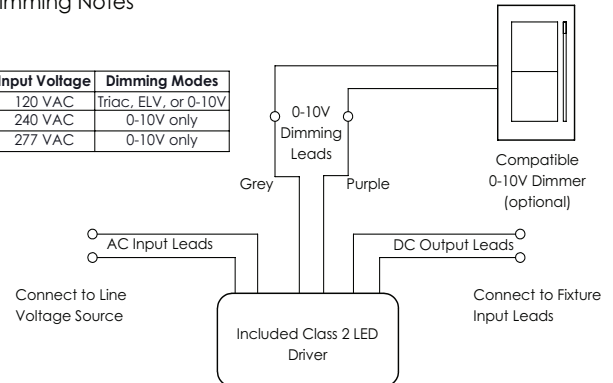


Figure 2

### Dimming Notes

Input Voltage	Dimming Modes
120 VAC	Triac, ELV, or 0-10V
240 VAC	0-10V only
277 VAC	0-10V only



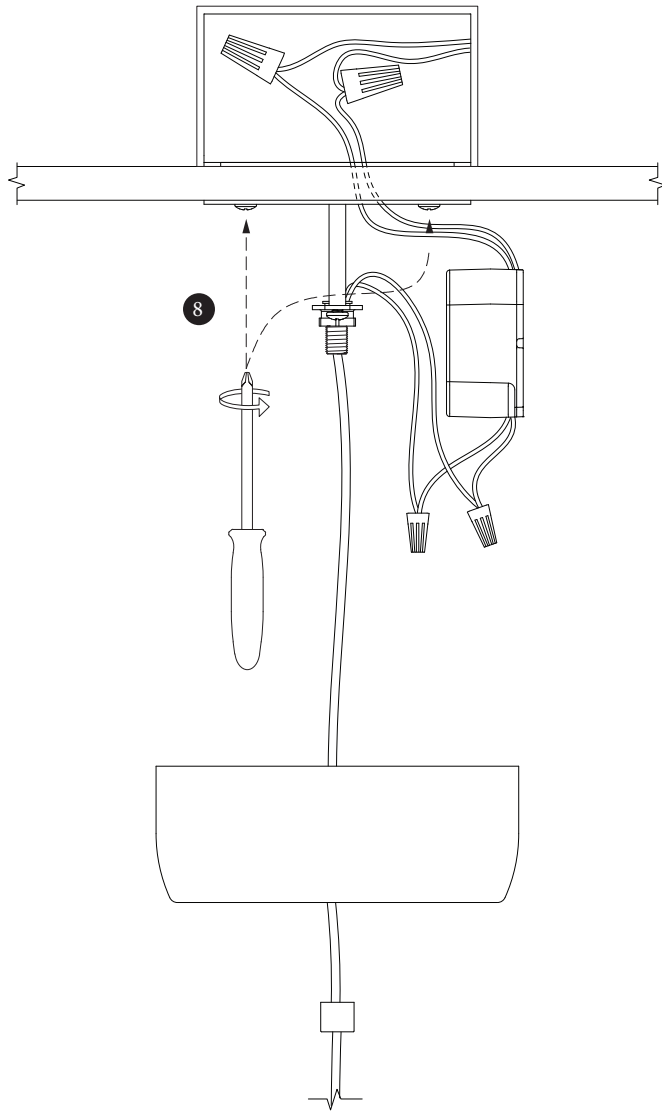


Figure 3

### Mounting the Fixture

- 8 Attach the crossbar to the junction box using the supplied screws.

### Securing the Canopy

- 9 After electrical connections have been made, place line voltage connections and excess wire inside of the junction box.
- 10 Slide the canopy up the cable and secure it by screwing the canopy fastener into the crossbar. The driver can sit loosely inside of the Canopy beside the Crossbar.

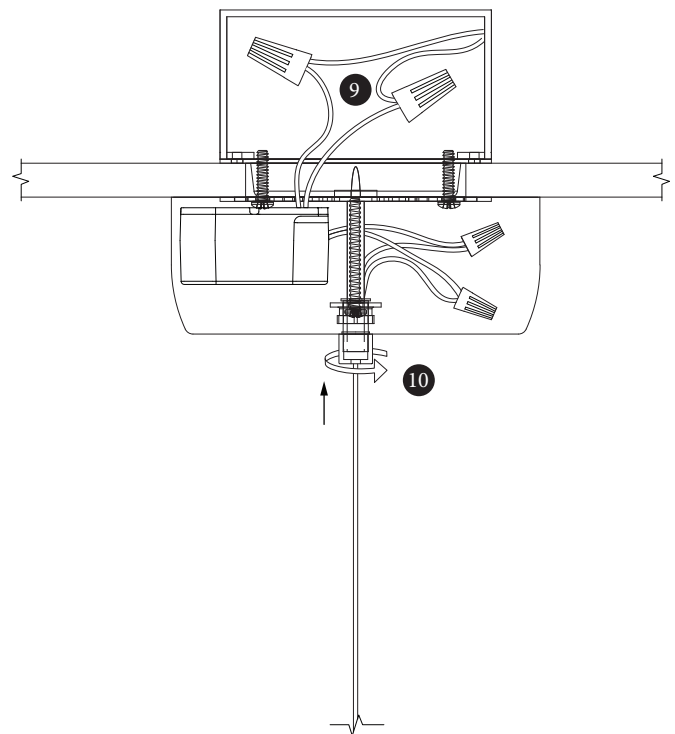


Figure 4