


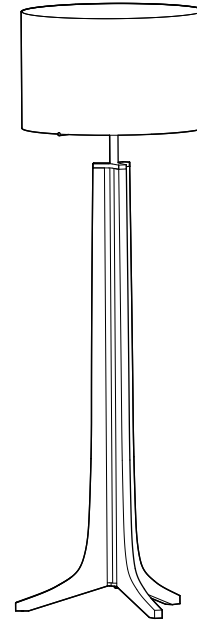
General Product Information 

This product is suitable for indoor dry locations only.
Do not plug in fixture until after assembly.

IMPORTANT SAFETY INSTRUCTIONS

This portable luminaire has a polarized plug (one blade is wider than the other) as a feature to reduce the risk of electric shock. This plug will fit in a polarized outlet only one way.

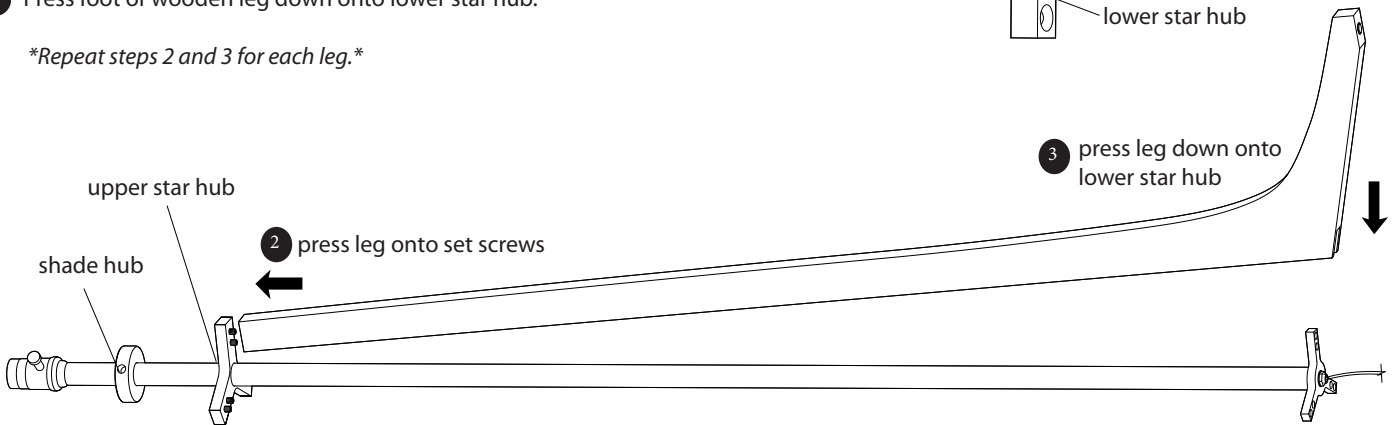
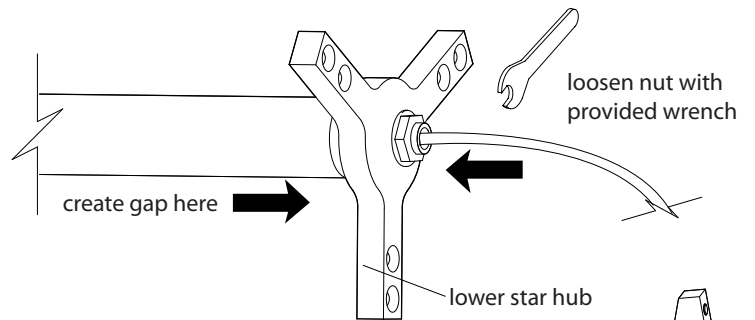
If the plug does not fit fully in the outlet, reverse the plug. If it still does not fit, contact a qualified electrician. Never use with an extension cord unless plug can be fully inserted. Do not alter the plug.



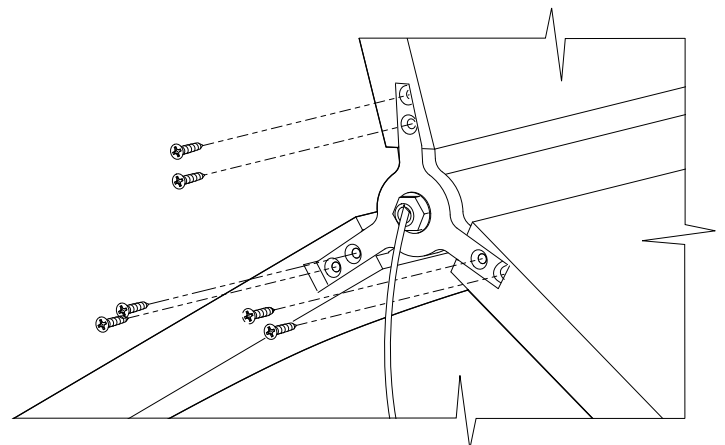
Attaching Legs

- 1 Lay body on flat surface. Use included wrench to loosen the bottom nut, creating a small gap between the nut, lower star hub, and tube.
- 2 Taking one wooden leg at a time, angle the top down and press set screws coming out of the upper star hub into top holes of wooden leg.
- 3 Press foot of wooden leg down onto lower star hub.

Repeat steps 2 and 3 for each leg.



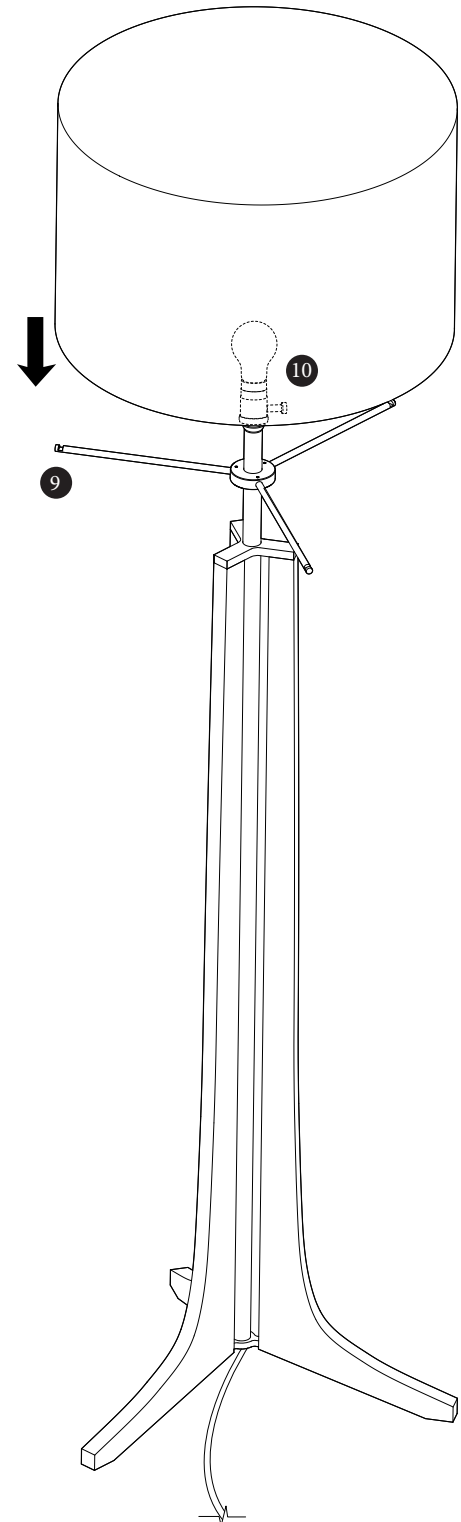
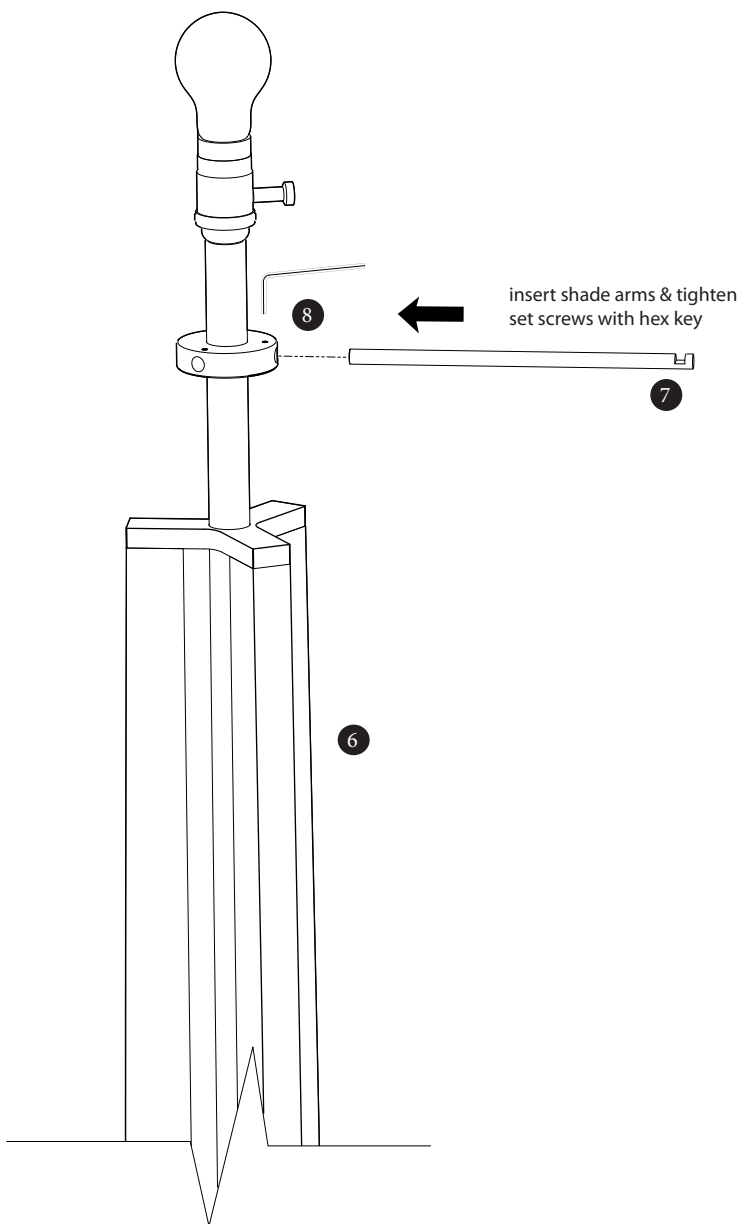
- 4 Use wrench to tighten the nut loosened in step 1. The top of all legs should be flush with upper star hub.
- 5 Use a Phillips head screwdriver to fasten the six provided screws into the bottom of the legs. Screws go through the lower star hub into pre-drilled holes of wooden legs.



Attaching Shade & Light Bulb

- 6 Now that all legs are securely fastened, you may stand floor lamp up properly on the ground and screw light bulb into socket.
- 7 Insert shade arms into circular hub. The groove in the arm should be facing up and outwards from shade hub.
- 8 There are three set screws fastened in the top of shade hub. Tighten these using provided hex key to hold shade support arms in place.

- 9 Attach shade by pressing into grooves of three shade support arms.
- 10 Plug in your new light, turn on and adjust using the dimmer switch on the socket, and enjoy!



Care, Maintenance instructions

Regularly maintaining your Cerno® product is easy and will help keep it looking beautiful. Scratches can be buffed out in minutes. Wood surfaces will be revitalized with minimal effort every few years. The LED light source is rated to last 50,000 hours, and should last the life of the product.

Your fixture includes materials listed below. Please use these tips to keep your product looking its best.

Oiled Walnut: Wood surfaces should be dusted and cleaned with a damp cloth. Every 1 - 3 years, re-oil and wax wood surfaces to maintain the rich wood sheen. Remember to wipe with the wood grain, and remove any excess oil or wax when finished.

Brushed Aluminum: Everyday cleaning of metal surfaces can be done with a damp cloth. **Repair:** To remove scratches from brushed aluminum, use Scotch-Brite (Gray or Maroon) to buff the scratched area. In a pinch, you can use the rough side of your kitchen sponge.

Polymer: To clean polymer surfaces, use a damp cloth with soap and water or typical cleaners. Avoid heavy-duty cleaners (i.e. anything solvent-based), as they can damage the material. **Repair:** Scratches can be buffed out of polymer surfaces using 200 - 300 grit sandpaper.

Cerno's mission since the company's inception has been to fuse quality, performance and resource efficiency with contemporary design.

Producing environmentally responsible products involves far more details than merely guaranteeing your products energy efficient performance and maintaining eco conscious manufacturing practices. We live in a consumer age characterized by excess and waste, where nearly everything we possess is viewed as disposable, from the cars we drive to the bottle of water you are drinking right now. At Cerno we aim to provide our customers an opportunity to purchase objects of value to enhance their built environment. We construct our products with integrity that will pass the test of time with the goal of evading a premature trip to the local landfill. All the products are assembled by human hands and endure rigorous testing to assure that our exceptionally high standards of quality are always satisfied.

Warranty

In addition to our two year product defect warranty, Cerno offers a repair service for the life of your product. Every Cerno product is designed and manufactured in the United States which facilitates excellent quality control and easy access to our engineers and service technicians. At Cerno we pride ourselves on delivering products executed with an unparalleled level of craftsmanship. For any reason should our customers have an issue with their orders upon delivery we will repair or replace the item.

In addition to our warranty and quality guarantees, Cerno welcomes customer feedback so please e-mail all comments to info@cernogroup.com