

Casia Pendant

Installation Instructions

cerno®

General Product information



This product is suitable for dry and damp locations.

This product is dimmable using most standard TRIAC or ELV dimmers.

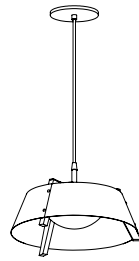
This product is to be installed to a standard 4" junction box with 3" round plaster ring or an octagon junction box.



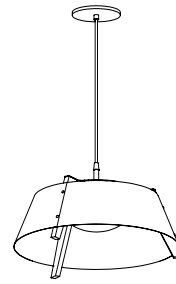
CAUTION - RISK OF FIRE



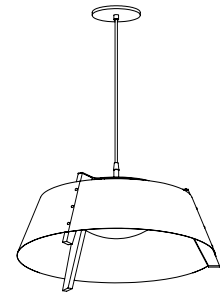
This product requires installation by a qualified electrician. Before installing be sure to read all instructions and **TURN POWER OFF TO THE JUNCTION BOX**



Casia 14



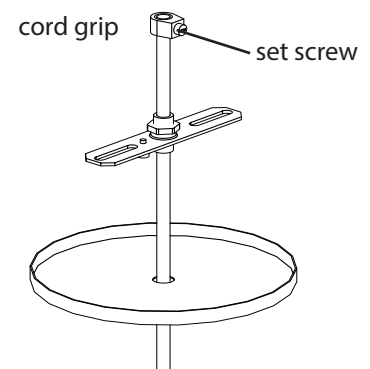
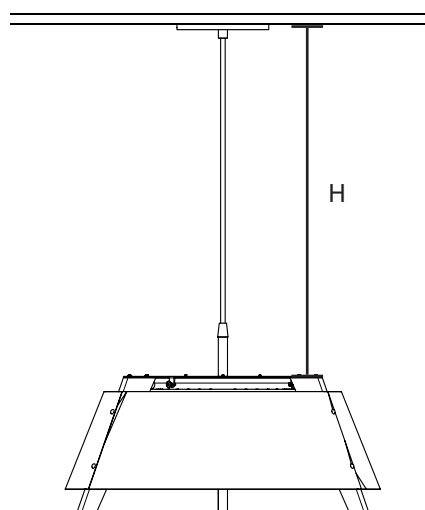
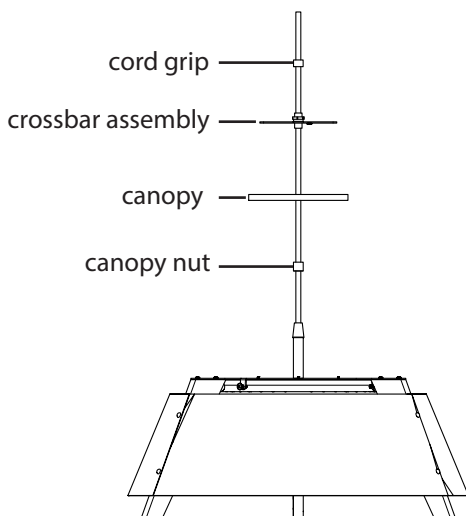
Casia 18



Casia 22

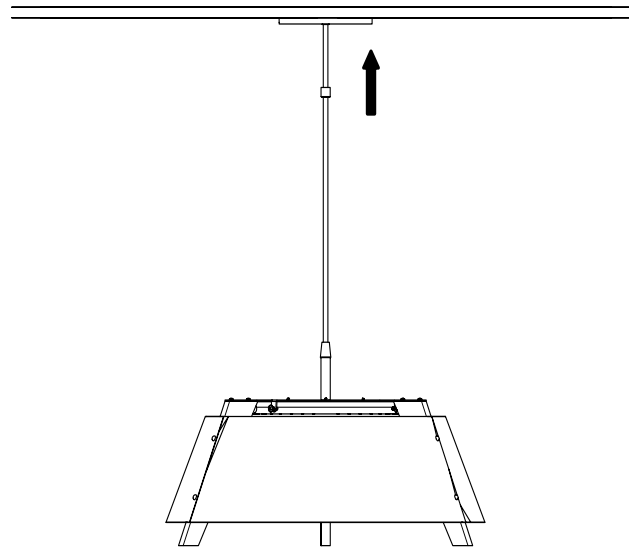
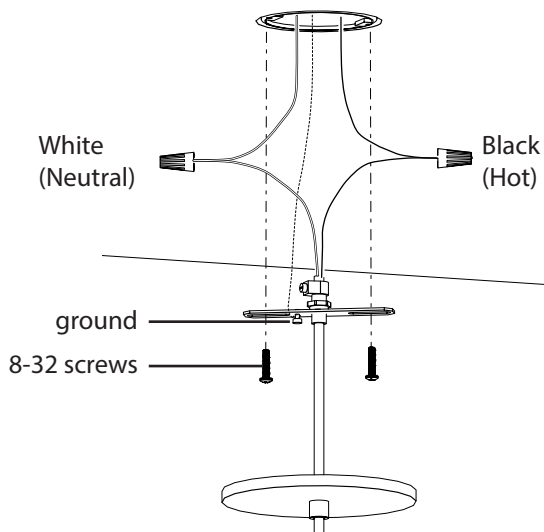
Adjusting the Fixture Height

- 1 Untighten the set screw on the cord grip. Feed the cord from the shade through the canopy nut, the canopy, the crossbar assembly, and the cord grip.
- 2 Measure the desired height (H) that you want the fixture to hang below the ceiling. Once you have reached your desired length, tighten the set screw on the cord grip.



Electrical Connections

- 3 Use the provided 8-32 machine screws to fasten the crossbar assembly onto the junction box. Connect a grounding wire to the green ground screw on the crossbar assembly.
- 4 Grab the fixture wires and the line voltage wires from the junction box and use wire nuts to make your electrical connections. After the electrical connections have been made place the wires into the junction box.
- 5 Raise the canopy towards the ceiling and insert the threaded stud on the crossbar assembly through the center hole of the canopy. Tighten the canopy nut onto the threaded stud to secure the canopy.



Securing Glass Dome

- 6 Raise the dome towards the fixture. Locate the three screws on the inner top portion of the fixture. Use a phillips screw driver to tighten the screws until the glass dome is secured onto the fixture. **CAUTION:** Over-tightening screws may result in damage to the glass shade.

