

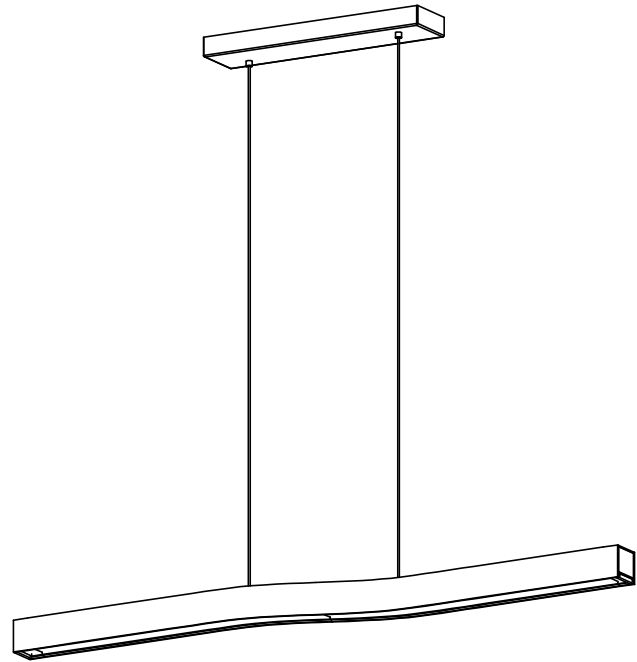
CAUTION - RISK OF FIRE

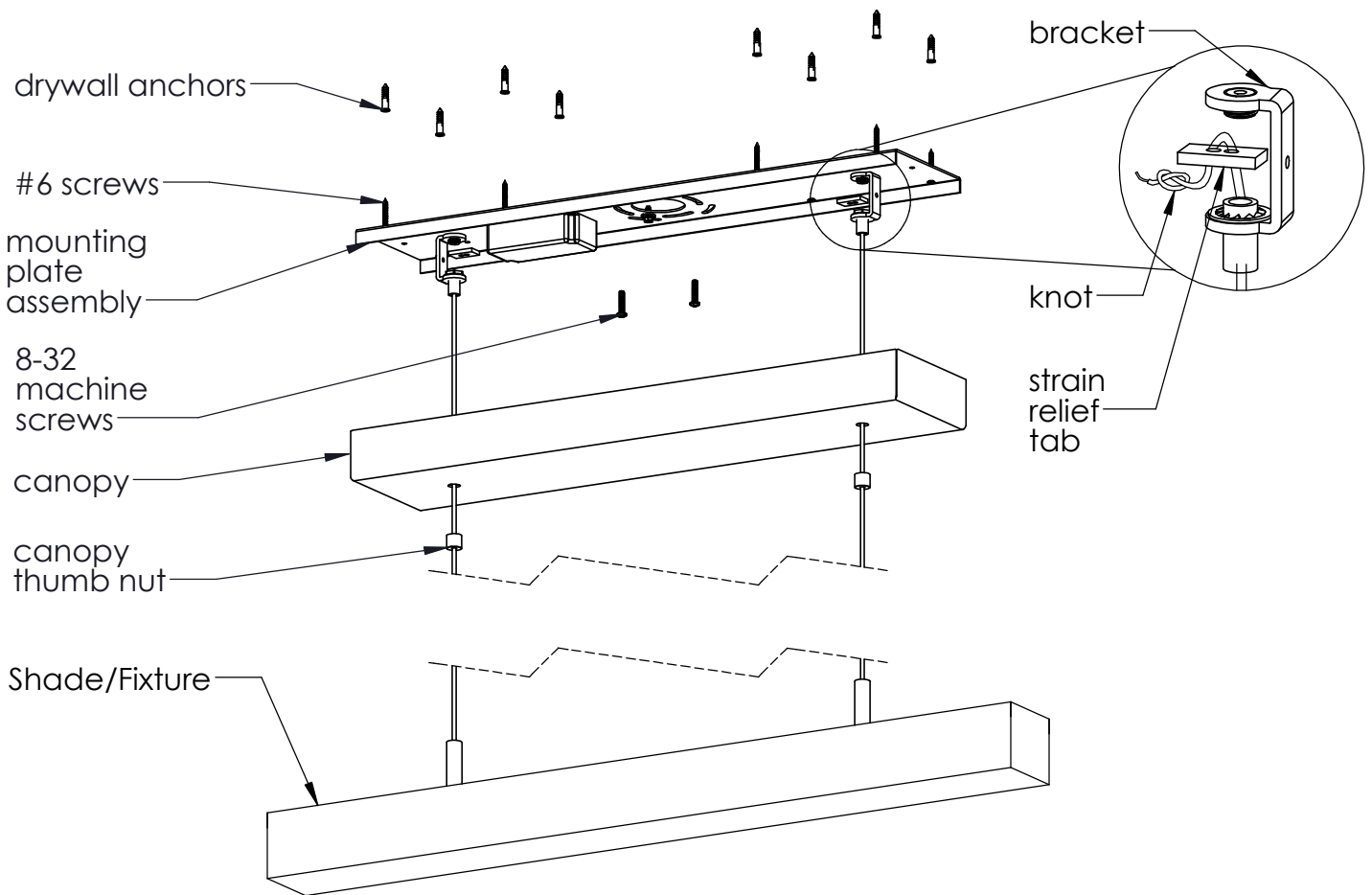
This product requires installation by a qualified electrician. Before installing be sure to read all instructions and TURN POWER OFF TO THE JUNCTION BOX

Junction Box Requirements: This fixture can be mounted to most standard junction boxes. It is the installer's responsibility to ensure that the site conditions, junction box, and fasteners used are suitable to support the weight of the fixture.

WARNING: Do not connect the fixture directly to line voltage or use any other power source! Doing so can cause irreversible damage the fixture and will void the warranty.

Disclaimer: Follow the labels on the wires and read the label on the driver to identify the wires. Wire colors can vary on different drivers.





- 1) Measure the desired height (H) that you want the fixture to hang below the ceiling.
- 2) Thread the cables through the canopy thumb nuts, canopy, and brackets on the mounting plate assembly.
- 3) Feed the fixture cables through both holes on the strain relief tab at the desired height (H). Tie a knot in the cable to secure it in place.
- 4) Secure the mounting plate to the junction box using the 8-32 machine screws.
- 5) Fasten the mounting plate to the ceiling using the provided screws.

CRITICAL NOTE: The included anchors are supplied only as a convenience. It is the installer's responsibility to verify that the installation conditions and hardware are suitable for mounting conditions.

- 6) Pull the line voltage wires through the center hole in the mounting plate. Use wire nuts to make connections between line voltages wires and the driver. Use the ground screw on the mounting plate to ground the fixture.
- 7) (OPTIONAL) If 0-10V dimming control is to be used, connect purple and grey LED driver leads to the leads from the remote 0-10V dimmer.

CRITICAL NOTE: If 0-10V dimming is not being used, the tinned ends of the purple and grey LED driver leads should be snipped off and capped individually such that they remain isolated from one another.

- 8) Raise the canopy upwards towards the mounting plate and use the canopy thumb nuts to secure the canopy onto the mounting plate assembly.

