

### General Product information



This product is suitable for indoor dry and damp locations only.

#### CAUTION - RISK OF FIRE

This product requires installation by a qualified electrician. Before installing be sure to read all instructions and **TURN POWER OFF TO THE JUNCTION BOX**

### Adjusting the Fixture Height

- 1 Measure the desired height (H) that you want the fixture to hang below the ceiling.
- 2 Adjust the length of the suspension cables to roughly the desired length by pushing them into the side-exit cable grippers. Final adjustments can be made after the fixture is mounted.

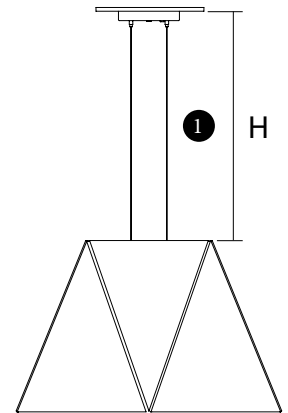
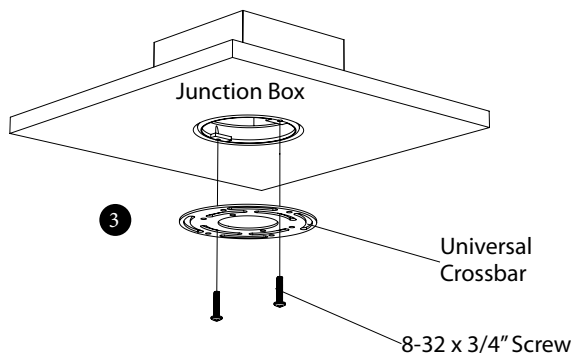
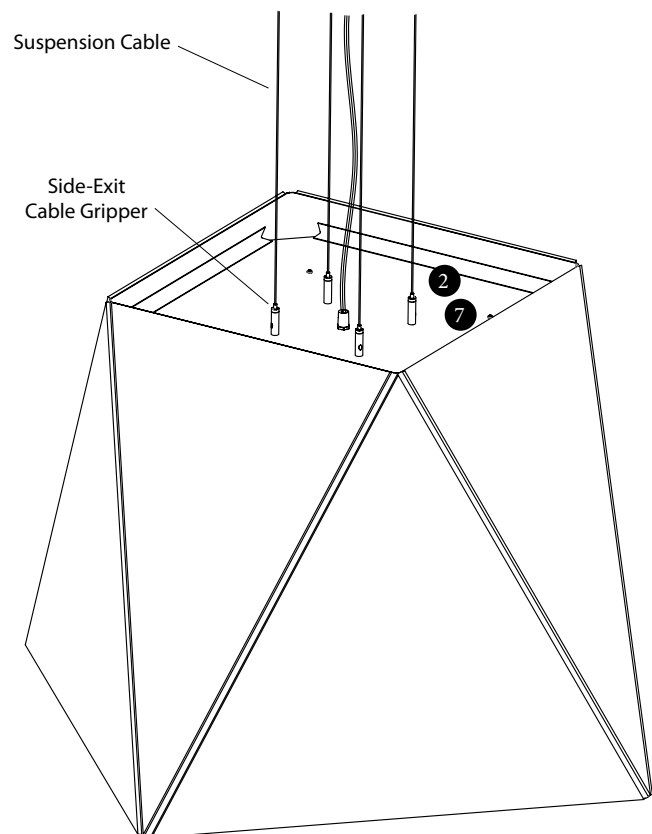
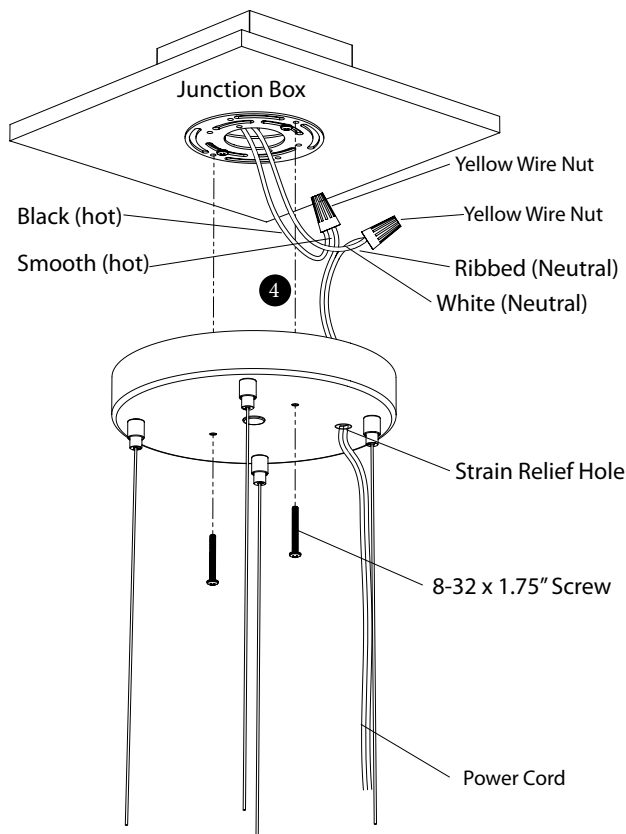


Figure 1



### Mounting the Fixture

- 3 Attach the universal crossbar to the junction box using the supplied 8-32 x 3/4" screws.
- 4 Pull line voltage wires through crossbar. Feed the clear power cord through the strain relief hole in the canopy and make connections between line voltage wires and power cord.



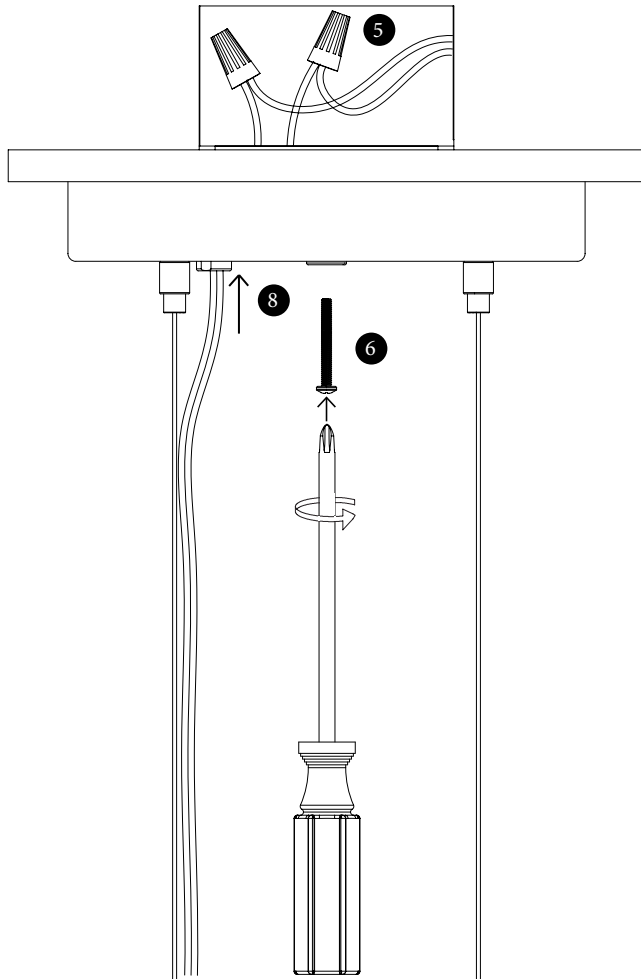


Figure 3

### Securing the Canopy

- 5 After electrical connections have been made, place wire connections and excess wire into the junction box.
- 6 Fasten the canopy to the universal crossbar using the included #8-32 x 1.75" screws.

### Leveling the Fixture

- 7 Level the fixture by making small adjustments to the length of each suspension cable. Pressing the small cylinder on top of the side-exit cable grippers will release the grip on the suspension cable.
- 8 Once the fixture is set at the correct height and is leveled, squeeze the black strain relief onto the clear power cord and press into the strain relief hole in the canopy. Once properly installed, the power cord should be held tightly and can not be pulled from the canopy.

### Installing the Bulbs

- 9 Once the fixture is suspended and leveled, install the GU-24 base bulbs (not included) into the four GU-24 sockets within the fixture.

### Care, maintenance instructions

Regularly maintaining your Cerno® product is easy and will help keep it looking beautiful. Scratches can be buffed out in minutes. Wood surfaces will be revitalized with minimal effort every few years. The LED light source is rated to last 50,000 hours, and should last the life of the product. Your pendant may include materials listed below. Please use these tips to keep your product looking its best.

**Wood Finishes:** Wood surfaces should be dusted and cleaned with a damp cloth.

**Metal Finishes:** Everyday cleaning of metal surfaces can be done with a damp cloth.

**Polymer:** To clean polymer surfaces, use a damp cloth with soap and water or typical cleaners. Avoid heavy-duty cleaners (i.e. anything solvent-based), as they can damage the material. **Repair:** Scratches can be buffed out of polymer surfaces using 200 - 300 grit sandpaper.

### **Cerno's mission since the company's inception has been to fuse quality, performance and resource efficiency with contemporary design.**

Producing environmentally responsible products involves far more details than merely guaranteeing your products energy efficient performance and maintaining eco conscious manufacturing practices. We live in a consumer age characterized by excess and waste, where nearly everything we possess is viewed as disposable, from the cars we drive to the bottle of water you are drinking right now.

At Cerno we aim to provide our customers an opportunity to purchase objects of value to enhance their built environment. We construct our products with integrity that will pass the test of time with the goal of evading a premature trip to the local landfill. All the products are assembled by human hands and endure rigorous testing to assure that our exceptionally high standards of quality are always satisfied.

### **Warranty**

In addition to our two year product defect warranty, Cerno offers a repair service for the life of your product. Every Cerno product is designed and manufactured in the United States which facilitates excellent quality control and easy access to our engineers and service technicians. At Cerno we pride ourselves on delivering products executed with an unparalleled level of craftsmanship. For any reason should our customers have an issue with their orders upon delivery we will repair or replace the item.

In addition to our warranty and quality guarantees, Cerno welcomes customer feedback so please e-mail all comments to [info@cernogroup.com](mailto:info@cernogroup.com)