



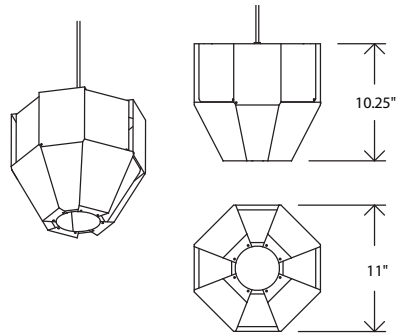
Astrum 11, distressed brass



Astrum 11, gloss white

Inspiration for the Astrum dates back to the first light fixture the three of us ever made after starting Cerno. The varying depths of the flat panels strategically obstruct a direct view of the light source. Light reflects off the inside of the outer panels and bounces off the inner panels producing a halo washing effect. The oculus at the bottom functions to emit a useful amount of downlighting. This design manages to pay homage to past modern designs while also feeling a bit futuristic.

Astrum 11 pendant



Dimensions: 11" x 11", 10.25"
Product weight: 2 lb
Suitable for a sloped ceiling

Integrated LED Specifications

Light output: 1690 Lumens (source)
Light color: 2700 K, 3000 K, 3500 K or 4000 K
Color accuracy: 90+ CRI
Power usage: 19.5 W
Dimmable (see driver below)
Driver must be housed in J-box
Driver dimensions: 3.3" x 1.6" x 1", included

E26 Medium Base Specifications

Lamping: E26 base, type A lamp, 60 W max
Input voltage: 250 V AC max
Bulb not included

Textured Black Powdercoat (CM-049) low profile round canopy with SVT-3 Cable, Black (CM-039)
Canopy dimensions: 5" Ø, 0.3"
See website for more canopy information
Field adjustable drop length: 0'6" min - 8'0" max
Specifications subject to change



MATERIAL & FINISH OPTIONS

Astrum 11 part # 06-270-11 -

Shade Material

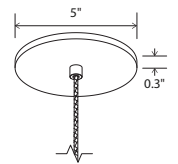
matte black (CM-085) with
matte white interior B
distressed brass (CM-096) D
gloss white (CM-054) W

Lamping

2700 K LED 27
3000 K LED 30
3500 K LED 35
4000 K LED 40
medium base E26 socket MB

Driver (LED version only)

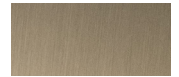
AC Input Voltage Range:
120-277 V
120 V input: TRIAC, ELV & 0-10
V dimmable P1
240 & 277 V input: only 0-10
V dimmable



low-profile round canopy
with braided cord



matte black (CM-085)
with matte white interior



distressed brass
(CM-096)



gloss white
(CM-054)

