

### General Product Information



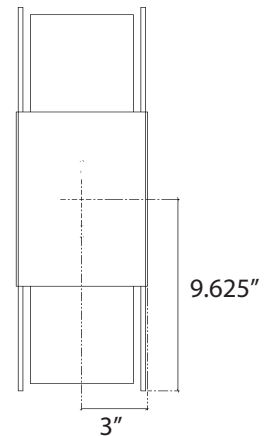
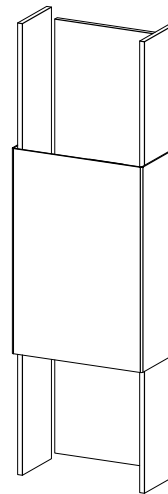
This product is suitable for wet locations.



### CAUTION - RISK OF FIRE



This product requires installation by a qualified electrician. Before installing be sure to read all instructions and **TURN POWER OFF TO THE JUNCTION BOX**



Center location of junction box

### Removing Mounting Plate from Canopy

- 1 Remove the mounting plate from the canopy by unscrewing the thumb nuts.

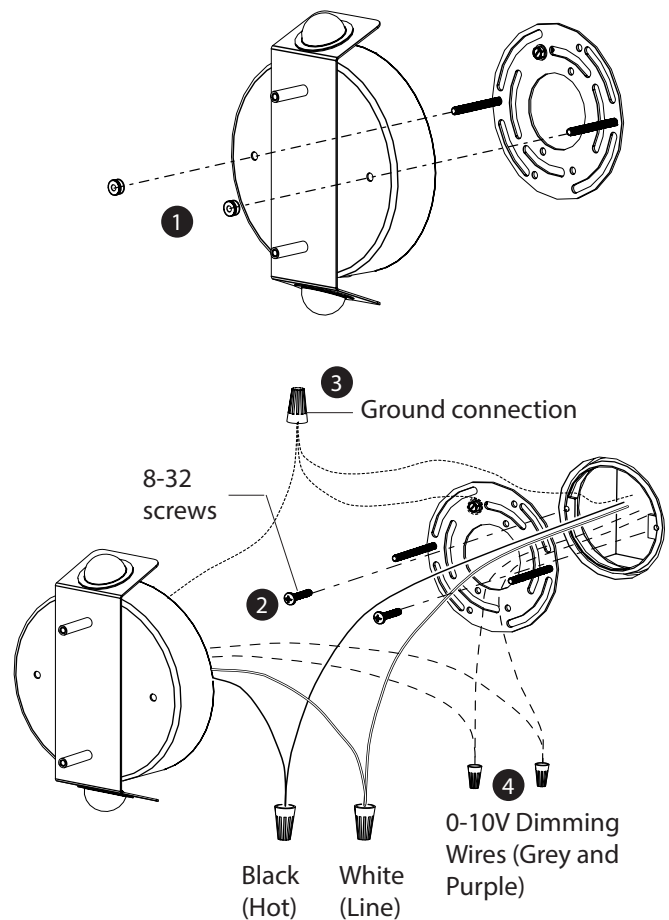
### Wiring Canopy

- 2 Attach the mounting plate to the junction box using the provided 8-32 screws.
- 3 Connect the fixture to ground according to local electrical codes.
- 4 Pull the line voltage wires through the center hole in the mounting plate. Use wire nuts to make connections between the line voltage wires and the driver. Tuck wire nuts into the junction box.

(OPTIONAL) If 0-10V dimming control is to be used, connect purple and grey LED driver leads to the leads from the remote 0-10V dimmer.

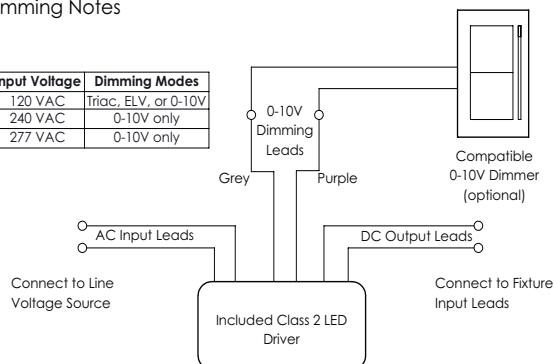
#### CRITICAL NOTE:

If 0-10V dimming is not being used, the tinned ends of the purple and grey LED Driver leads should be snipped off and these leads should be capped individually such that they remain isolated from one another.



#### Dimming Notes

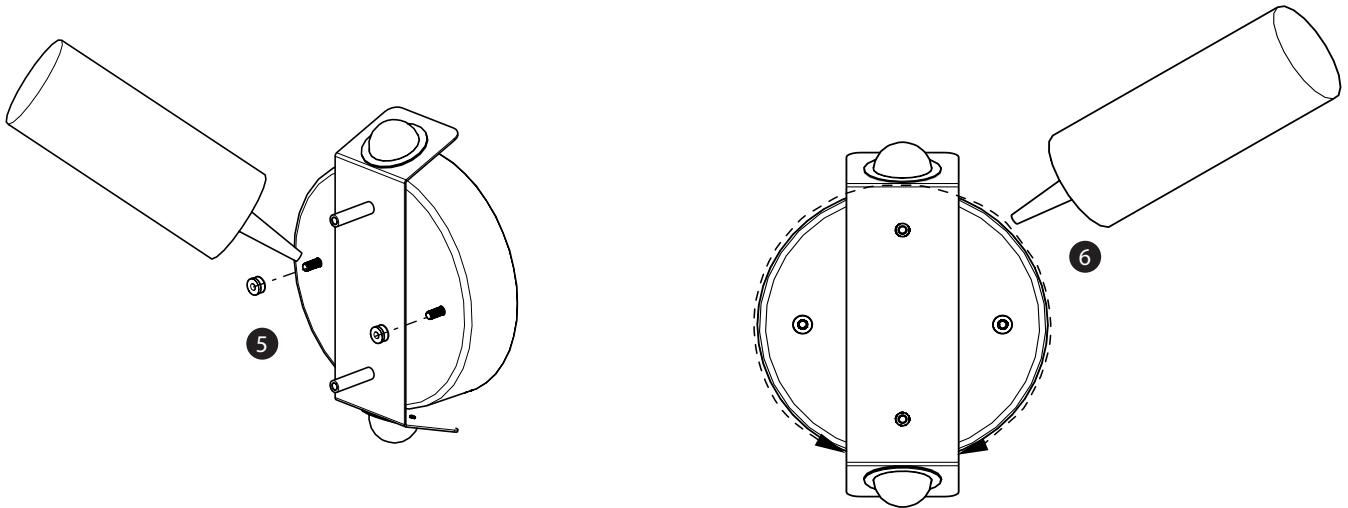
Input Voltage	Dimming Modes
120 VAC	Triac, ELV, or 0-10V
240 VAC	0-10V only
277 VAC	0-10V only



### Attaching Canopy to Wall

(NOTE) Steps 5 and 6 are necessary for installations in wet locations.

- 5 Attach the canopy to the wall with the thumb nuts that were provided. Ensure that the canopy is in the correct orientation by having the canopy pointed in the direction of the arrow on the label. Use weather proof sealant under the thumb nuts when securing the canopy.
- 6 Use the weather proof sealant along the interface where the canopy meets with the wall. Apply the sealant around the canopy indicated by the dashed lines in the figure. Leave a small 1" length portion underneath the canopy without sealant.



### Attaching Shade onto Canopy

- 7 Locate the mounting block on your shade. Align the studs on the canopy with the holes in the mounting block.
- 8 Use a screwdriver to tighten the screws located above and below the mounting block to secure the shade onto the canopy.

