

General Product Information

This product is suitable for indoor dry or damp locations.

This product is to be installed to a standard 4" junction box with 3" round plaster ring or an octagon junction box.



CAUTION - RISK OF FIRE

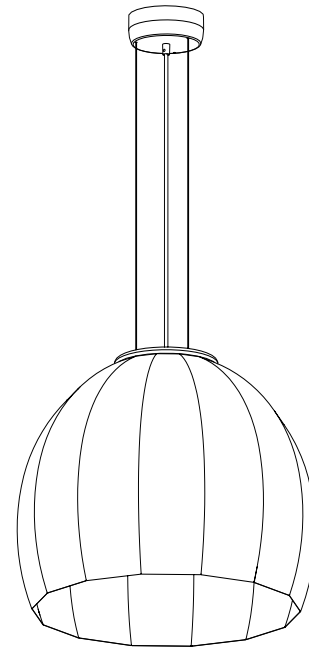


This product requires installation by a qualified electrician. Before installing be sure to read all instructions and **TURN POWER OFF TO THE JUNCTION BOX**

Bulb and Dimmability Notes:

Medium Base (E26): The ability to dim the fixture will depend on the type of bulb selected. The Medium Base (E26) version of this fixture accepts Medium Base (E26) based lamps (not included). Ensure that the lamps do not exceed the maximum rated wattage listed on socket.

LED Version: Fixture can be dimmed with TRIAC or ELV.

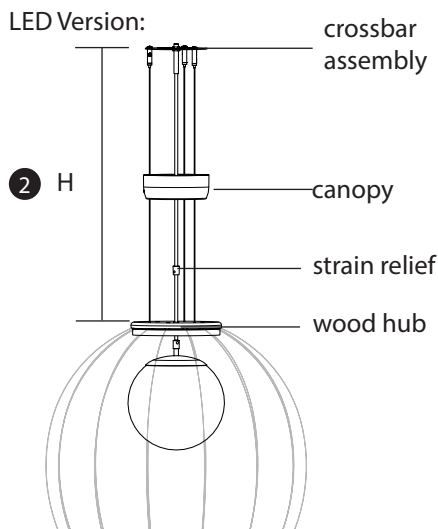


Adjusting the Fixture Height

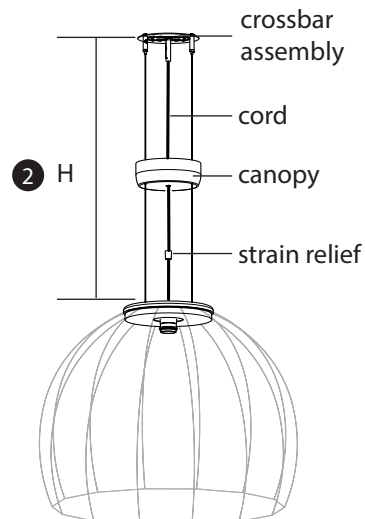
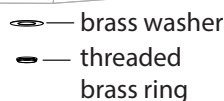
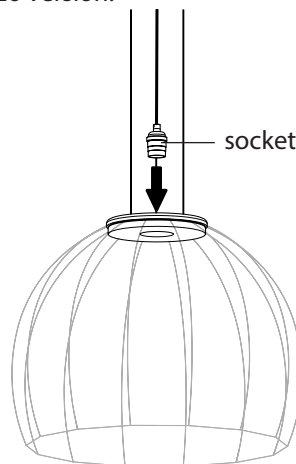
- LED Version:**
Feed the cord from the light source through the wood shade hub, the strain relief, the canopy, and the crossbar assembly.

E26 Version:
Feed the socket through the top of the wood shade hub and place the brass washer over the socket from inside the shade and use the threaded brass ring to secure the socket onto the shade. Feed the cord from the socket through the strain relief, the canopy, and the crossbar assembly.
- Measure the desired height (H) that you want the fixture to hang below the ceiling. Adjust the length of the suspension cables to roughly the desired length by pushing them into the cable grippers located on the crossbar assembly. Final adjustments can be made after the fixture has been mounted.

LED Version:

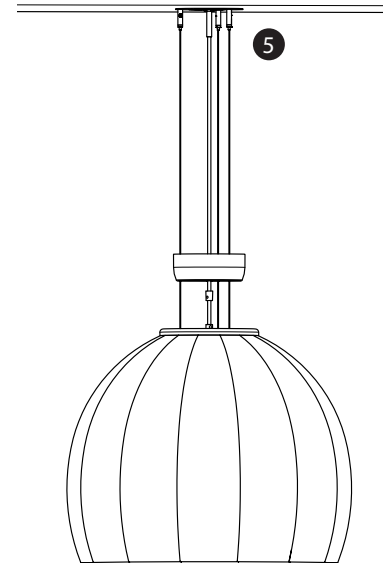
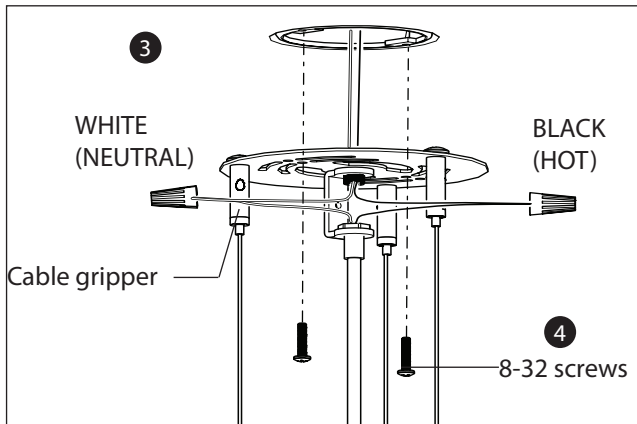


E26 Version:



Electrical Connections and Mounting the Fixture

- 3 Pull the line voltage wires from the junction box. Use wire nuts to make electrical connections between the fixture leads and line service.
- 4 Use the provided 8-32 screws to secure the crossbar assembly to the junction box.
- 5 Level the fixture by making small adjustments to the length of each suspension cable. Pressing the small cylinder on the cable gripper will release the grip on the suspension cable.



Final Steps

- 6 Push the canopy upwards until the canopy is flush with the ceiling. Screw the strain relief onto the threaded tube from the crossbar assembly. Use a screw driver to tighten the set screw on the side of the strain relief until it grips onto the cord.
- 7 E26 Base Version:
Insert the bulb into the fixture

