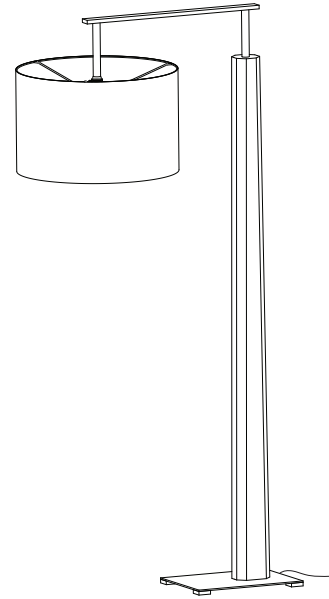


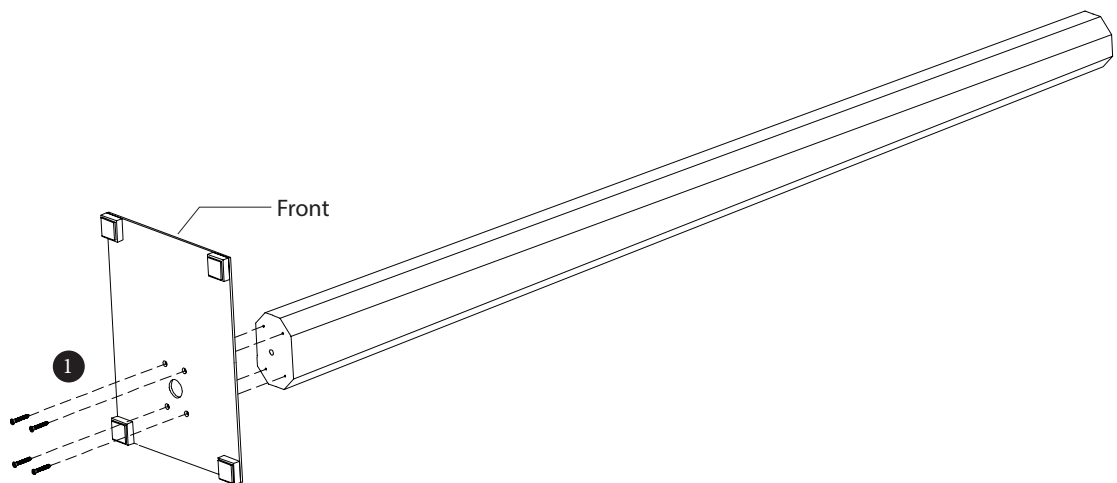
General Product information

This product is suitable for indoor dry locations only.

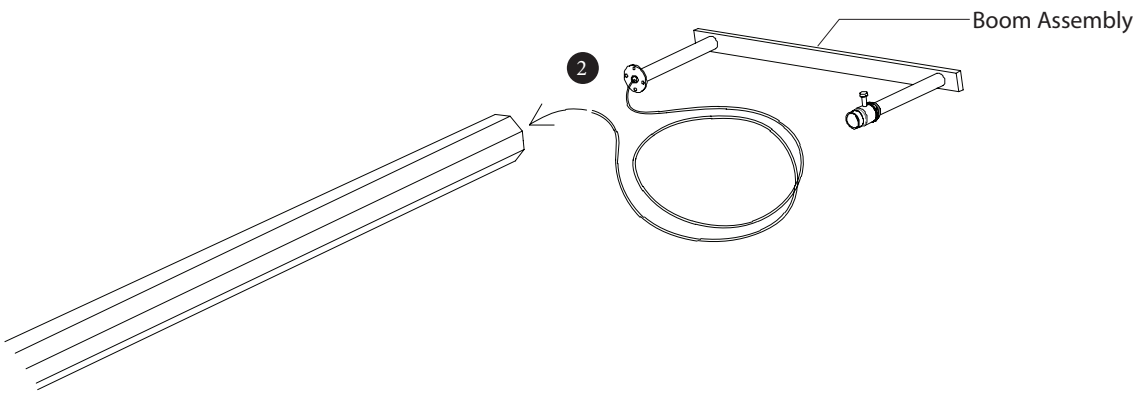
This product can be dimmed on the socket.
Plug the fixture into a non-dimmed outlet.



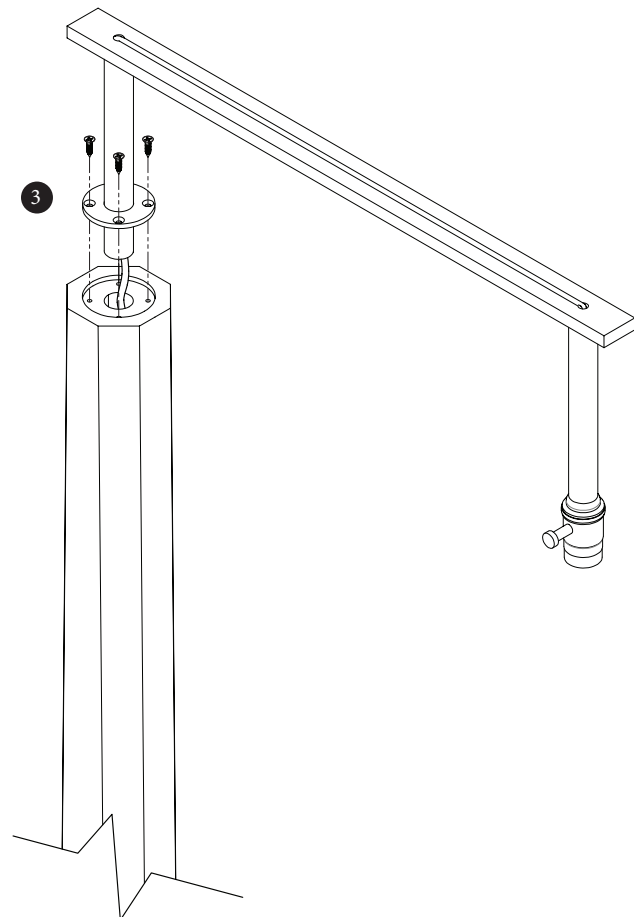
- 1 Align the screw holes and secure the base to the wood mast with provided screws.

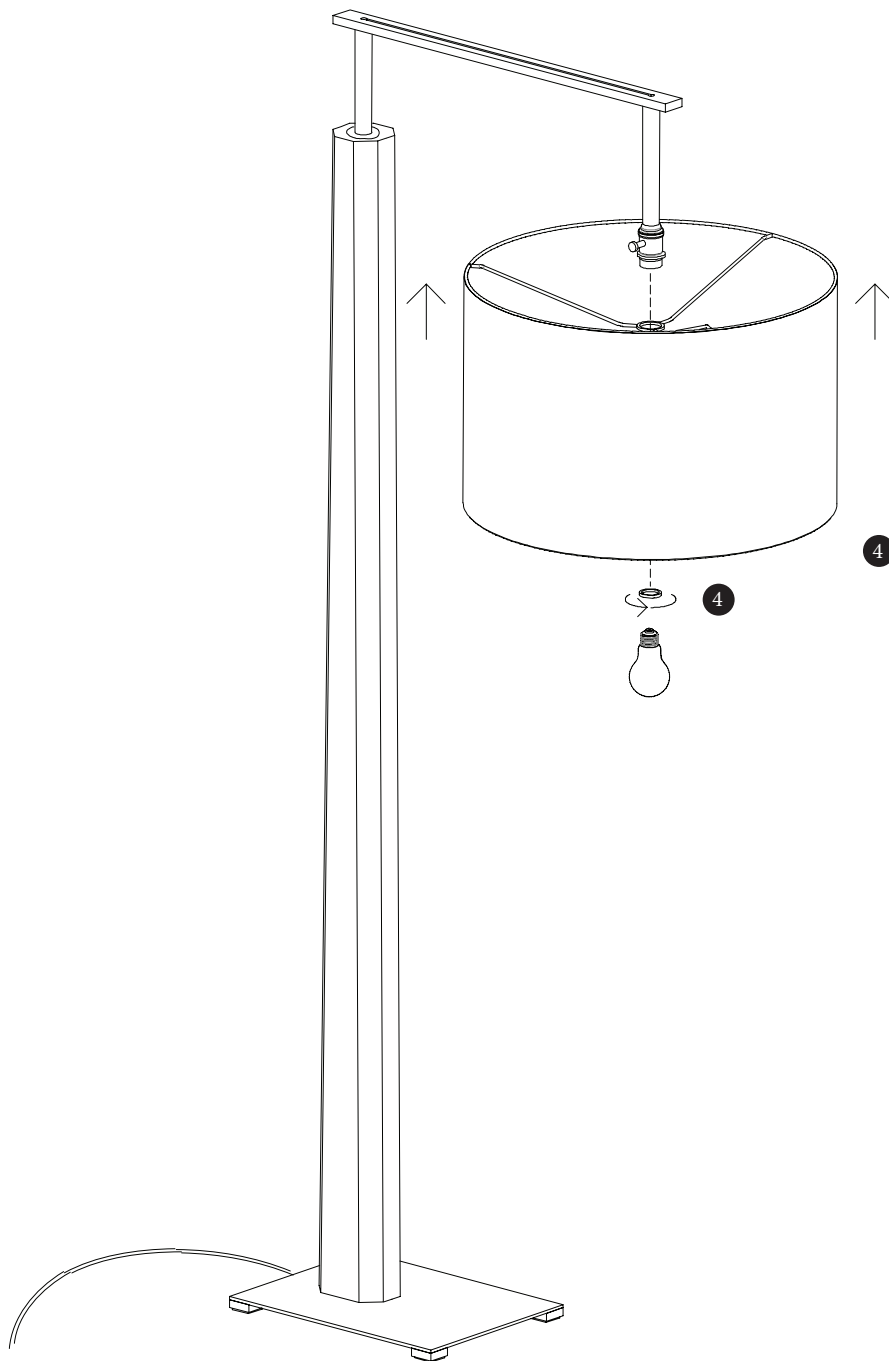


- 2 Feed wire from "boom assembly" into and through the wood body.



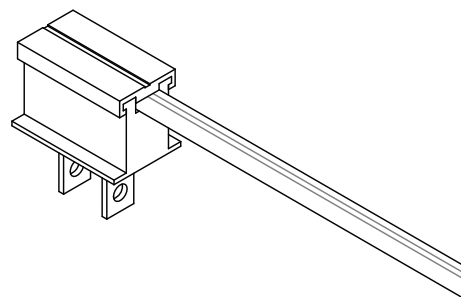
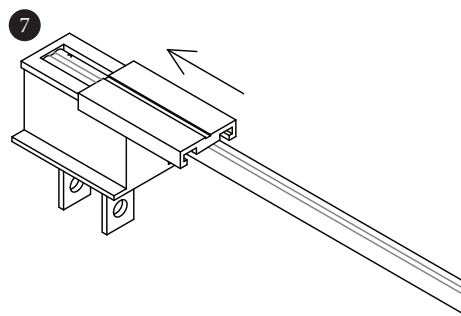
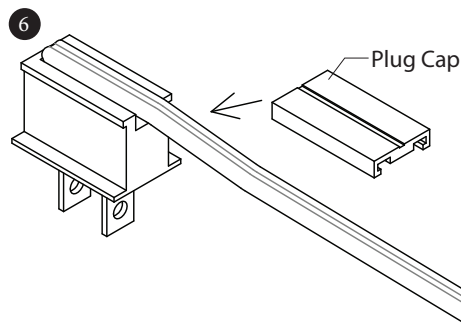
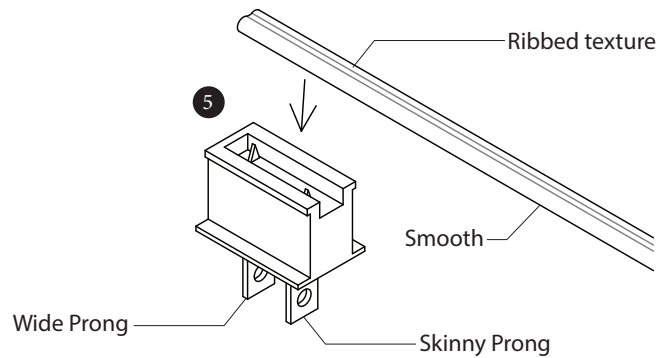
- 3 Feed the cord through the large hole in the base. Align the screw holes and secure the light arm top to the wood mast with provided screws.
*Be aware of orientation. The boom assembly arm aligns with the long part of the metal base.





- 4 Stand the fixture up and slide the shade on to the end of the light arm. Next, screw on the provided metal ring to secure the shade. Then screw in the provided light bulb.

- 5 On the cord provided, you will see that if you hold the cord flat, one side edge is smooth while the other is ribbed. Hold the cord so that the ribbed side will be lined up with the right side of the plug as shown in the graphic below. Once you have done that, set the cord down into the groove so that the cord is nearly flush with the end of the plug groove. Press the cord down so that it is pierced by the sharp prongs.
- 6 Press the plug cap down on to plug at its end.
- 7 Slide plug cap all the way until it is flush with the end of the plug.



IMPORTANT SAFETY INSTRUCTIONS

This portable luminaire has a polarized plug (one blade is wider than the other) as a feature to reduce the risk of electric shock. This plug will fit in a polarized outlet only one way. If the plug does not fit fully in the outlet, reverse the plug. If it still does not fit, contact a qualified electrician. Never use with an extension cord unless plug can be fully inserted. Do not alter the plug.

Care, maintenance instructions

Regularly maintaining your Cerno® product is easy and will help keep it looking beautiful. Scratches can be buffed out in minutes. Wood surfaces will be revitalized with minimal effort every few years.

Your fixture may include materials listed below. Please use these tips to keep your product looking its best.

Walnut: Wood surfaces should be dusted and cleaned with a damp cloth. Every 1 - 3 years, re-oil and wax wood surfaces to maintain the rich wood sheen. Remember to wipe with the wood grain, and remove any excess oil or wax when finished.

Metal Finishes: Everyday cleaning of metal surfaces can be done with a damp cloth.

Shade Material: Burlap, Black and Linen - Blow away dust and dirt particles with compressed air. Avoid using water or a vacuum to clean burlap or linen shades.

Cerno's mission since the company's inception has been to fuse quality, performance and resource efficiency with contemporary design.

Producing environmentally responsible products involves far more details than merely guaranteeing your products energy efficient performance and maintaining eco conscious manufacturing practices. We live in a consumer age characterized by excess and waste, where nearly everything we possess is viewed as disposable, from the cars we drive to the bottle of water you are drinking right now.

At Cerno we aim to provide our customers an opportunity to purchase objects of value to enhance their built environment. We construct our products with integrity that will pass the test of time with the goal of evading a premature trip to the local landfill. All the products are assembled by human hands and endure rigorous testing to assure that our exceptionally high standards of quality are always satisfied.

Warranty

In addition to our two year product defect warranty, Cerno offers a repair service for the life of your product. Every Cerno product is designed and manufactured in the United States which facilitates excellent quality control and easy access to our engineers and service technicians. At Cerno we pride ourselves on delivering products executed with an unparalleled level of craftsmanship. For any reason should our customers have an issue with their orders upon delivery we will repair or replace the item.

In addition to our warranty and quality guarantees, Cerno welcomes customer feedback so please e-mail all comments to info@cernogroup.com