

# TRIANA + TRIANA \_ACCESORIOS

JOAN CINCA  
& DENNIS  
PARK  
2018



# TRIANA



# TRIANA



**CARPYEN**  
BARCELONA

Carpellum70 S.L.  
C/ Pere IV 78-84 E-08005 Barcelona  
T +34 93 320 99 90

Spain: [comercial@carpyen.com](mailto:comercial@carpyen.com)  
Export: [export@carpyen.com](mailto:export@carpyen.com)  
Special project: [antony@carpyen.com](mailto:antony@carpyen.com)

# TRIANA

## Materiales / Materials Matériaux / Matters

Estructura: metal  
Structure: metal  
Structure: métal  
Struktur: Metall



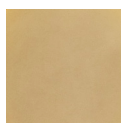
## Acabados / Finishes Finitions / Ausführung



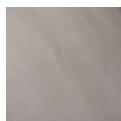
Blanco  
White  
Blanc  
Weiss



Negro  
Black  
Noir  
Schwarz



Oro Mate  
Matt gold  
Or mat  
Mattgold



Níquel mate  
Matt nickel  
Nickel mat  
Nickel matt

## Accesorios / Accessories Accessoires / Zubehör

Doble / Double / Double / Doppel

Triple / Triple / Triple / Triple

Triple circular / Triple circular  
Circulaire triple / Dreifaches kreis

## LED

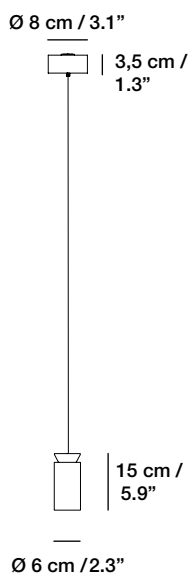
GU10 LED  
10 W / 220-240 V / 50-60 Hz  
900 Lumen / 3000 K

Dimerizable bajo pedido  
Dimming upon request  
Dimmable sur demande  
Dimmen auf Anfrage



Bombilla incluida / Bulb included /  
Ampoule incluse / Glühbirne enthalten

## Medidas / Measures / Measurements / Mittengun



# TRIANA ACCESORIOS



# TRIANA ACCESORIOS



**CARPYEN**  
BARCELONA

Carpylum70 S.L.  
C/ Pere IV 78-84 E-08005 Barcelona  
T +34 93 320 99 90

Spain: [comercial@carpyen.com](mailto:comercial@carpyen.com)  
Export: [export@carpyen.com](mailto:export@carpyen.com)  
Special project: [antony@carpyen.com](mailto:antony@carpyen.com)

# TRIANA ACCESORIOS

## TRAIT

smooth and clean texture, with creamy sensation.

### TEA

00	<i>thee van evermore</i>	2,60
30	<i>jasmin</i>	3,10
20	<i>verse muntthee</i>	2,70
60	<i>verse gemberthee</i>	2,90

### COLD

40	<i>bos ice tea</i>	3,40
10	<i>appelsap</i>	2,70
40	<i>wisselende smoothie</i>	4,10



# TRIANA ACCESORIOS



**CARPYEN**  
BARCELONA

Carpylum70 S.L.  
C/ Pere IV 78-84 E-08005 Barcelona  
T +34 93 320 99 90

Spain: [comercial@carpyen.com](mailto:comercial@carpyen.com)  
Export: [export@carpyen.com](mailto:export@carpyen.com)  
Special project: [antony@carpyen.com](mailto:antony@carpyen.com)



# TRIANA ACCESORIOS

## Materiales / Materials Matériaux / Matters

Estructura: metal  
Structure: metal  
Structure: métal  
Struktur: Metall

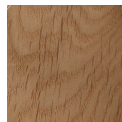
## Paneles / Panels Panneaux / Platten



Blanco  
White  
Blanc  
Weiss



Negro  
Black  
Noir  
Schwarz



Roble natural  
Natural oak  
Chêne naturel  
Natürliche Eiche

## Accesorios / Accessories Accessoires / Zubehör

Triple lineal / Triple linear  
Triple linéaire / Lineares Dreifach

Triple circular / Triple circular  
Circulaire triple / Dreifaches kreis

Lineal recto / Linear straight  
Linéaire droit / Gerade linear

Lineal zig-zag / Linear zig-zag  
Linéaire zig-zag / Linearer Zick-Zack

Plafón circular 3, 5, 7, 9, 11 o 15 lámparas  
Circular canopy 3, 5, 7, 9, 11 or 15 lamps  
Pavilion circulaire de 3, 5, 7, 9, 11 ou 15 lampes  
Runde Deckenleuchte 3, 5, 7, 9, 11 oder 15 Lampen

## LED

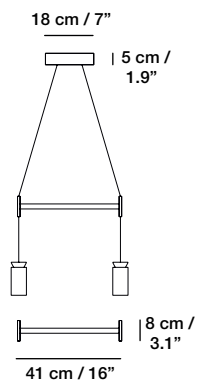
GU10 LED  
10 W / 220-240 V / 50-60 Hz  
900 Lumen / 3000 K



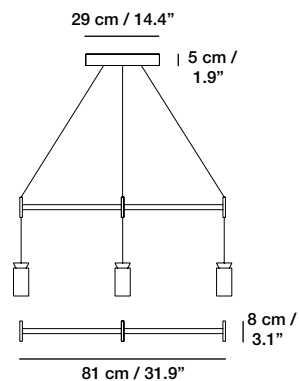
Bombilla incluida / Bulb included /  
Ampoule incluse / Glühbirne enthalten

## Medidas / Measures / Measurements / Mittengun

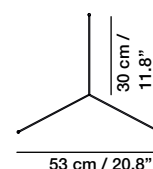
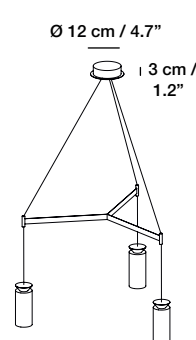
Doble / Double / Double / Doppelt



Triple / Triple / Tripler / Dreifach



Triple circular / Triple circular / Triple circulaire / kreisförmig Dreifach



**CARPYEN**  
BARCELONA

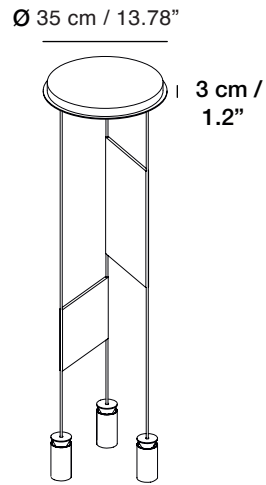
Carpylum70 S.L.  
C/ Pere IV 78-84 E-08005 Barcelona  
T +34 93 320 99 90

Spain: comercial@carpyen.com  
Export: export@carpyen.com  
Special project: antony@carpyen.com

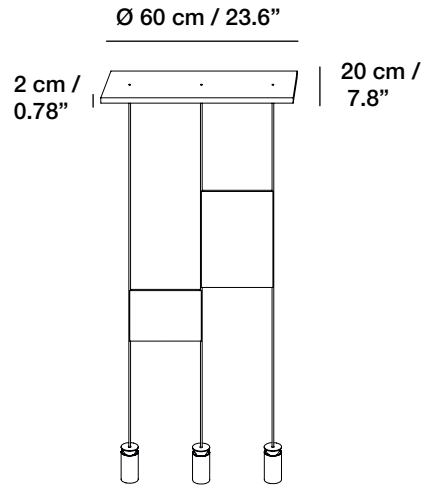
# TRIANA ACCESORIOS

Medidas / Measures / Measurements / Mittengun

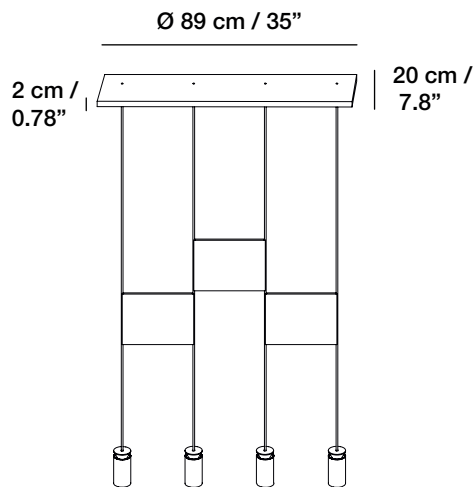
Florón circular A3 / Circular canopy A3



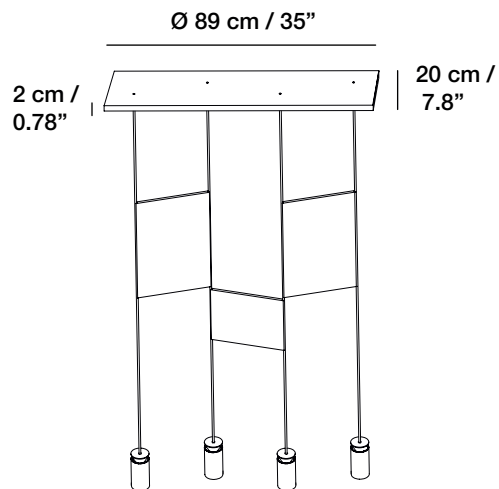
Florón rectangular B3 / Rectangular canopy B3



Florón rectangular B4 / Rectangular canopy B4



Florón zig-zag C4 / Canopy zig-zag C4



Paneles de madera / Wood panels

